

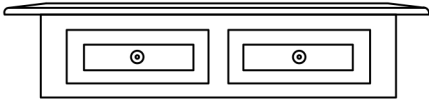
831-094



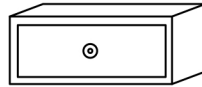
Please read these instructions and warranty information carefully before use and keep them properly for future reference.

OPERATING INSTRUCTIONS

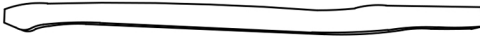
Part List



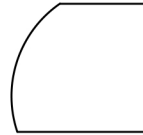
A 1pc



B 2pcs



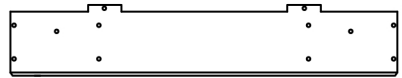
C 4pcs



D 4pcs



E 1pc



F 1pc



G M2x10mm 4pcs



H M5x20mm 2pcs



J M6x30mm 14pcs



K M8x50mm 8pcs



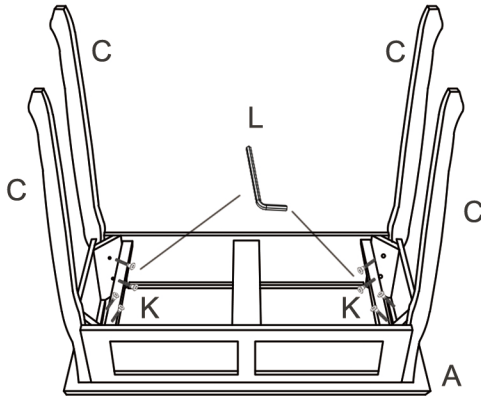
L 1pc



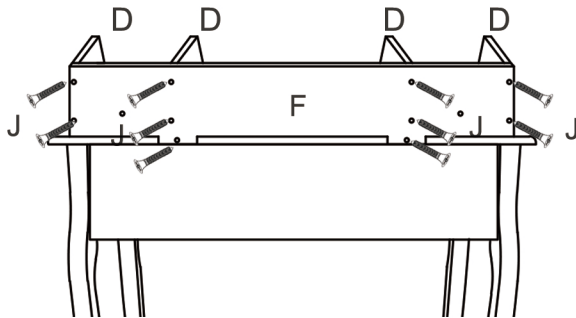
M 2pcs

Assembly Instructions

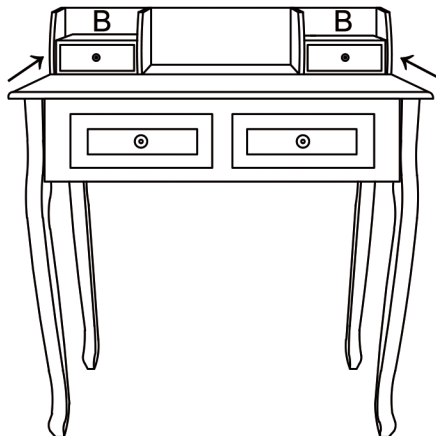
STEP 1



STEP 2

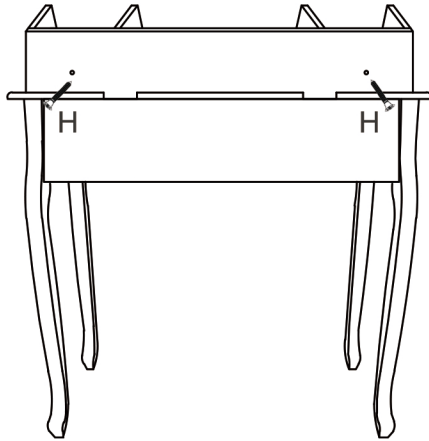


STEP 3

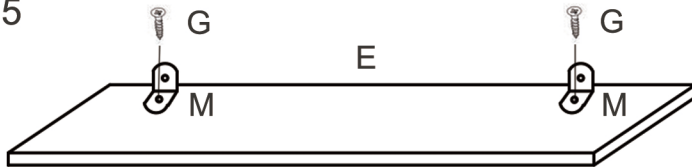


Assembly Instructions

STEP4



STEP5



STEP6

