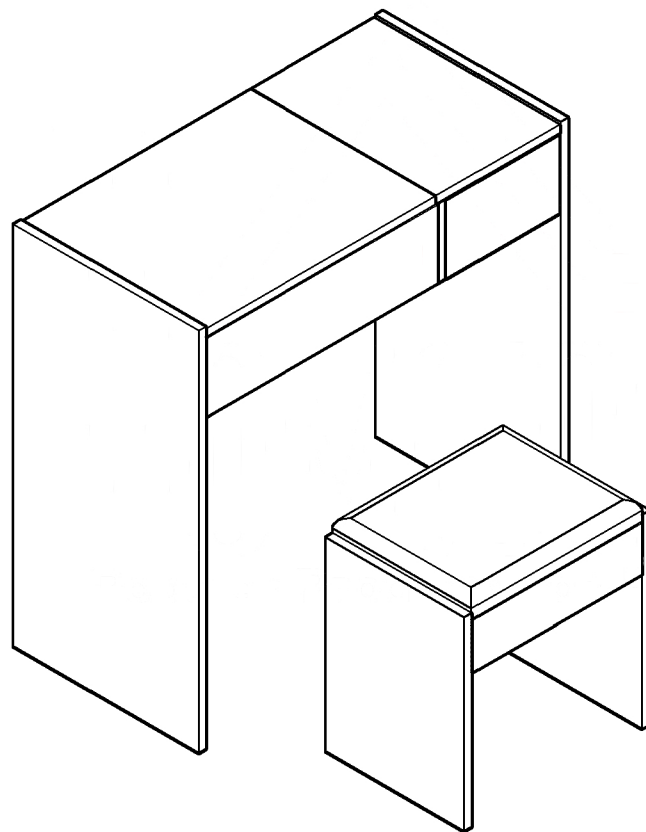
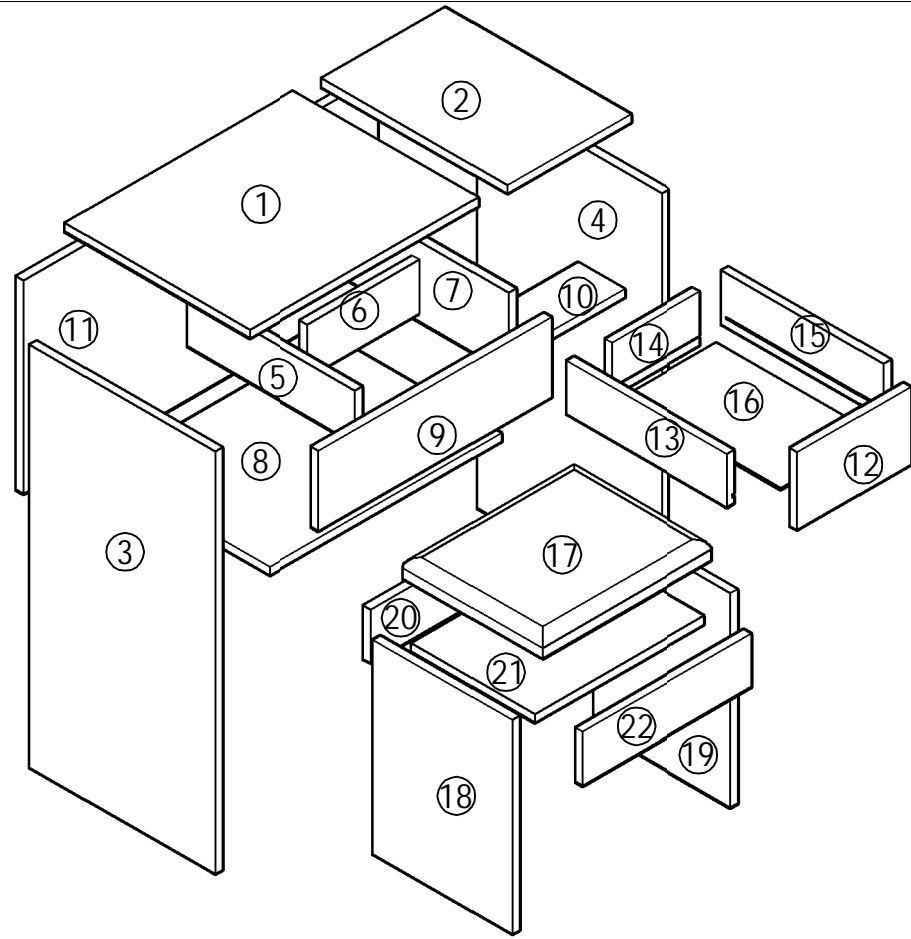
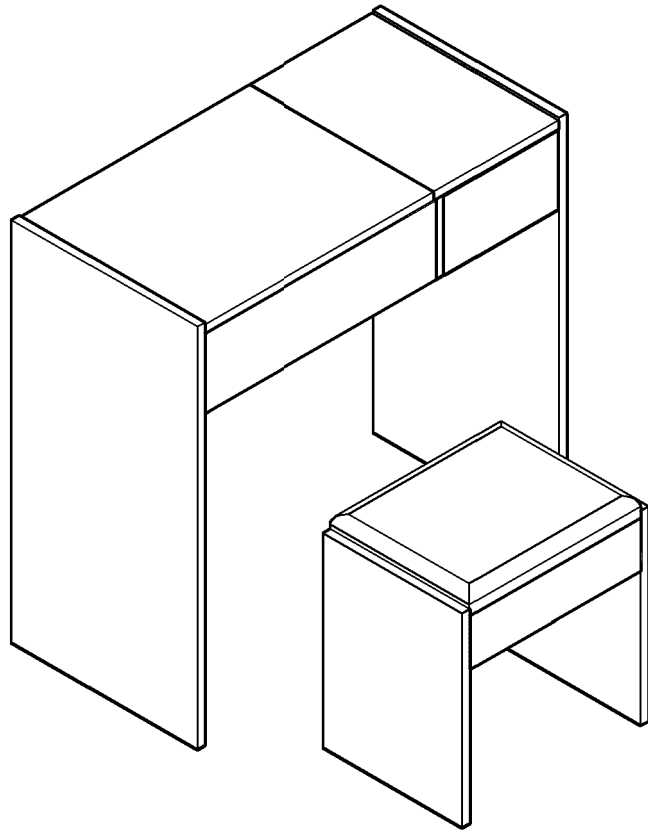

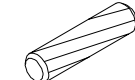
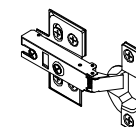
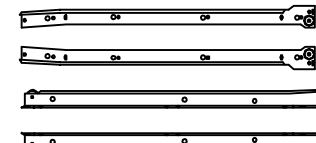
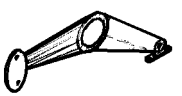
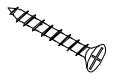





831-193/831-194

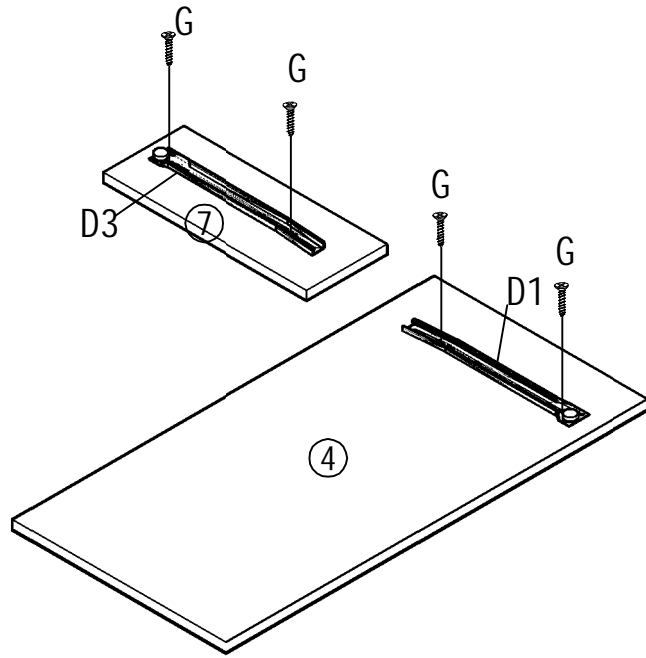


ASSEMBLY INSTRUCTION



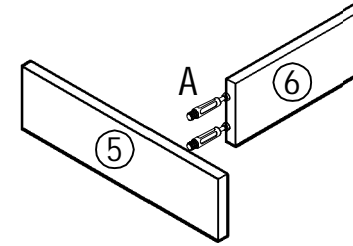
<p>A 38pcs +2</p> 	<p>B 20pcs +2</p> 	<p>C 2pcs</p> 	<p>D 1pc</p>  <p>D1 D3 D2 D4</p>	
<p>E 1pc</p> 	<p>F 4pcs +2</p> 	<p>G 20pcs +2</p> 	<p>H 8pcs +2</p> 	<p>I 8pcs</p>  <p>I1 I2</p>

1



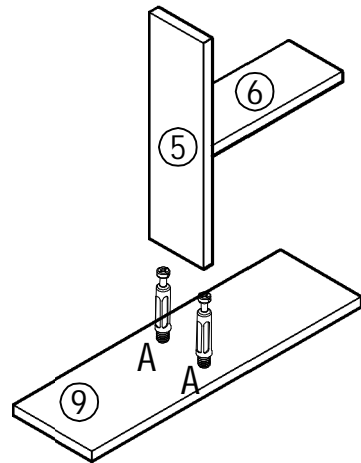
Gx4 D1x1 D3x1

2



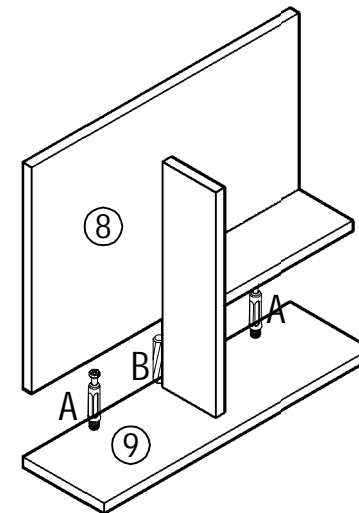
Ax2

3



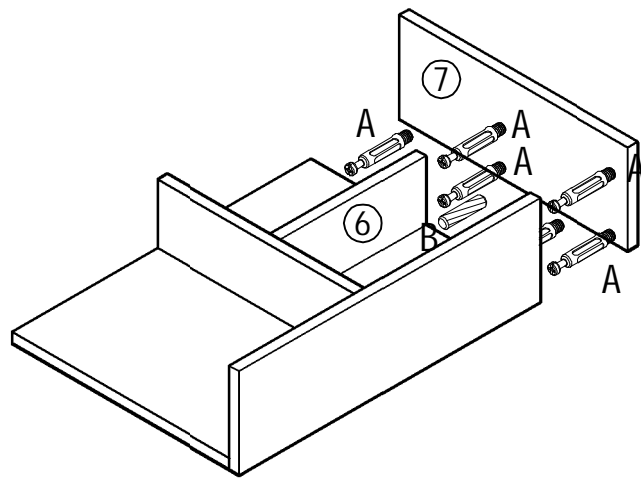
Ax2

4



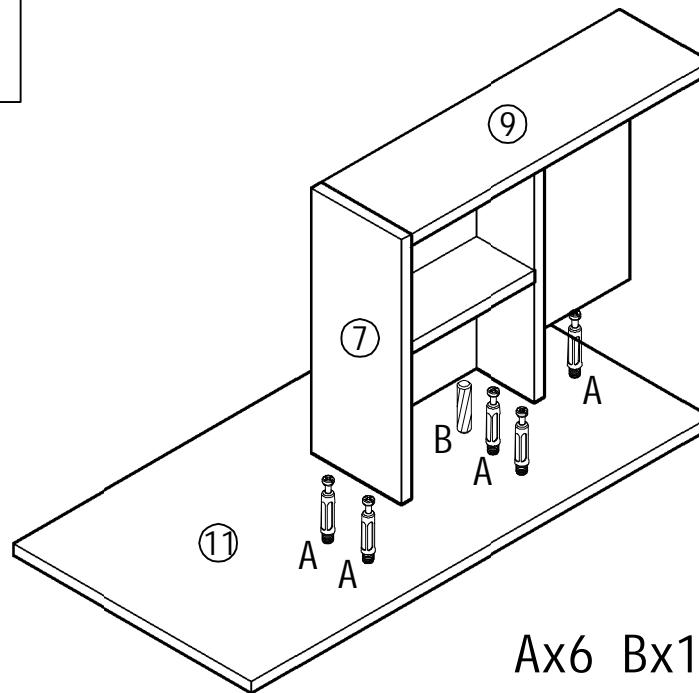
Ax2 Bx1

5



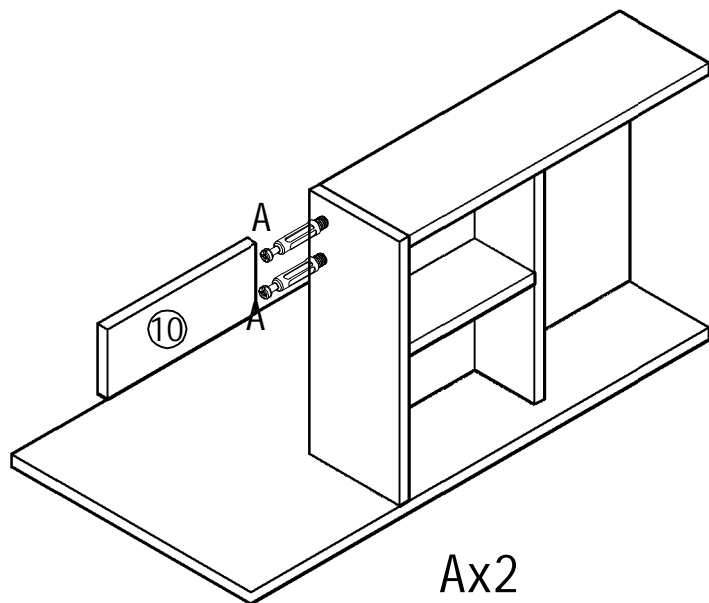
Ax6 Bx1

6



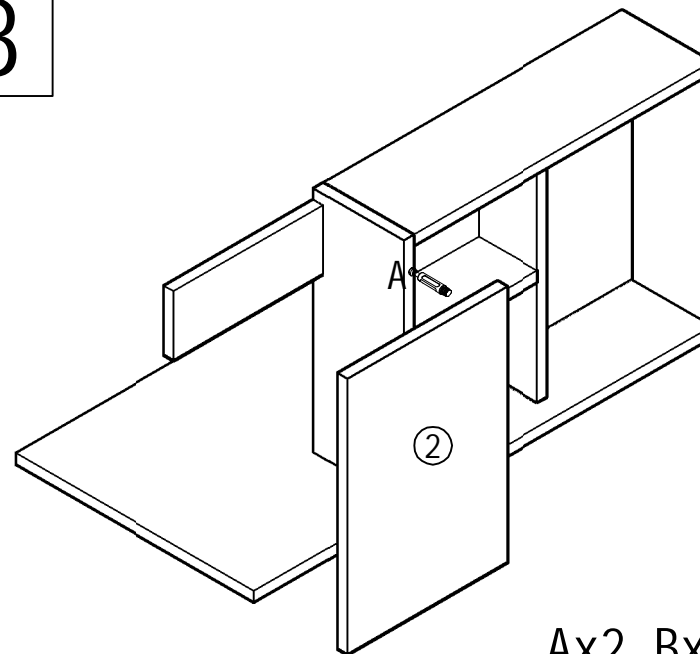
Ax6 Bx1

7



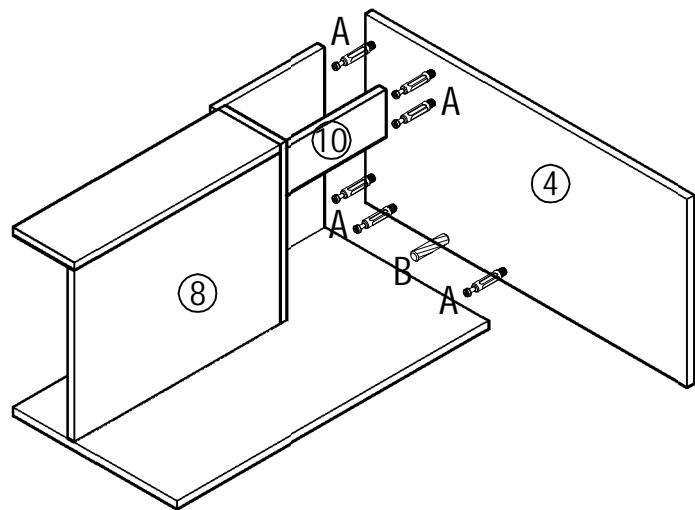
Ax2

8



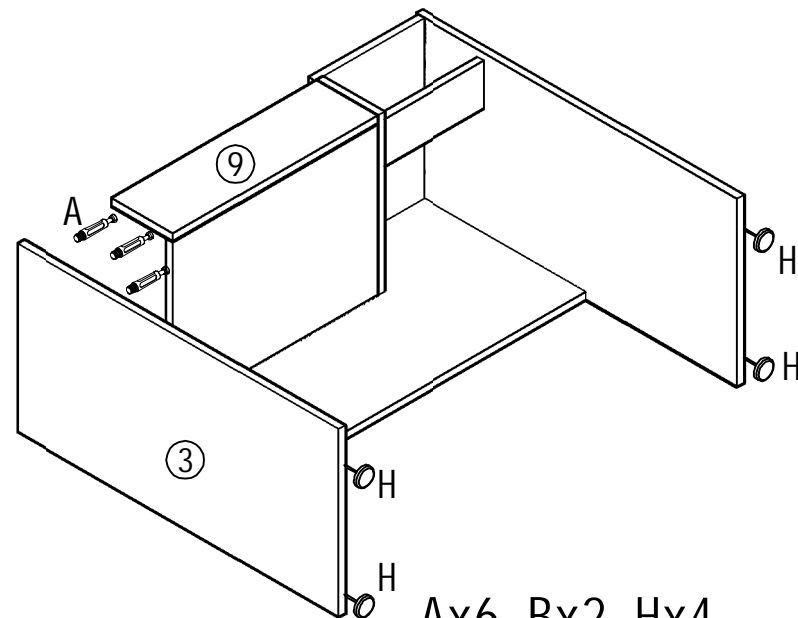
Ax2 Bx1

9



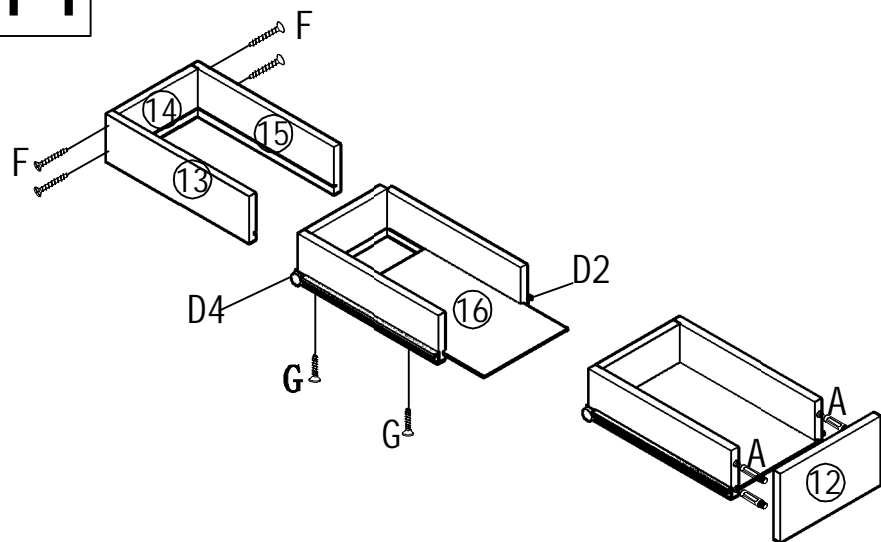
Ax6 Bx2

10



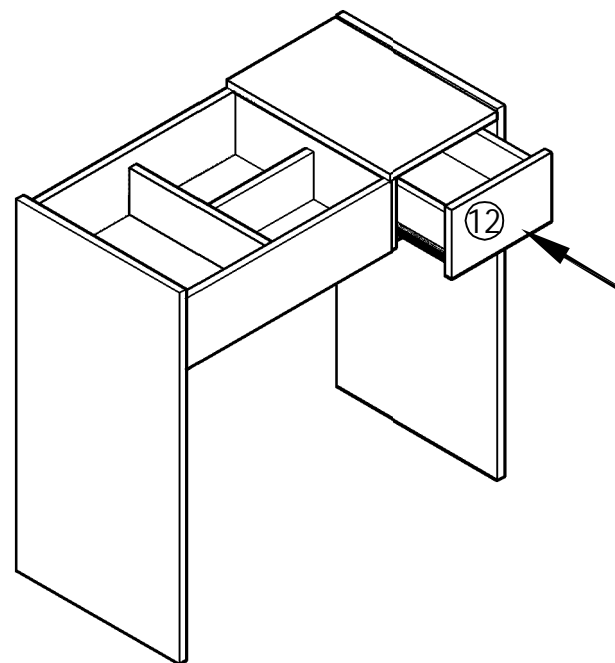
Ax6 Bx2 Hx4

11

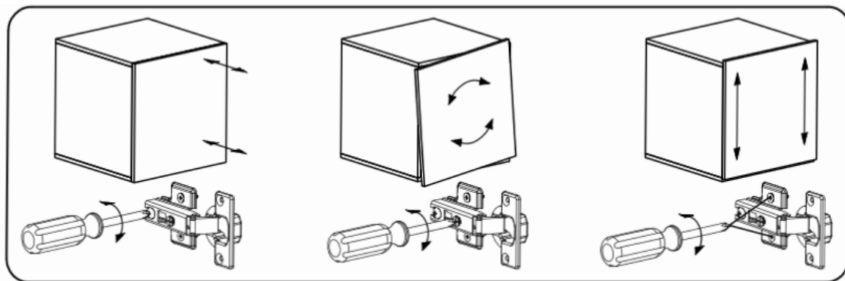
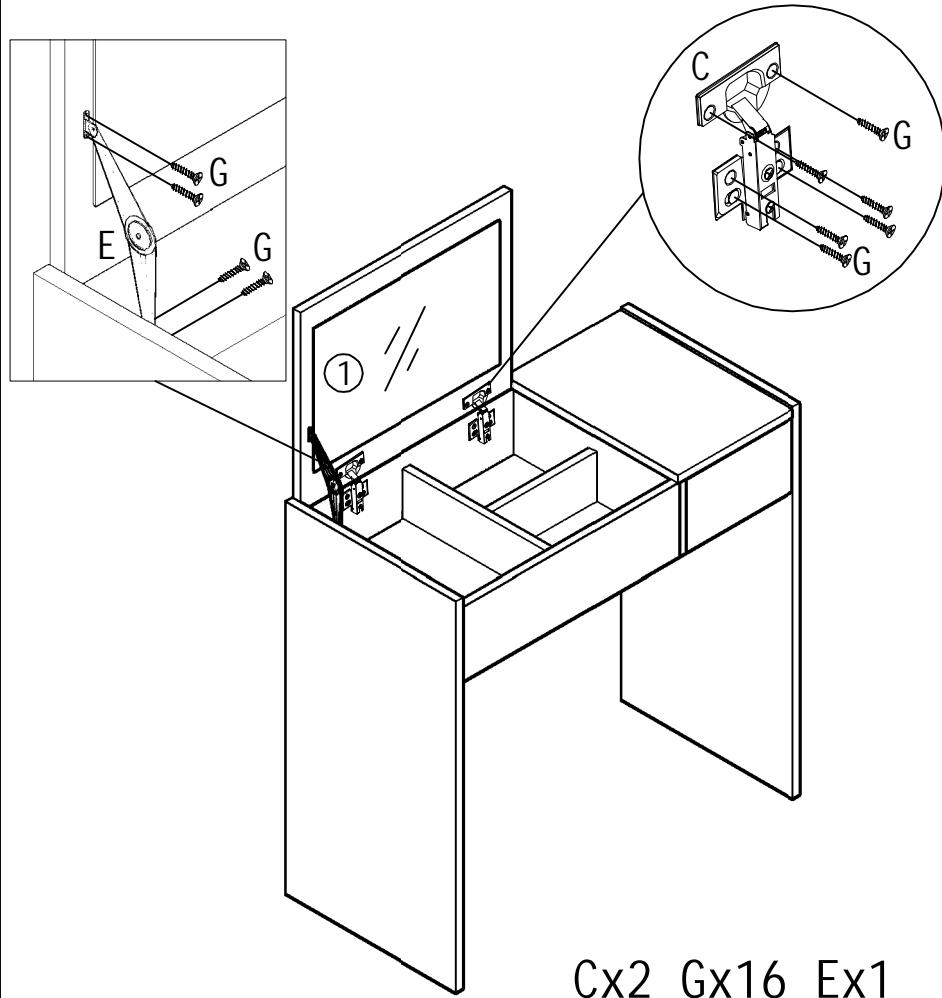


Ax4 Fx4 Gx4 D2x1 D4x1

12



13



14

