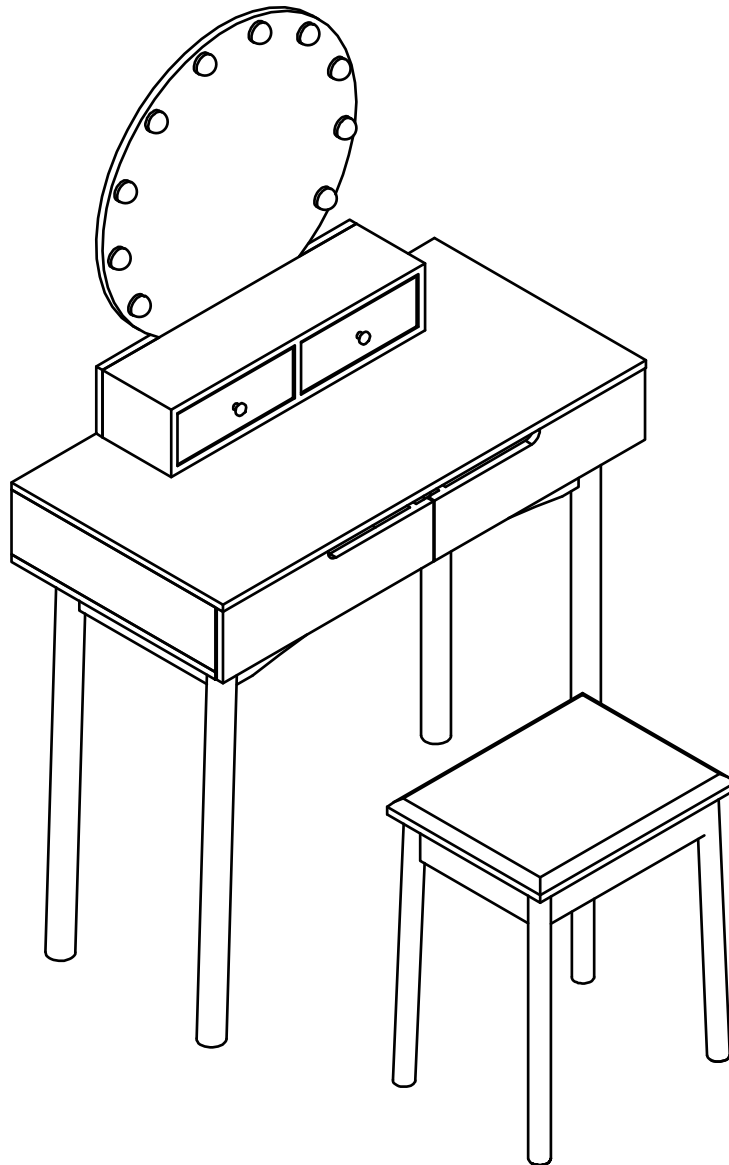


831-313

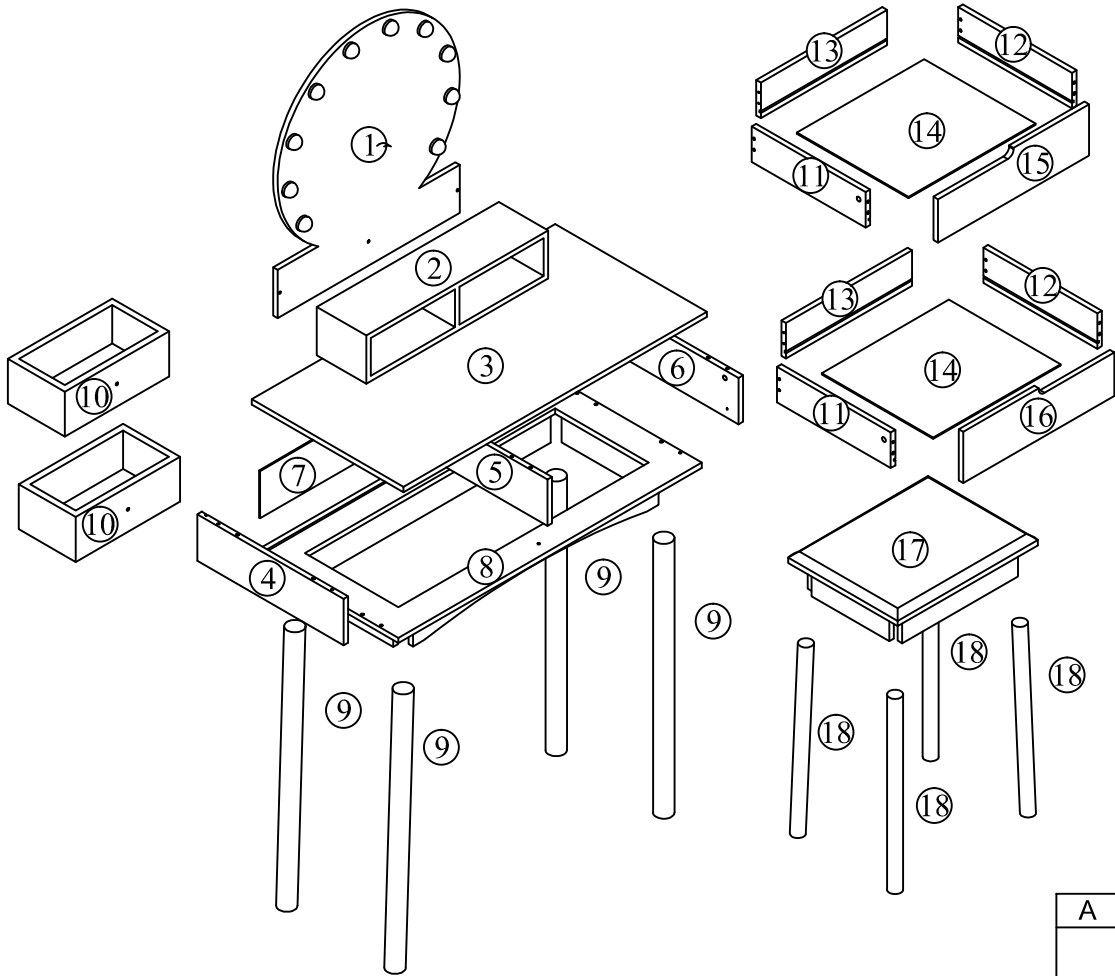
C000000

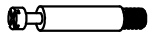



Please read these instructions and warranty information carefully before use and keep them properly for future reference.

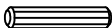


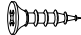
**OPERATING INSTRUCTIONS**





A	x 10
	


B	x 10
	


C	x 14
	
Φ6X30mm	


D	x 24
	
Φ3X12mm	

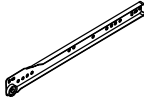
E	x 19
	
Φ4X35mm	

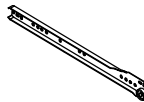
F	x 2
	
Φ4X25mm	


G	x 2
	
Φ4X14mm	

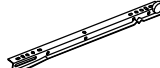
H	x 16
	
Φ6X45mm	


I	x 2
	

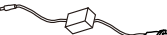
J	x 2
	


K	x 2
	

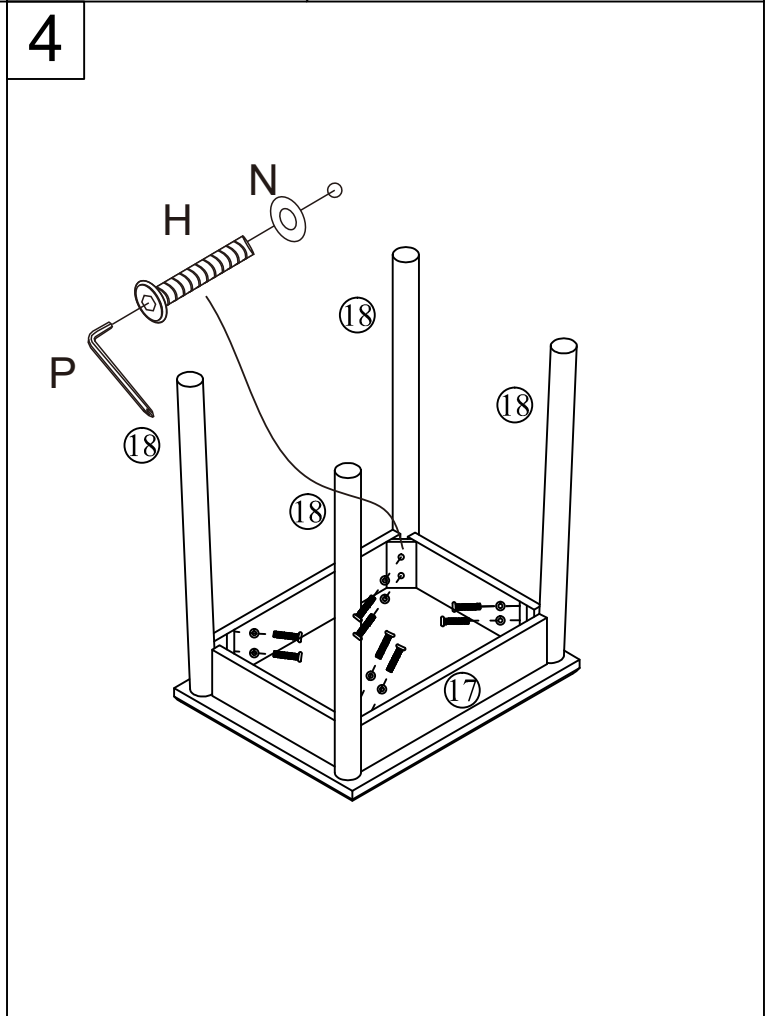
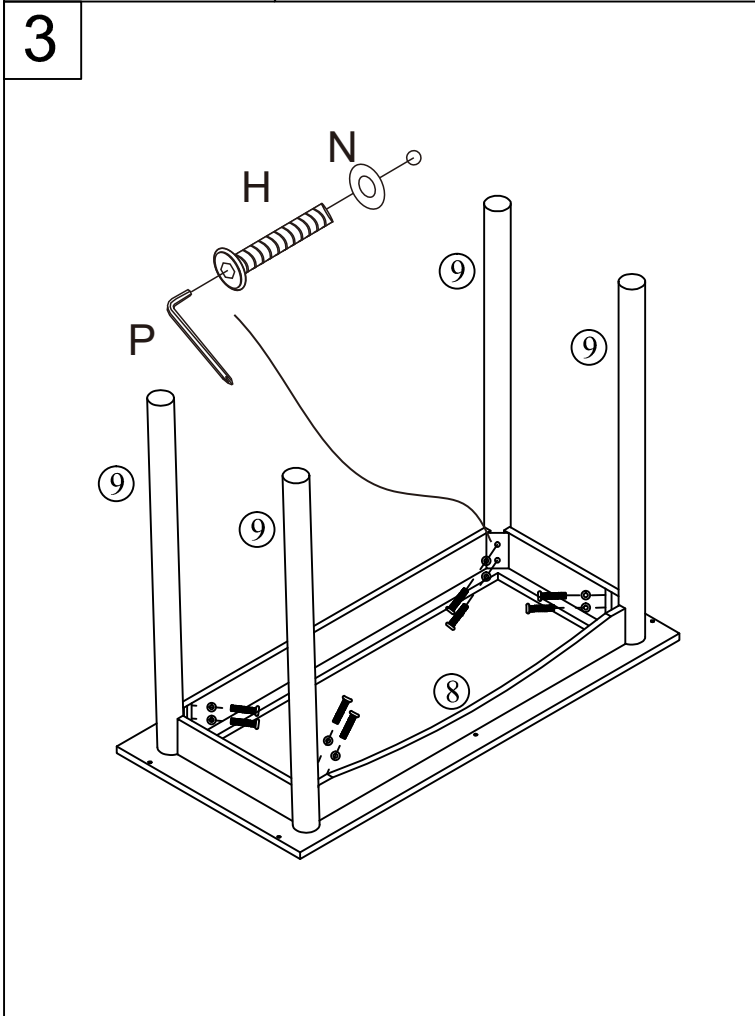
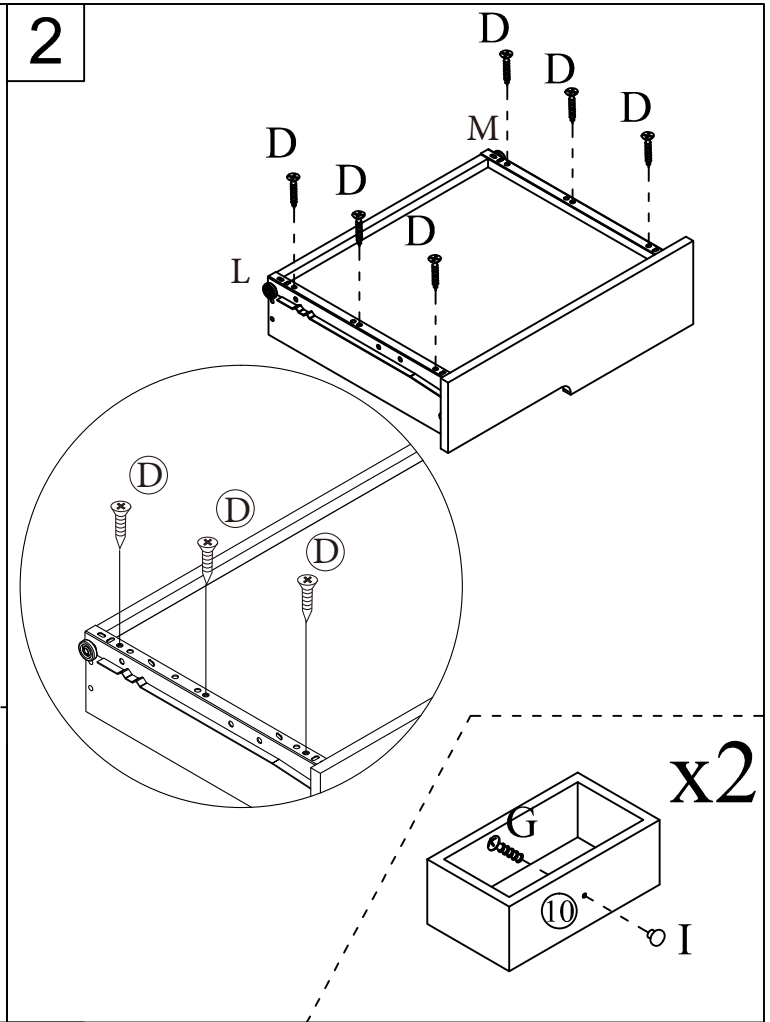
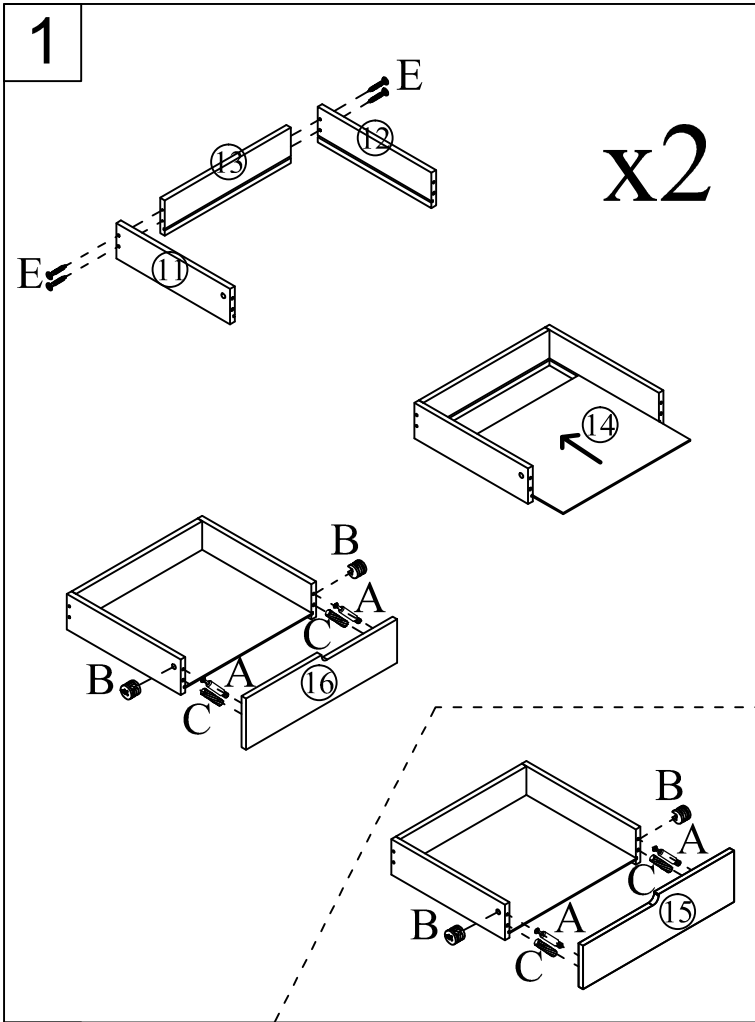
L	x 2
	

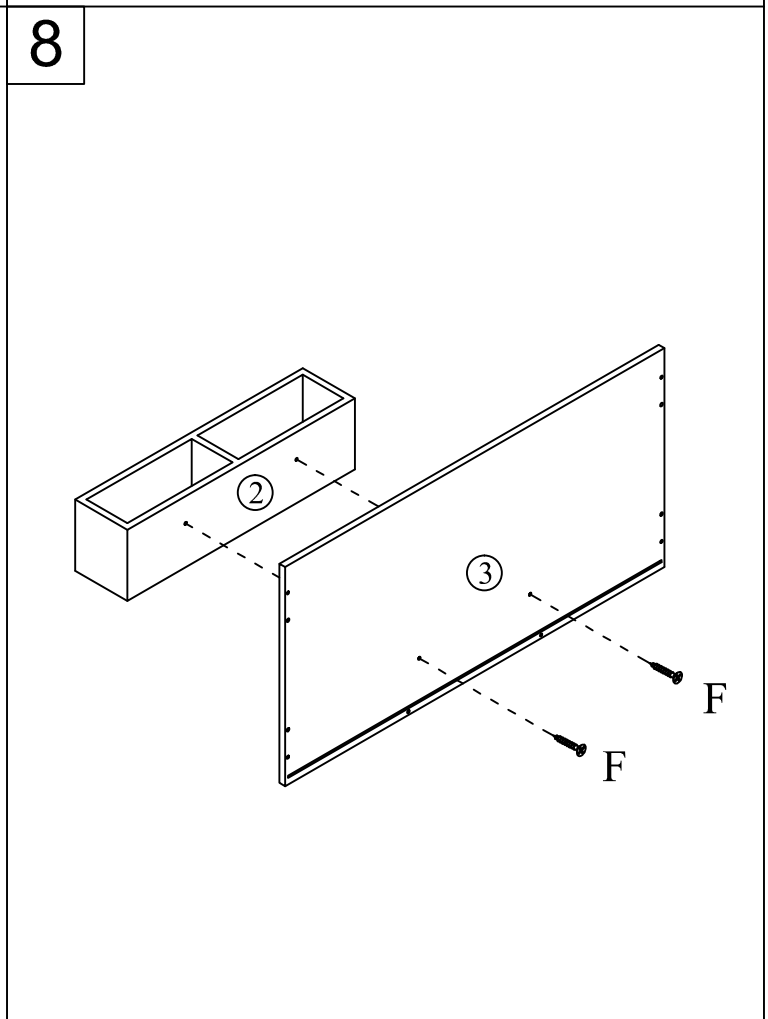
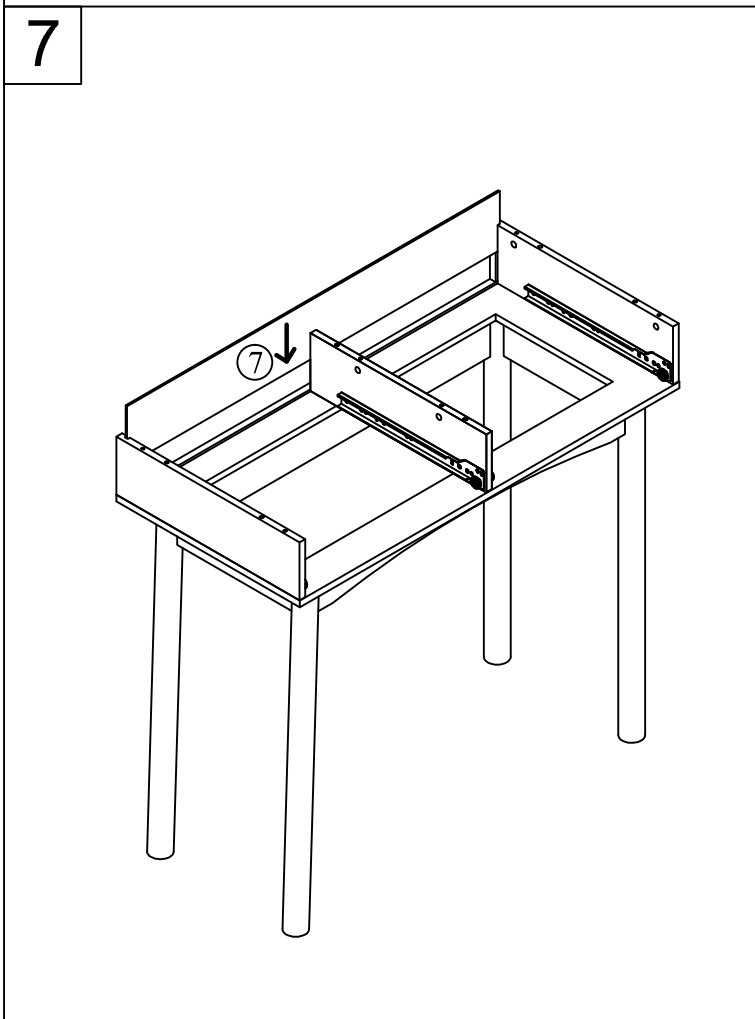
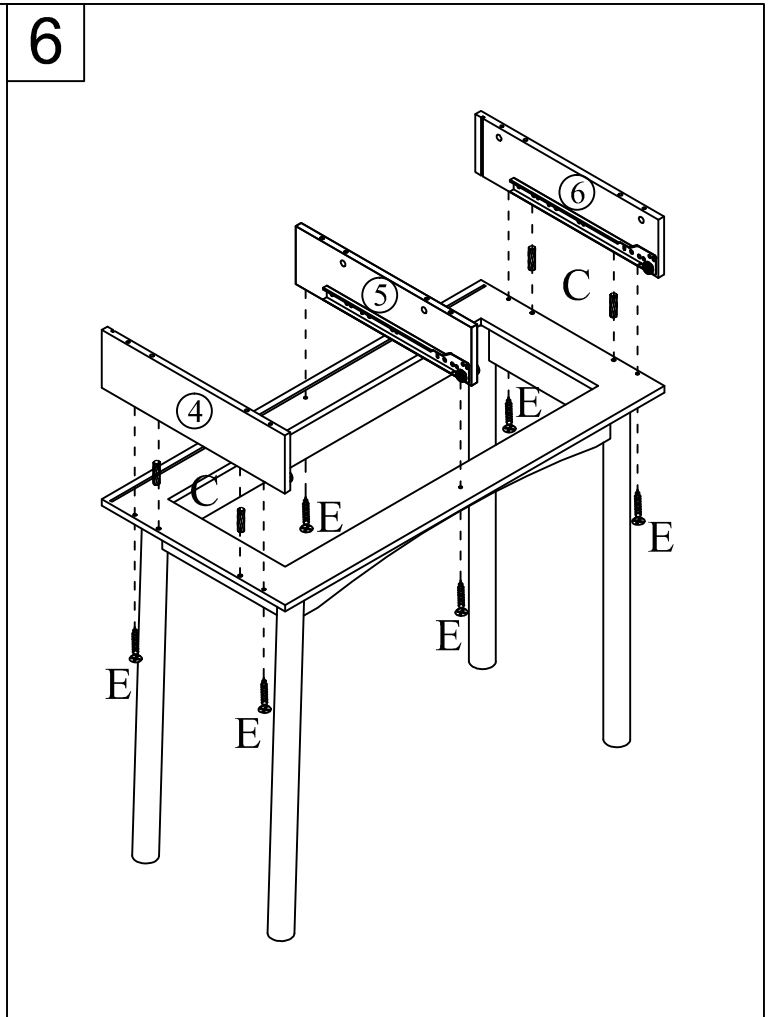
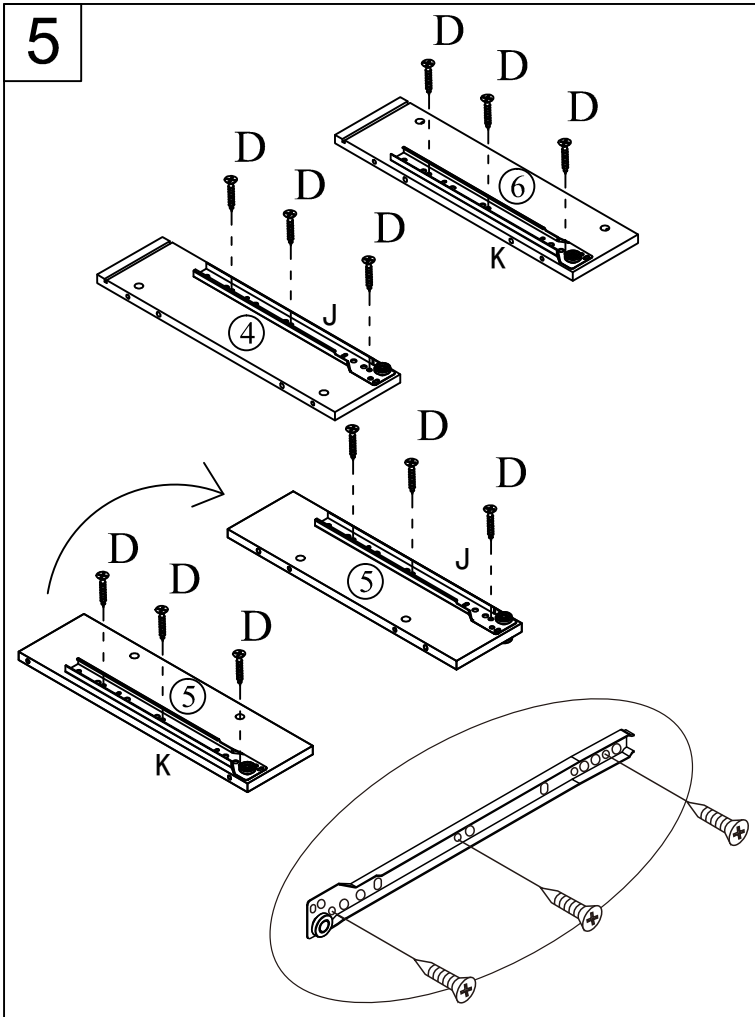
M	x 2
	

N	x 16
	

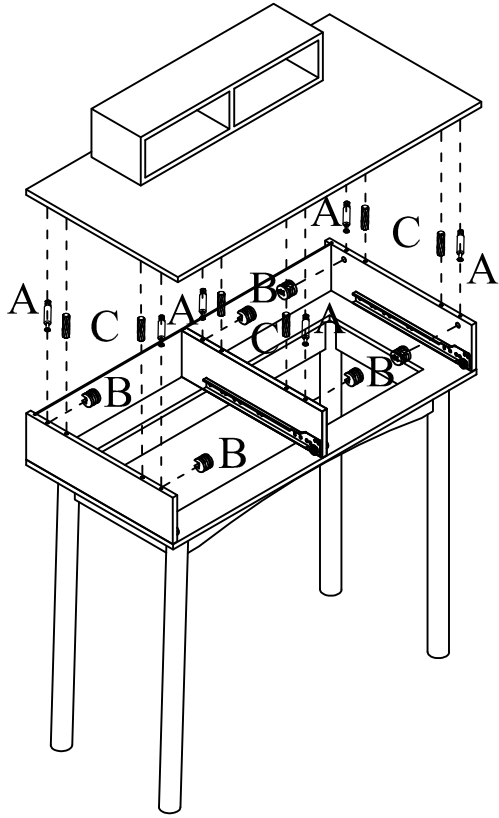
O	x 1
	

P	x 1
	

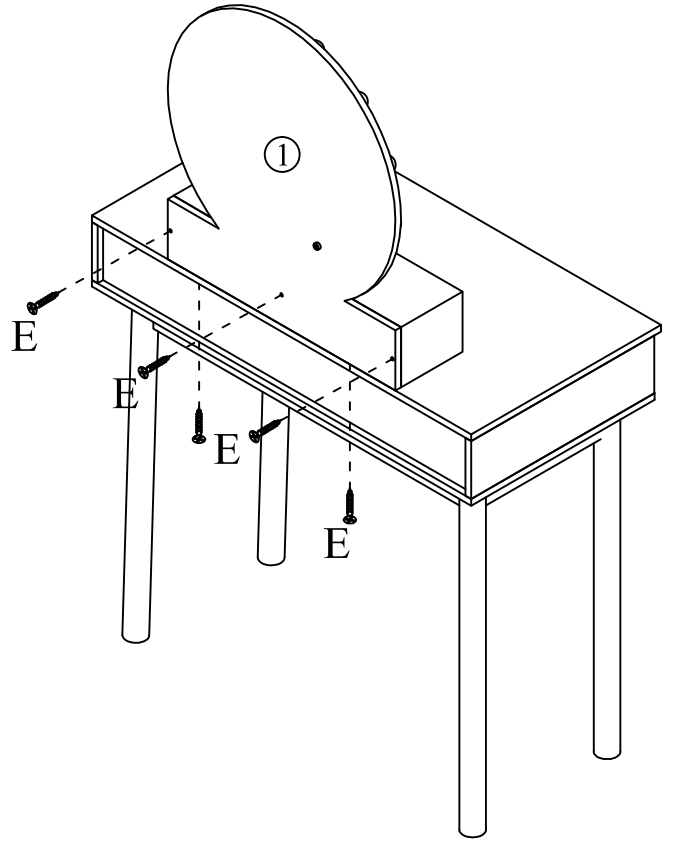




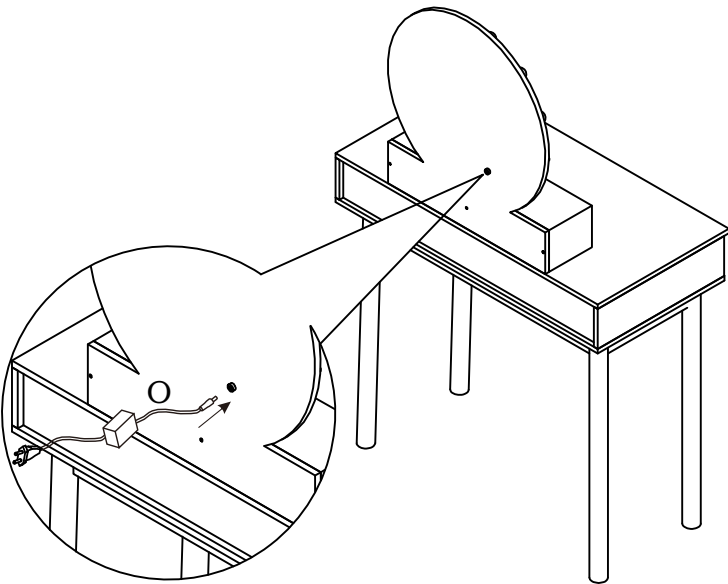
9



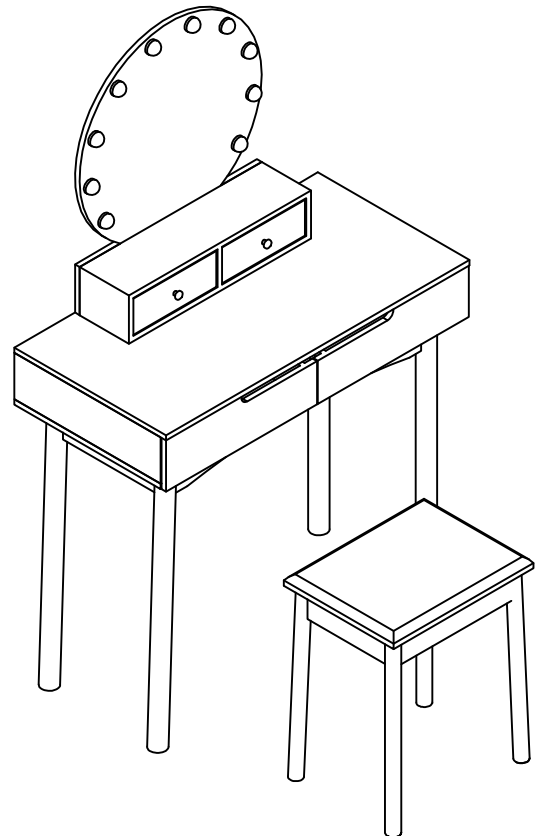
10



11



12



US



001-877-644-9366  
customerservice@aosom.com

CA



001-855-537-6088  
customerservice@aosom.ca

UK



0044-800-240-4004  
enquiries@mhstar.co.uk

DE



0049-(0)40-88307530  
service@aosom.de

FR



0033-1-84166106  
contact@aosom.fr

ES



0034-931294512  
atencioncliente@aosom.es

IT



0039-0249471447  
clienti@aosom.it