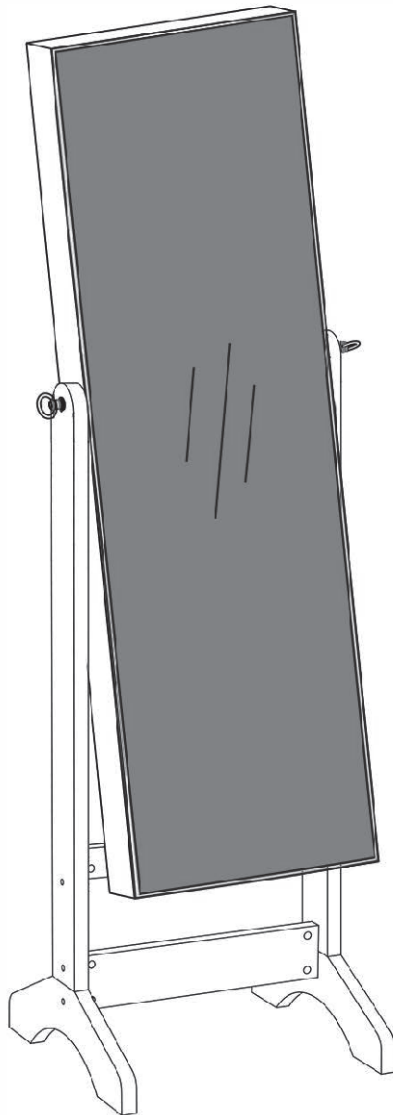




INcra095V01\_GL

**831-462\_831-462V80**

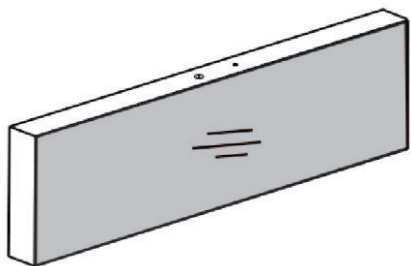


**IMPORTANT, RETAIN FOR FUTURE REFERENCE: READ CAREFULLY**

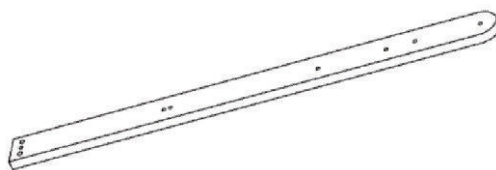
**ASSEMBLY & INSTRUCTION MANUAL**

**PARTS**

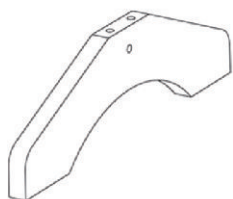
**A** x 1



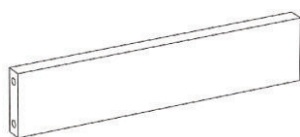
**B** x 2



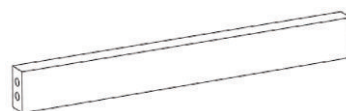
**C** x 2



**D** x 1

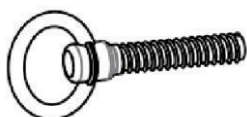


**E** x 1

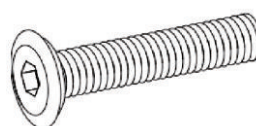


**HARDWARE**

**F** x 2



**G** x 6  
M6\*40



**H** x 4  
M6\*80



**I** x 4



**J** x 10



**K** x 2



**L** x 1



**M** x 2



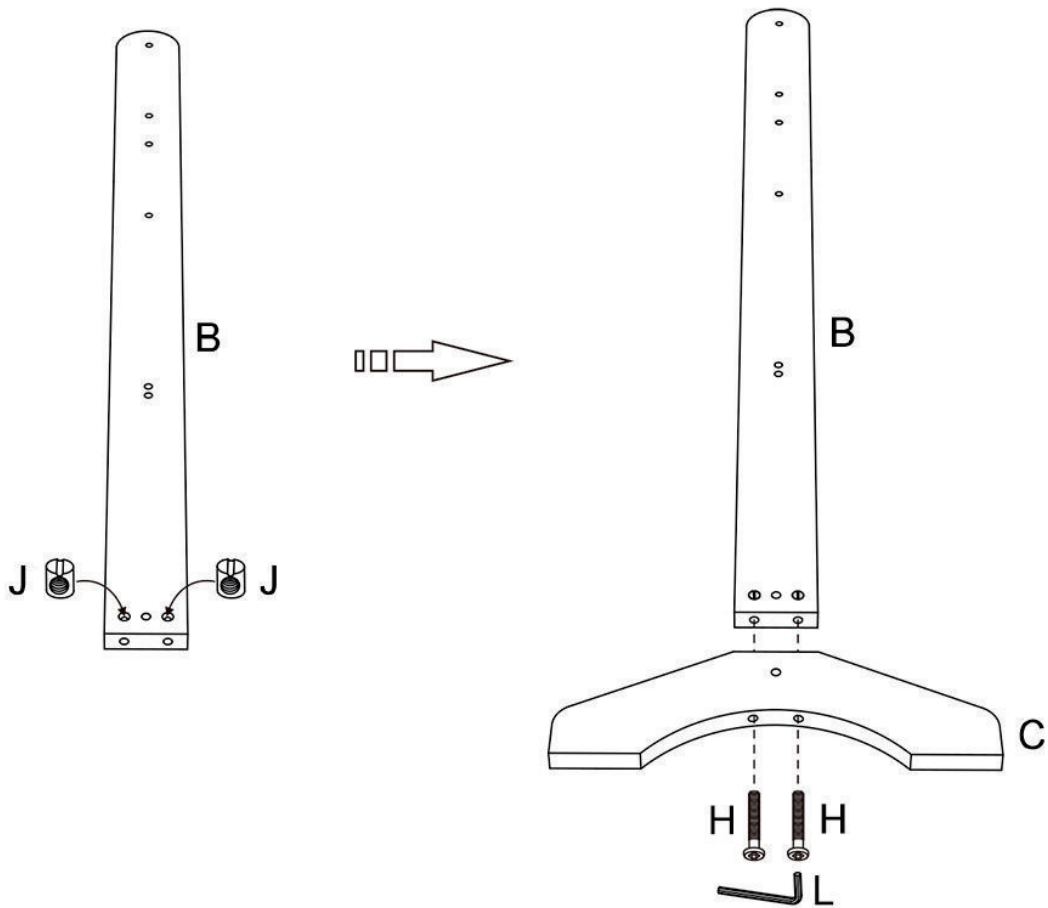
**B** x 2

**C** x 2

**J** x 4

**H** x 4

**L** x 1



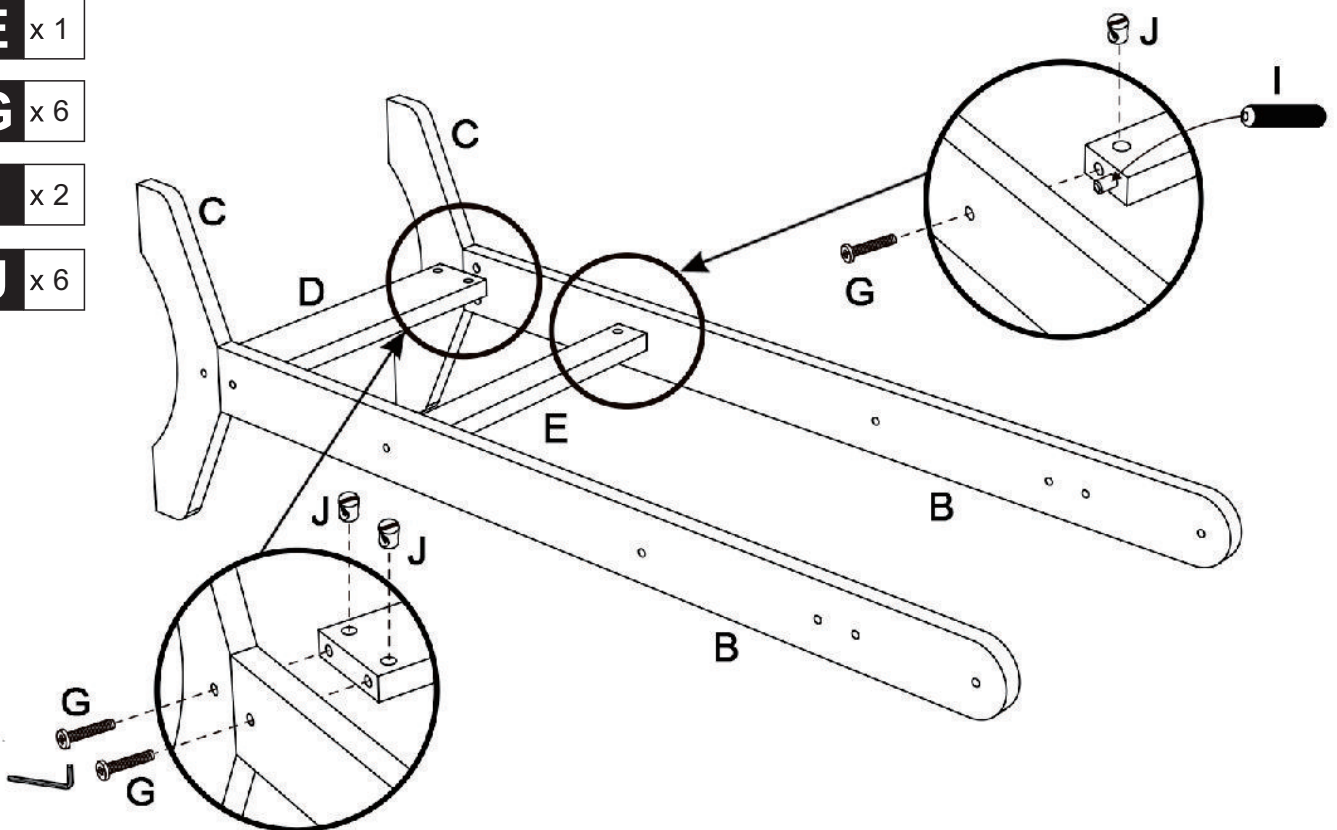
**D** x 1

**E** x 1

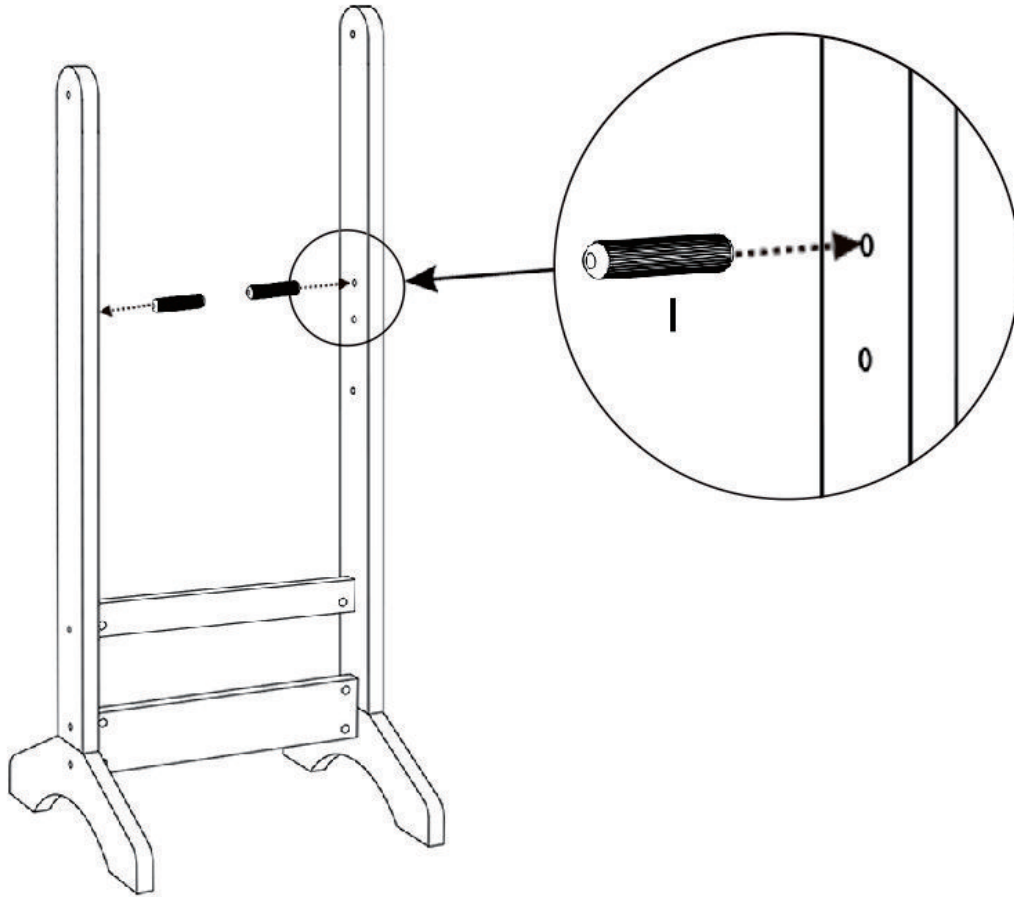
**G** x 6

**I** x 2

**J** x 6



I x 2



F x 2

K x 2

M x 2

