



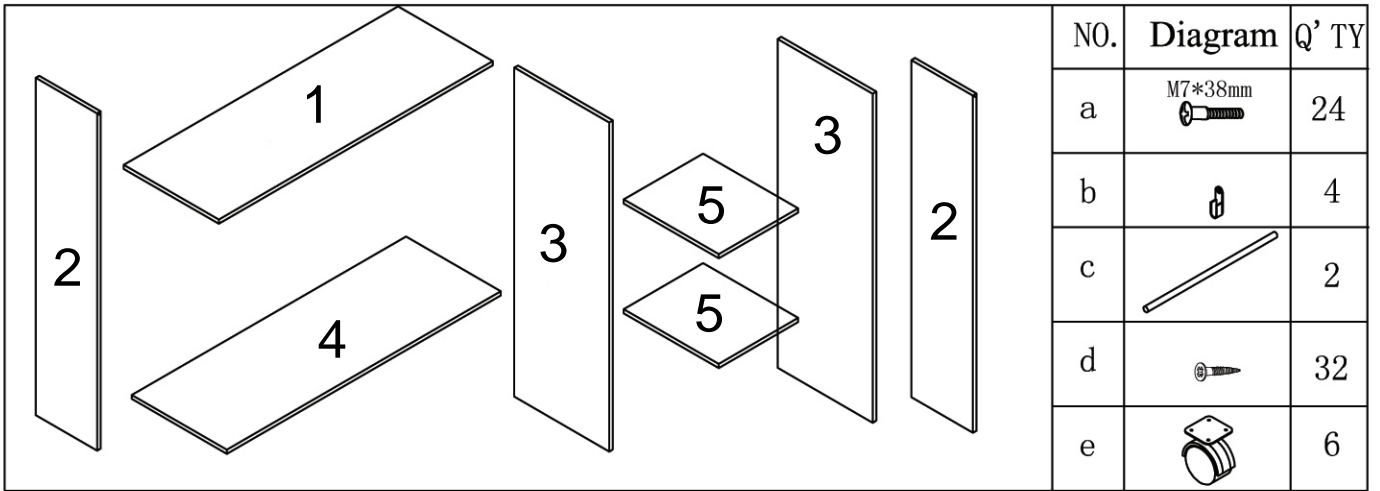
ASSEMBLY INSTRUCTION

Mobile Open Wardrobe
Kleiderschrank mit Räder

PART LIST

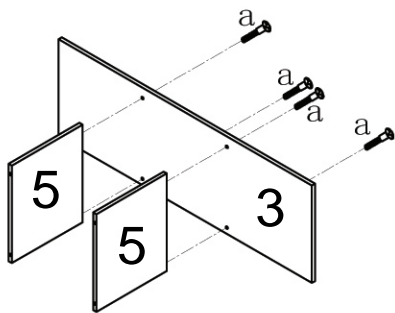
ITEM:02-0601/02-0624/831-190

HARDWARE LIST

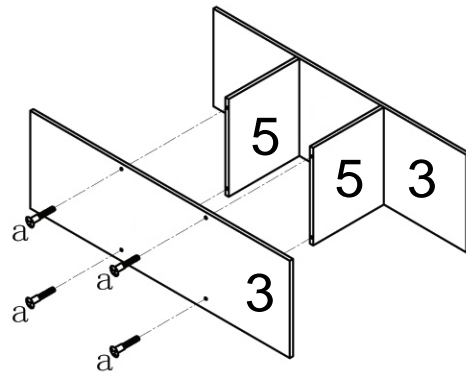


NO.	Diagram	Q' TY
a	M7*38mm	24
b		4
c		2
d		32
e		6

Step 1



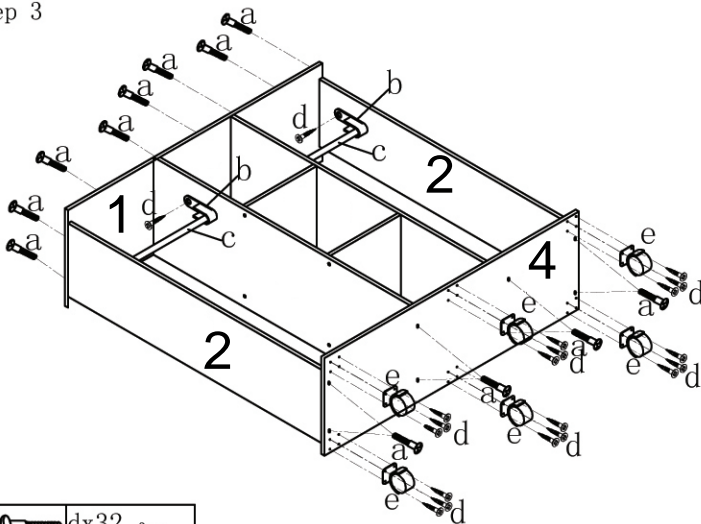
Step 2



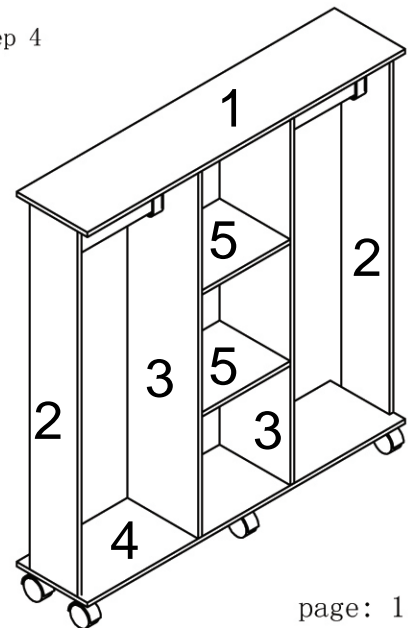
ax4

ax4

Step 3



Step 4



ax16	dx32
bx4	ex6
cx2	