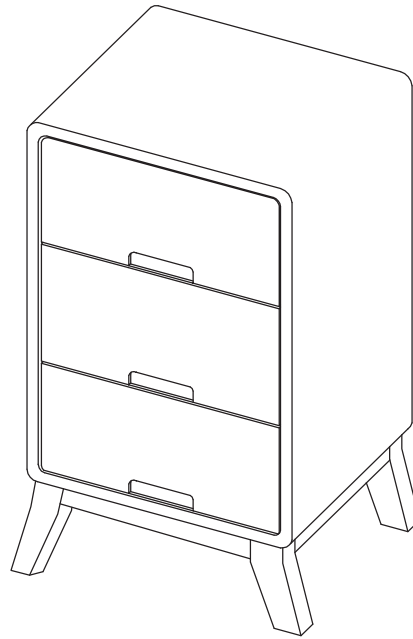




ASSEMBLY INSTRUCTIONS

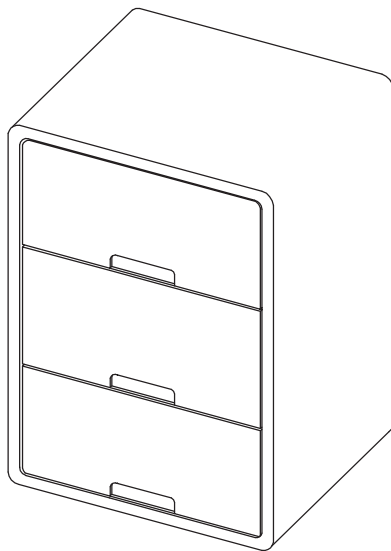
831-231



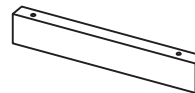
HARDWARE LIST

REF		HARDWARE NAME	QTY
A		35MM	12 PCS
B			1 PC

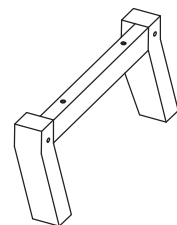
PART LIST



(1) X1PCS

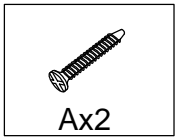
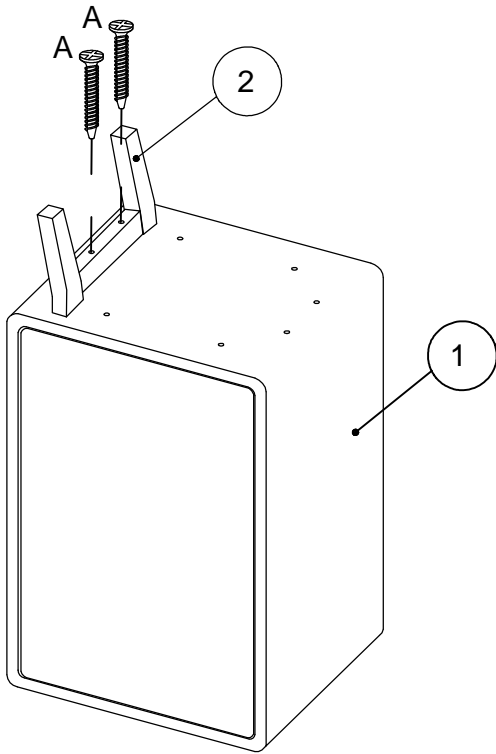


(2) X2PCS

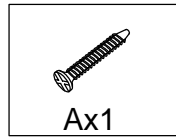
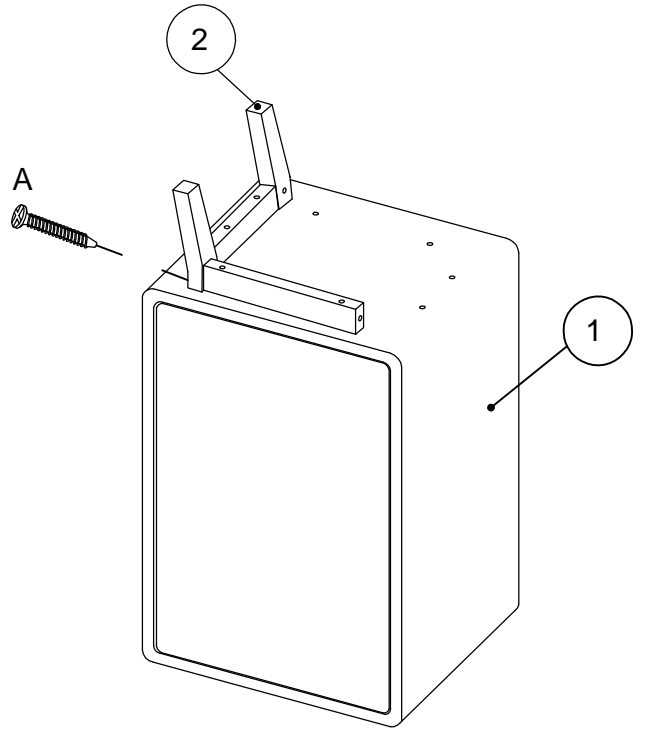


(3) X2PCS

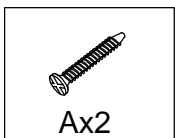
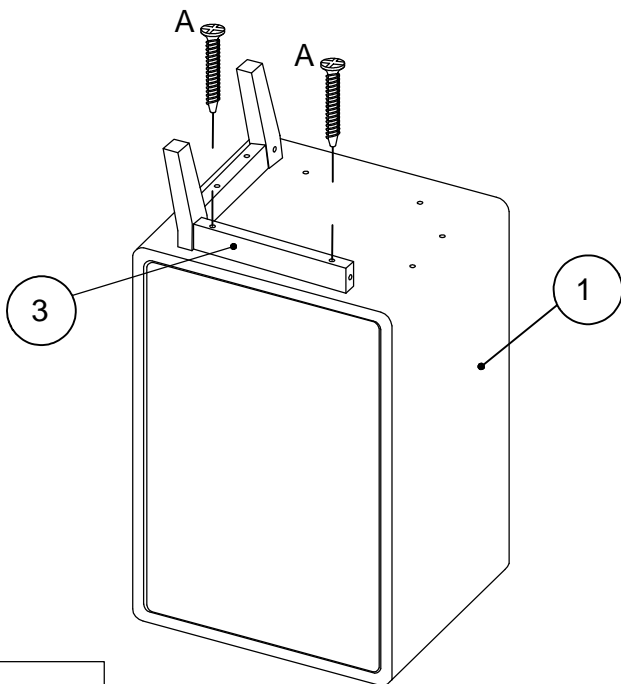
STEP 1



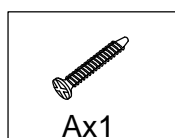
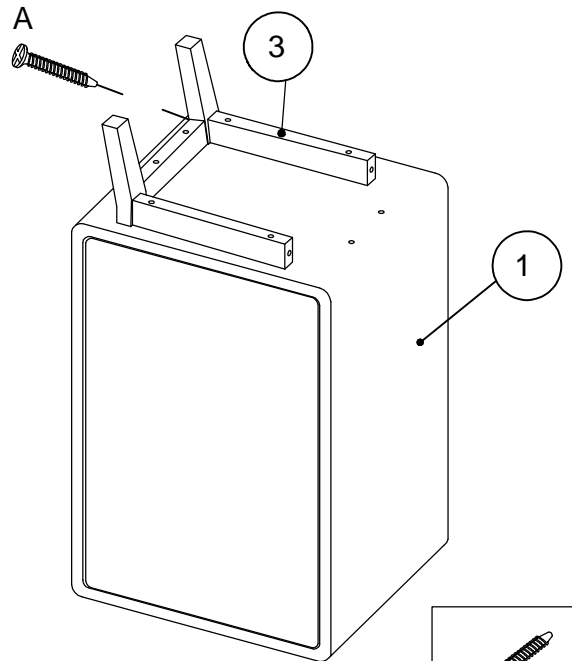
STEP 2



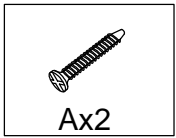
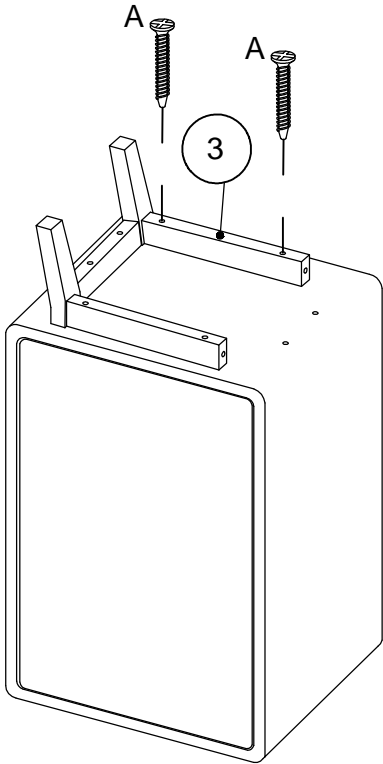
STEP 3



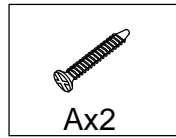
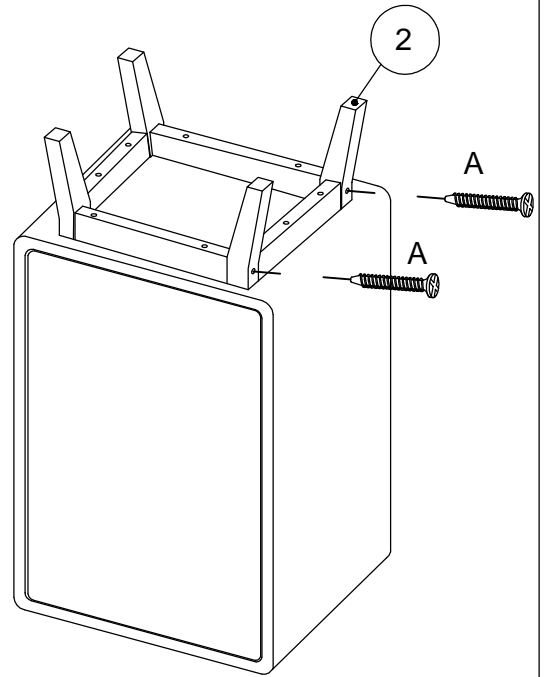
STEP 4



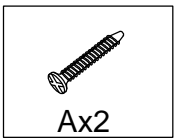
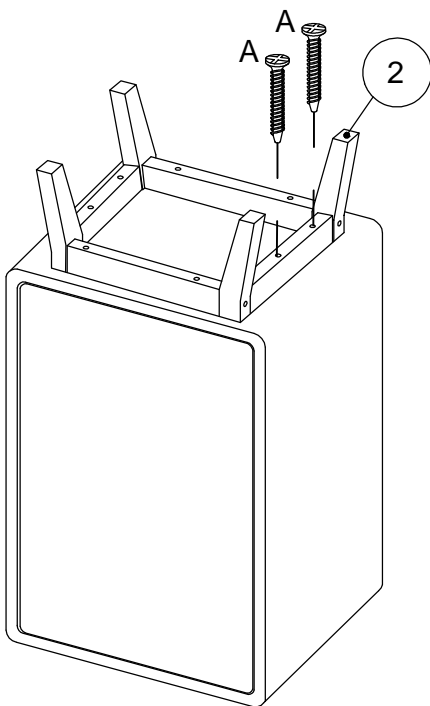
STEP 5



STEP 6



STEP 7



STEP 8

