

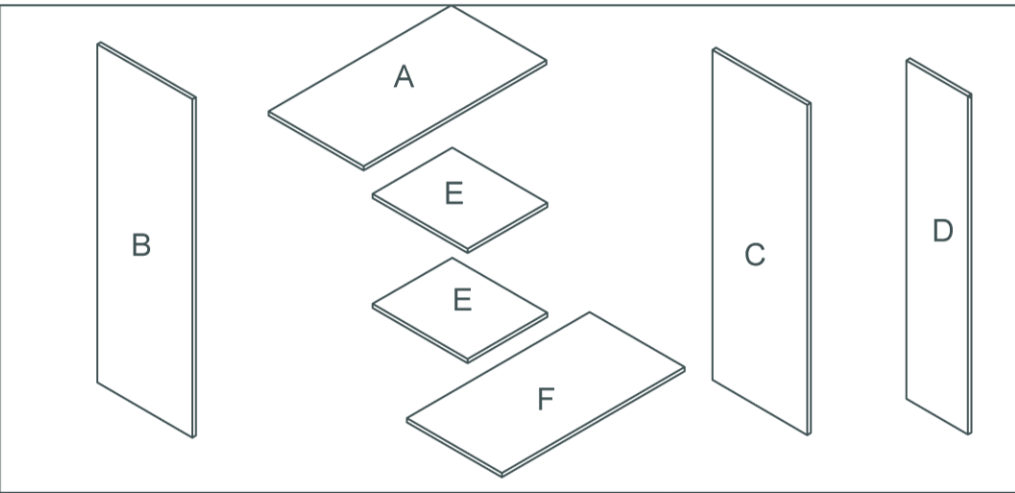


ASSEMBLY INSTRUCTION

Mobile Open Wardrobe

02-0603/02-0604/831-078

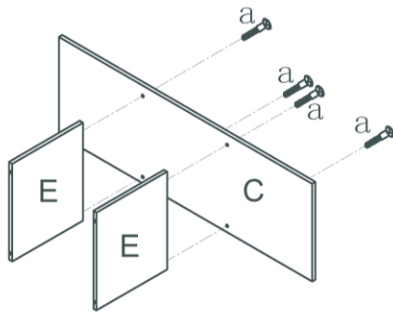
PART LIST



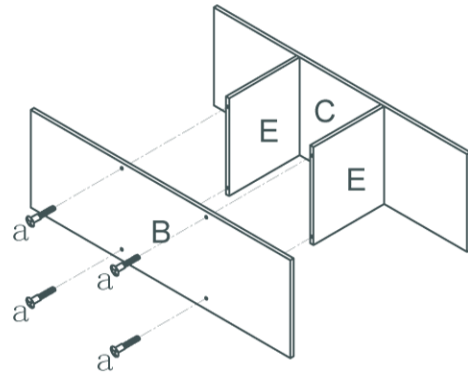
HARDWARE LIST

NO.	Diagram	Q' TY
a	M7*38mm	20
b		2
c		1
d		20
e		4

Step 1



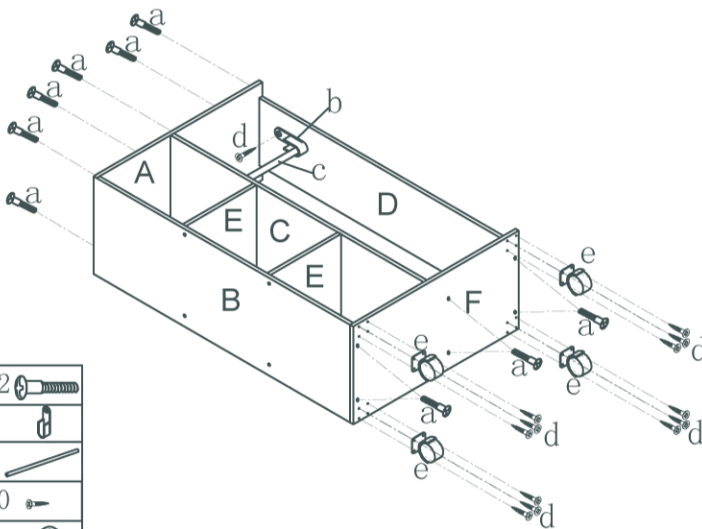
Step 2



ax4

ax4

Step 3



ax12

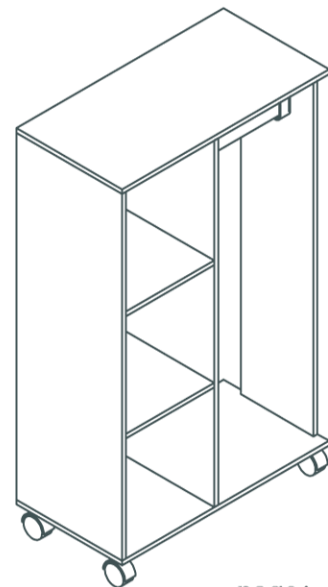
bx2

cx1

dx20

ex4

Step 4



US



001-877-644-9366
customerservice@aosom.com

CA



001-855-537-6088
customerservice@aosom.ca

UK



0044-800-240-4004
enquiries@mhstar.co.uk

DE



0049-(0)40-88307530
service@aosom.de

FR



0033-1-84166106
contact@aosom.fr

ES



0034-931294512
atencioncliente@aosom.es

IT



0039-0249471447
clienti@aosom.it