

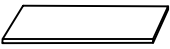
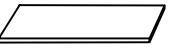
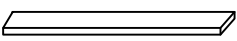
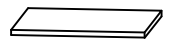
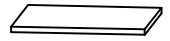
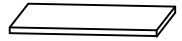
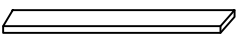
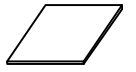

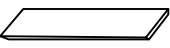


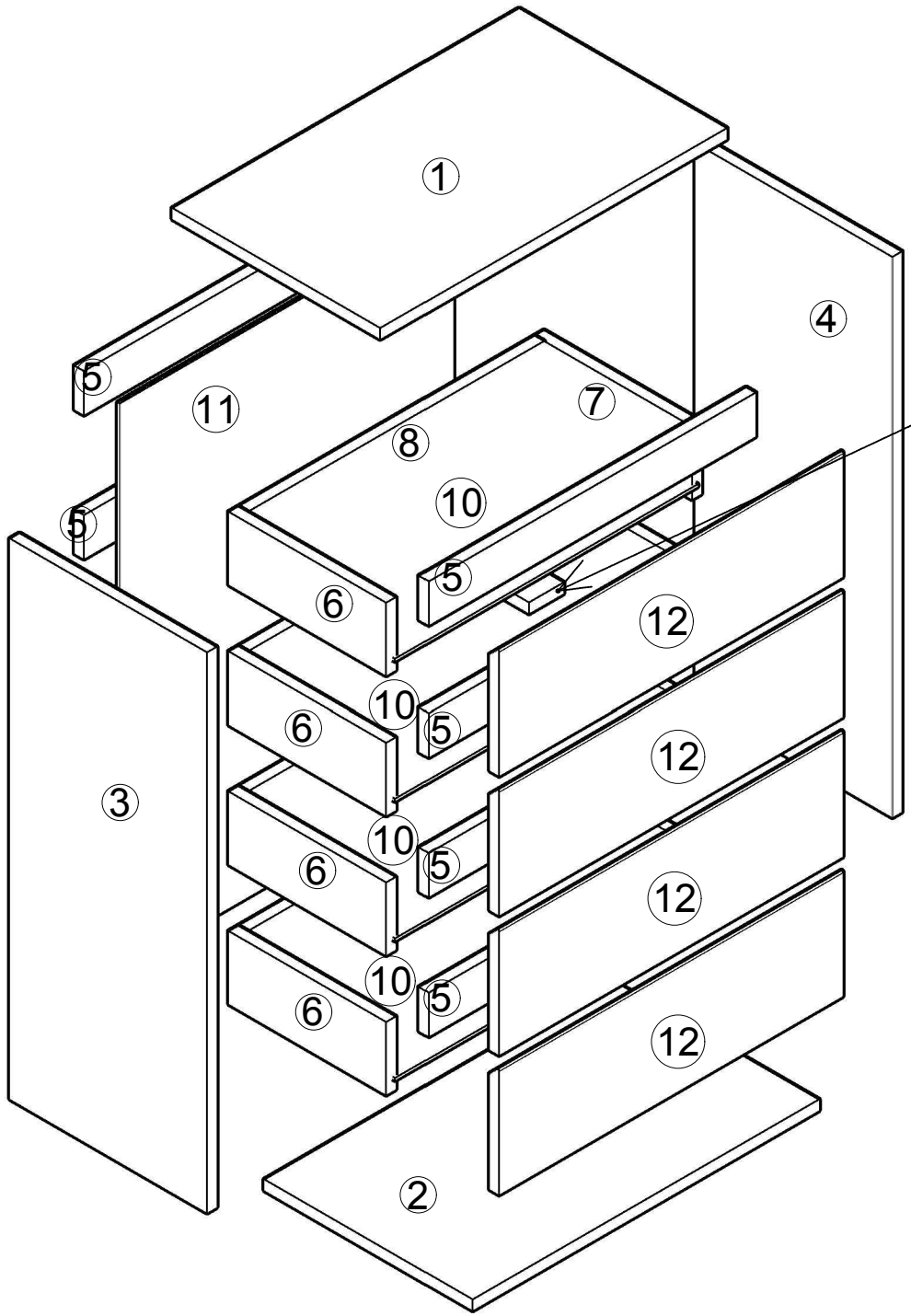
READ AND SAVE THIS INSTRUCTIONS FOR FUTURE USE


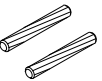



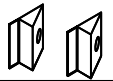
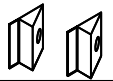



ASSEMBLY & INSTRUCTION MANUAL

PACKING DETAILS:
TOTAL 1BOX

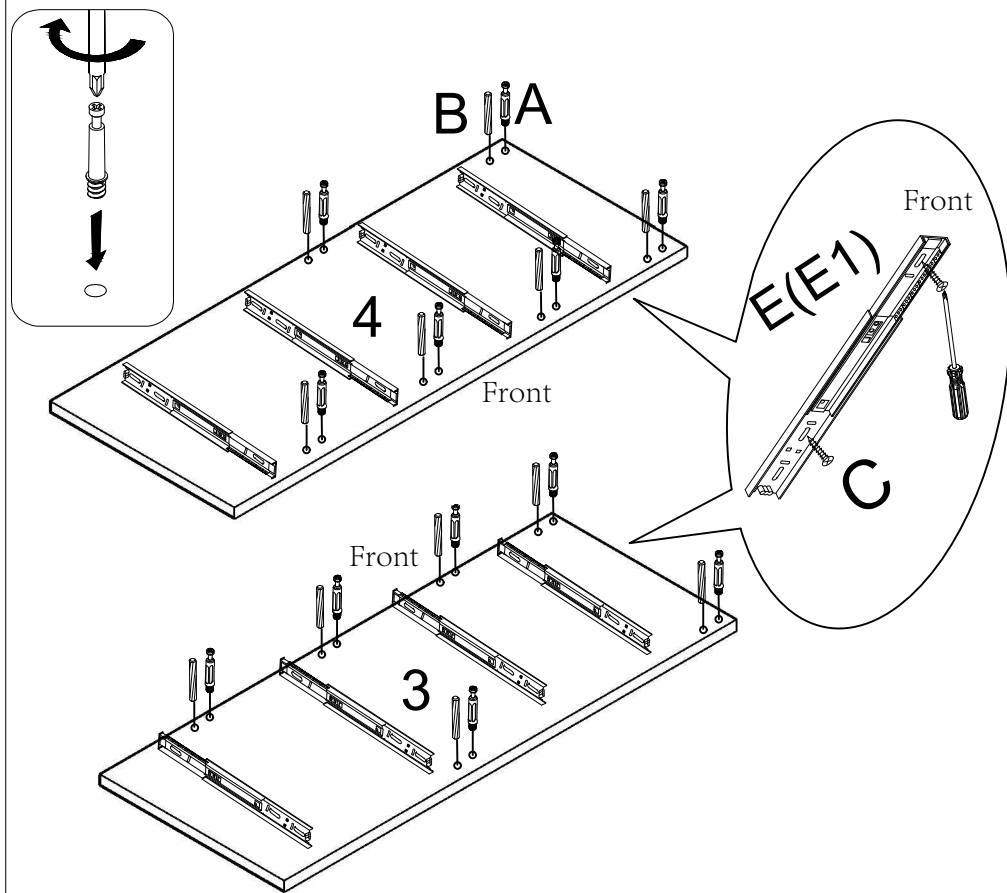
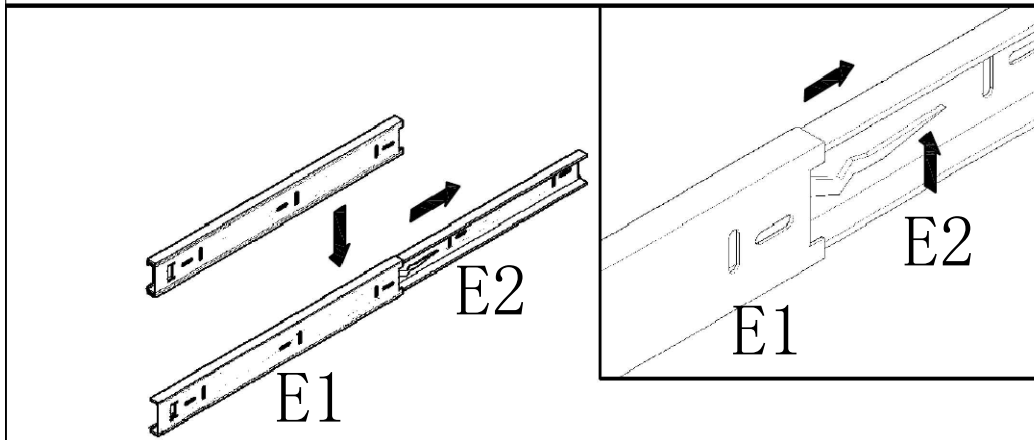
BOX 1/1:





| PART NO. | PARTS | QTY |
|----------|-------------------------------------------------------------------------------------|-----|
| ① |  | X1 |
| ② |  | X1 |
| ③ |  | X1 |
| ④ |  | X1 |
| ⑤ |  | X6 |
| ⑥ |  | X4 |
| ⑦ |  | X4 |
| ⑧ |  | X4 |
| ⑨ |  | X4 |
| ⑩ |  | X4 |
| ⑪ |  | X1 |
| ⑫ |  | X4 |
| | | |



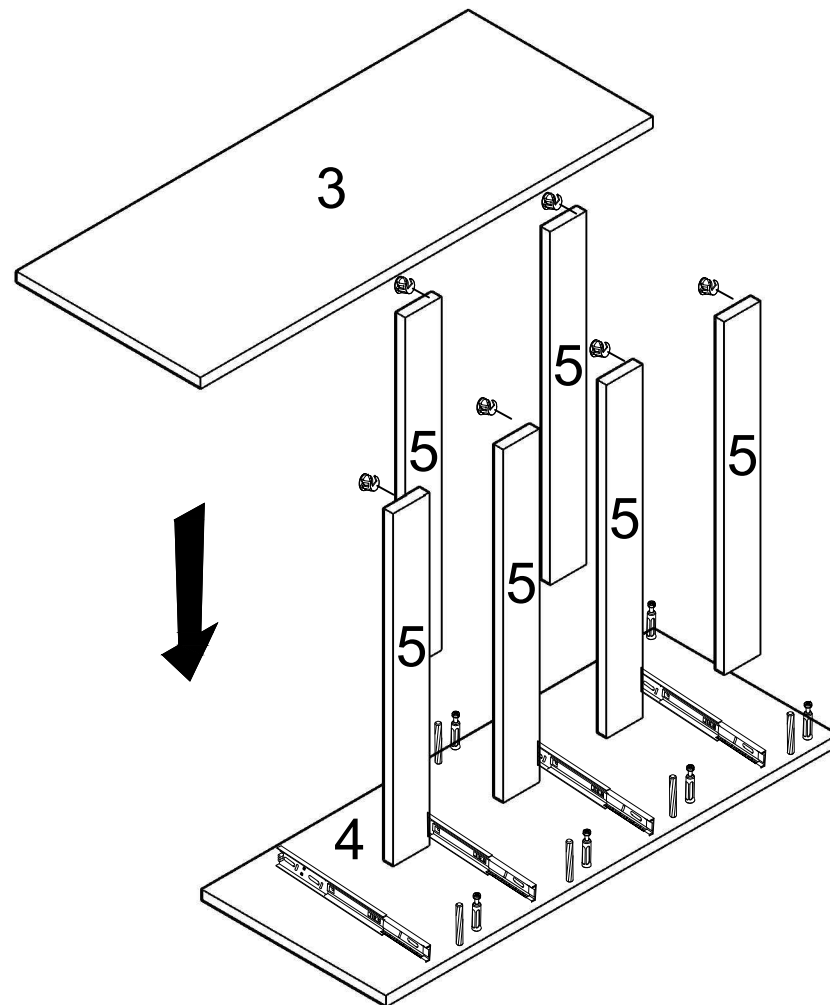
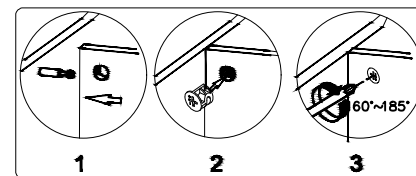
| PART NO. | PARTS | QTY |
|----------|-----------------------------------------------------------------------------------------------------------------------------------------------------------------------------------|-----|
| Ⓐ |  | X37 |
| Ⓑ |  | X29 |
| Ⓒ |  | X39 |
| Ⓓ |  | X17 |
| Ⓔ | E1  E2  | X4 |
| Ⓕ |  | X6 |
| Ⓖ |  | X2 |
| Ⓗ |  | X4 |
| Ⓘ |  | X37 |


1



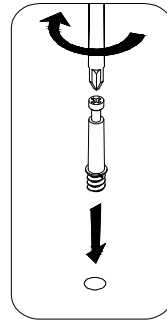
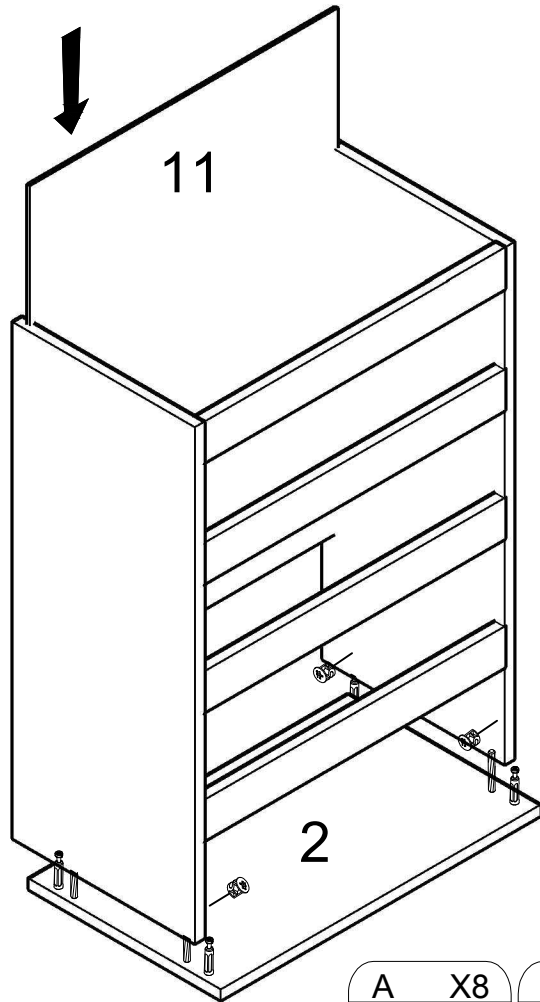
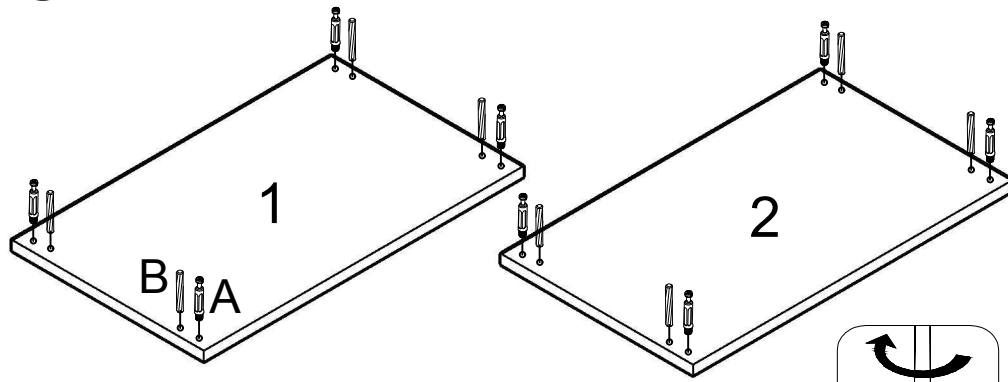
| | | | |
|----------------------------------------------------------------------------------------|-------------------------------------------------------------------------------------|-------------------------------------------------------------------------------------|--------------------------------------------------------------------------------------|
| E X4 | C X16 | A X12 | B X12 |
|  E1 |  |  |  |

2



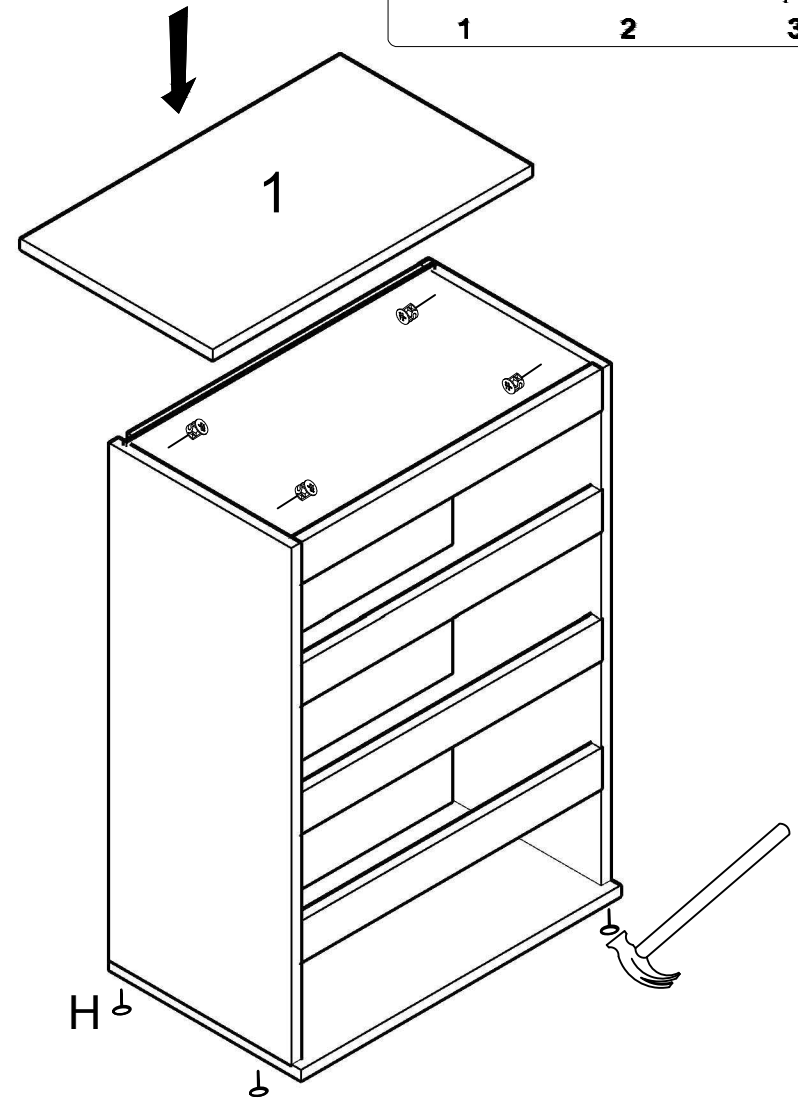
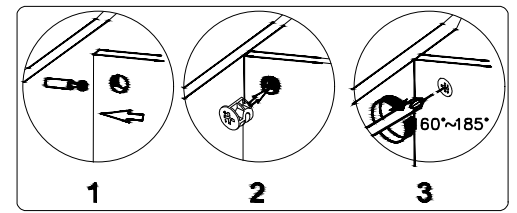
| |
|---------------------------------------------------------------------------------------|
| I X12 |
|  |

3



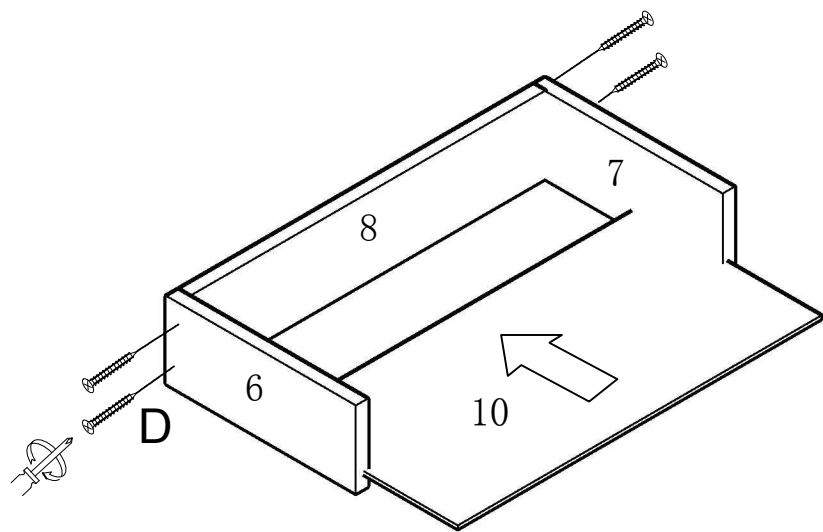
| | | |
|------|------|------|
| A X8 | B X8 | I X4 |
| | | |

4

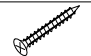


| | |
|------|------|
| I X4 | H X4 |
| | |

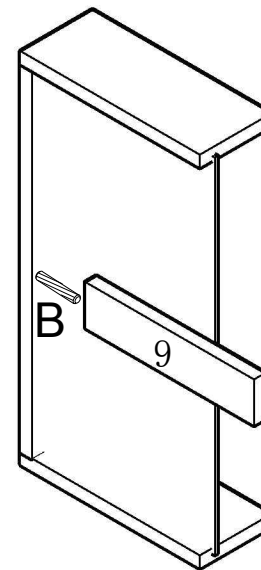
5



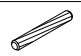
D X4



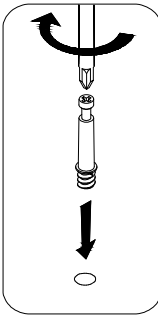
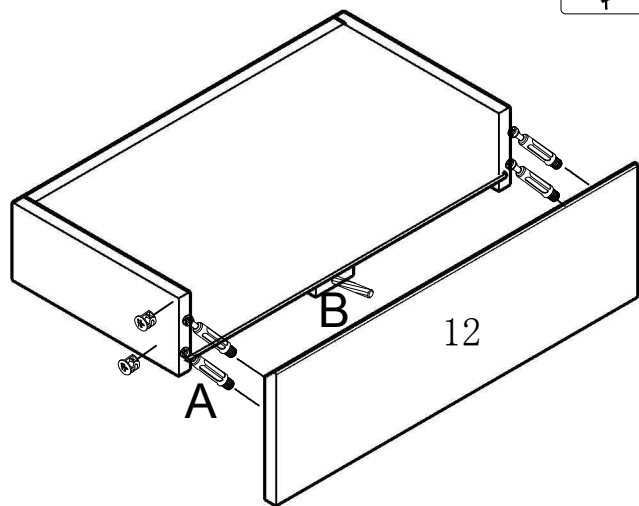
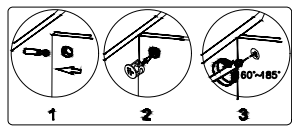
6




B X1




7




A X4



B X1

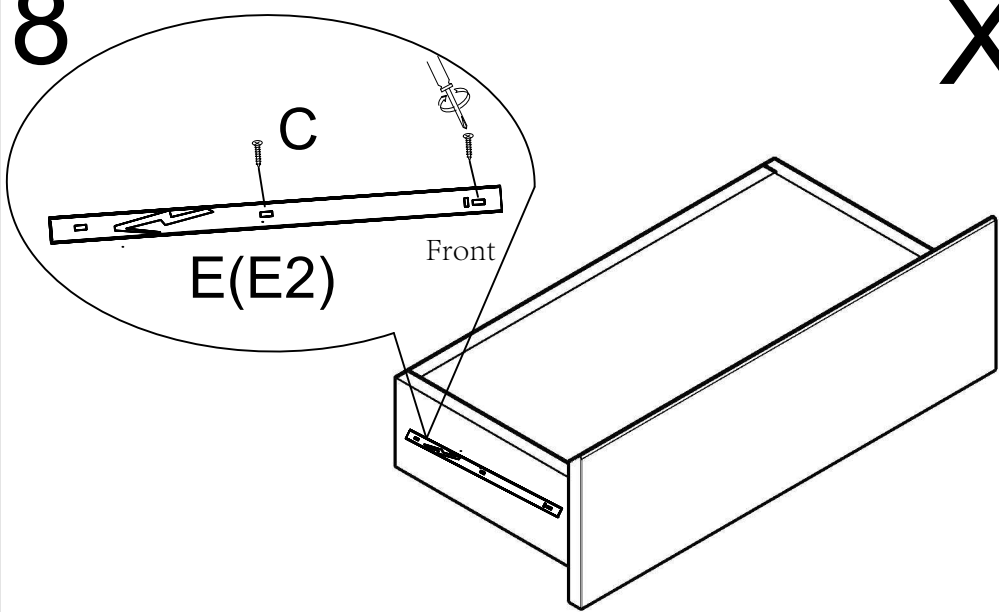


I X4




8

X4




E X1

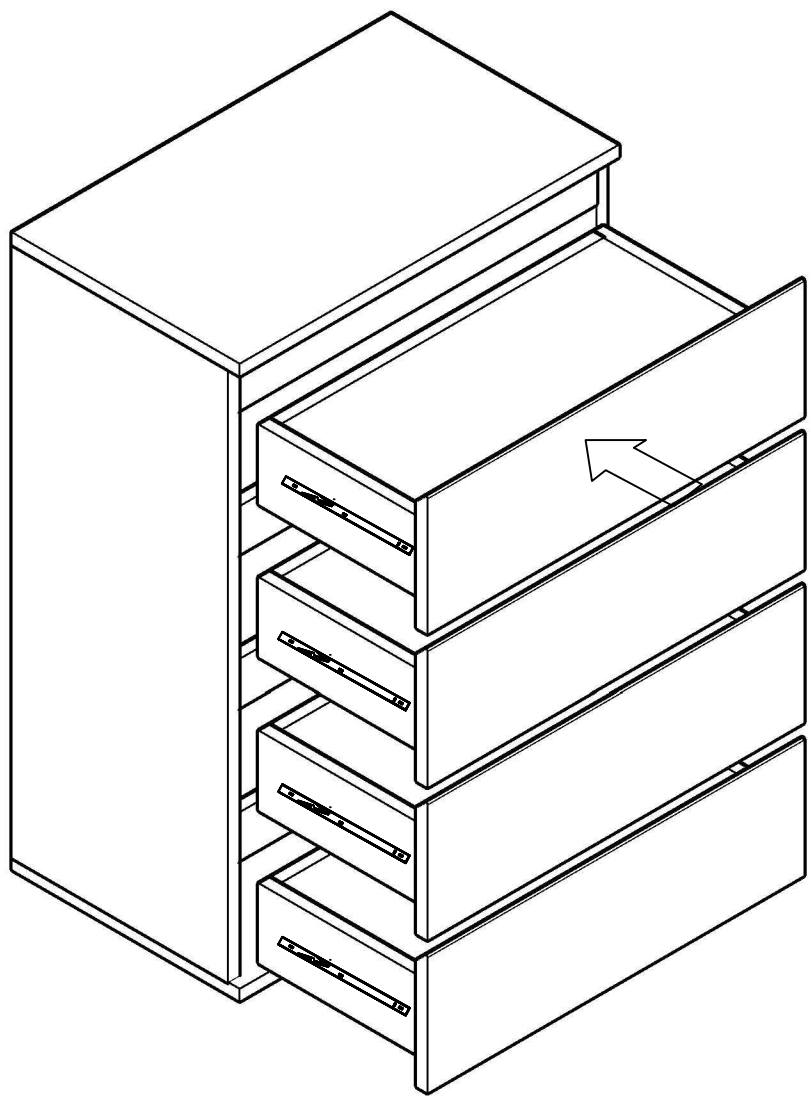


E2

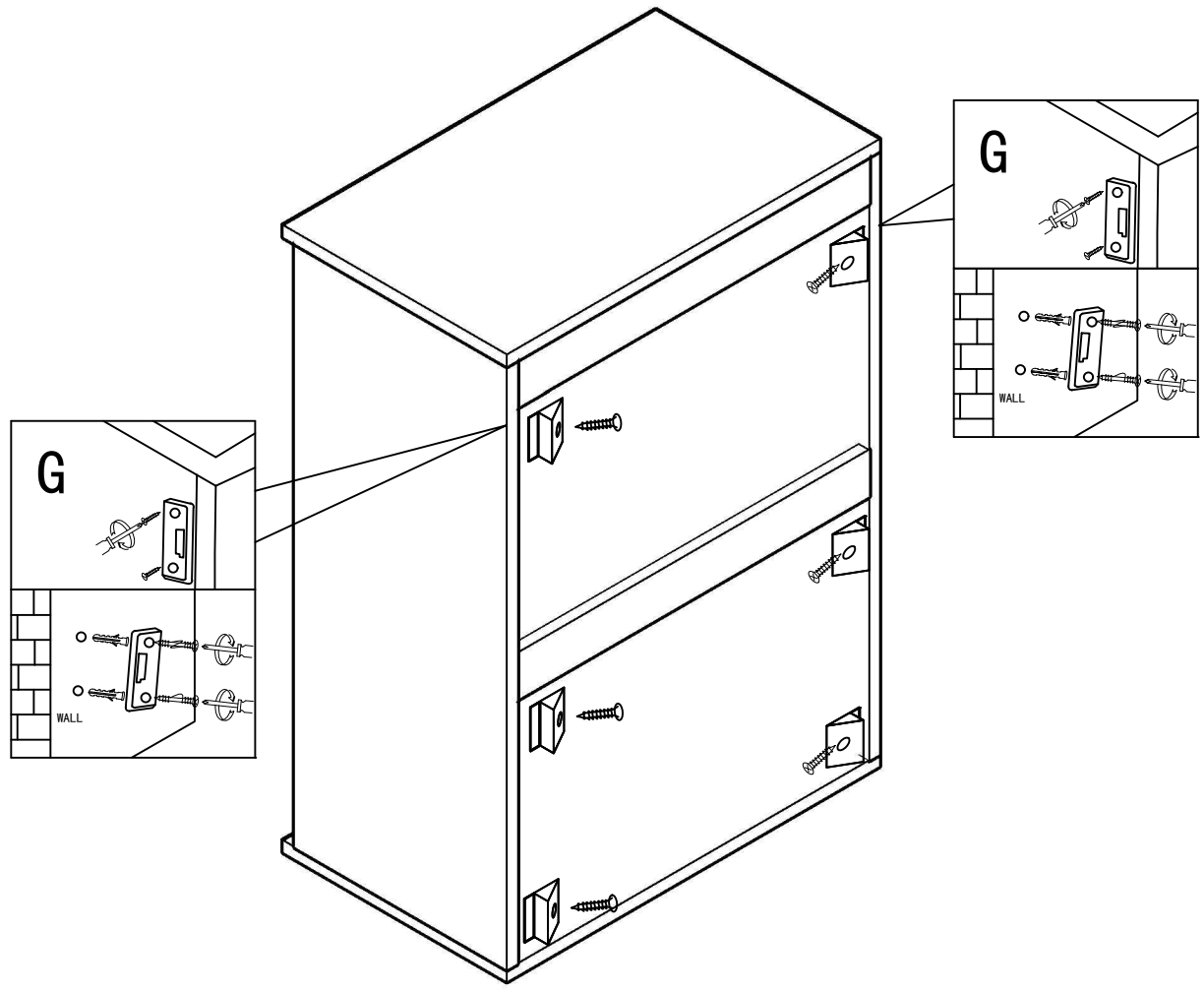
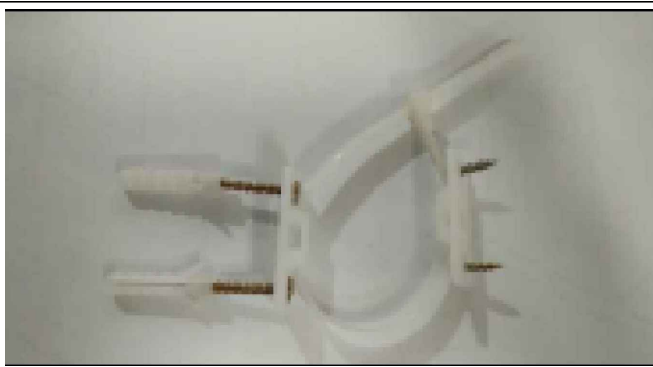
C X4



9



10



- | | | | | | |
|---|----|---|----|---|----|
| G | X2 | F | X6 | C | X6 |
| | | | | | |

US



001-877-644-9366
customerservice@aosom.com

CA



001-855-537-6088
customerservice@aosom.ca

UK



0044-800-240-4004
enquiries@mhstar.co.uk

DE



0049-(0)40-88307530
service@aosom.de

FR



0033-1-84166106
contact@aosom.fr

ES



0034-931294512
atencioncliente@aosom.es

IT



0039-0249471447
clienti@aosom.it