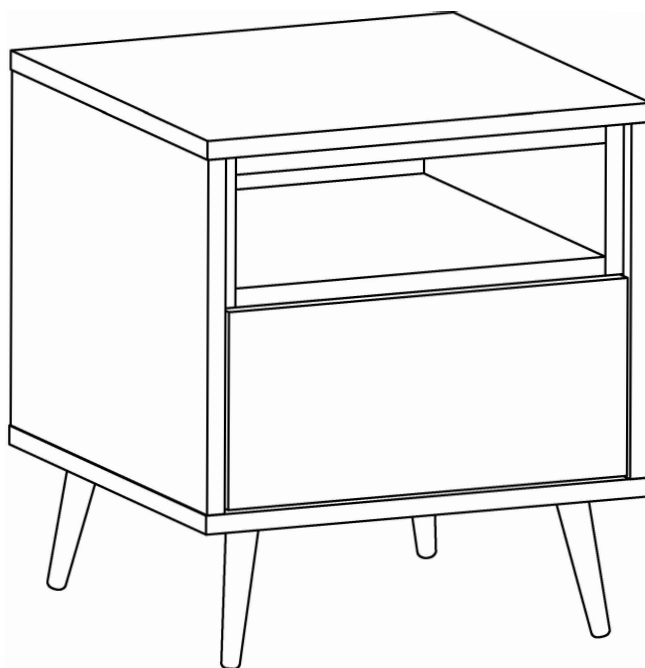




INcre005_GL

831-333

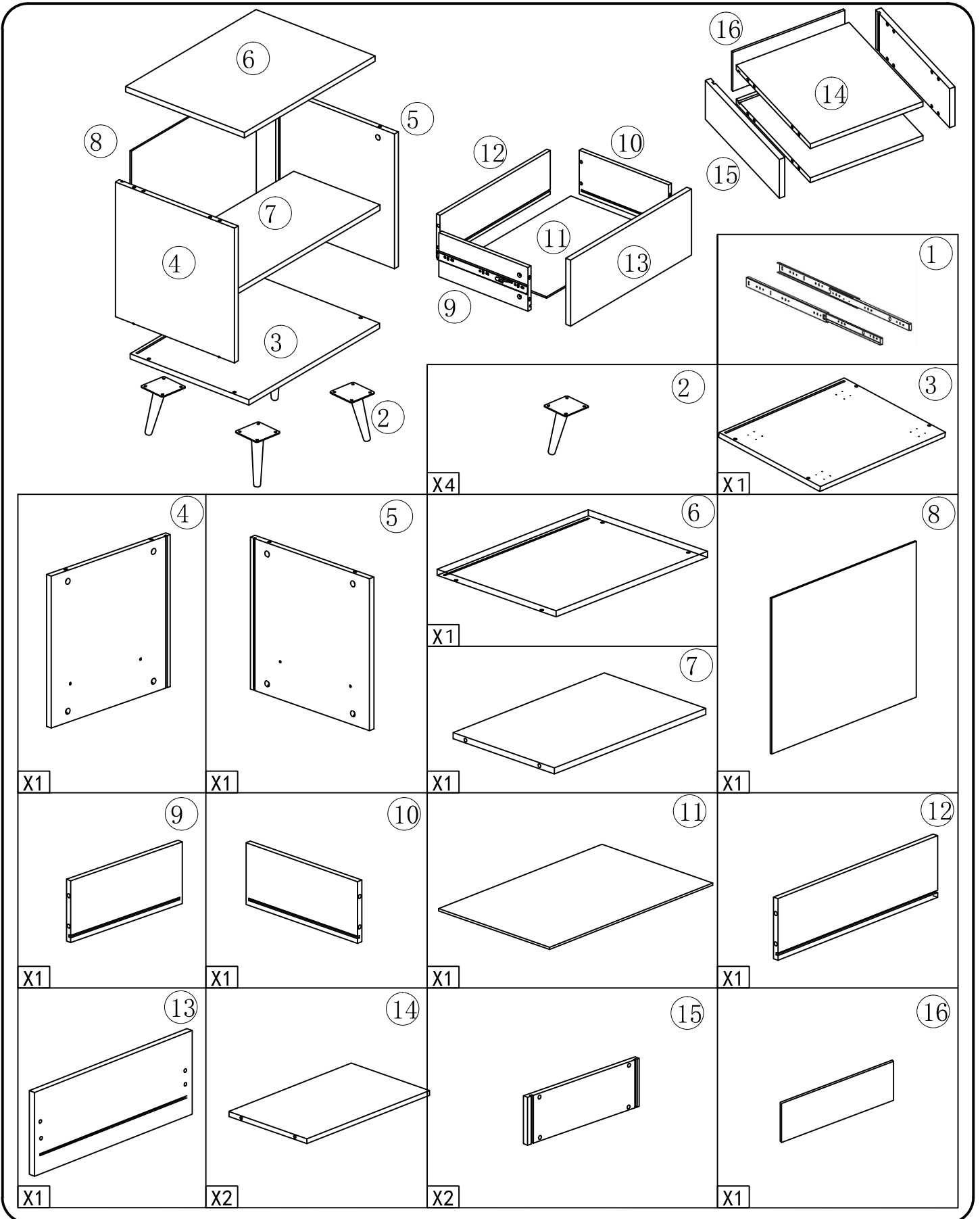


READ AND SAVE THESE INSTRUCTIONS FOR FUTURE USE

OPERATING INSTRUCTIONS



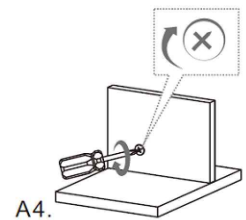
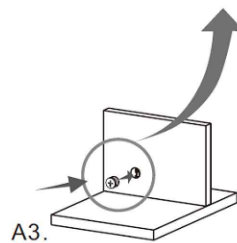
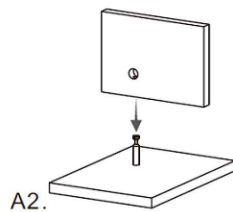
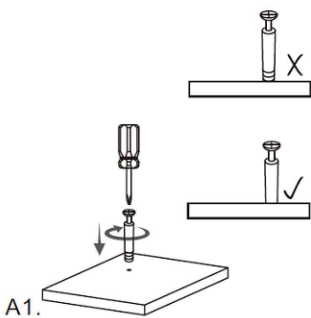
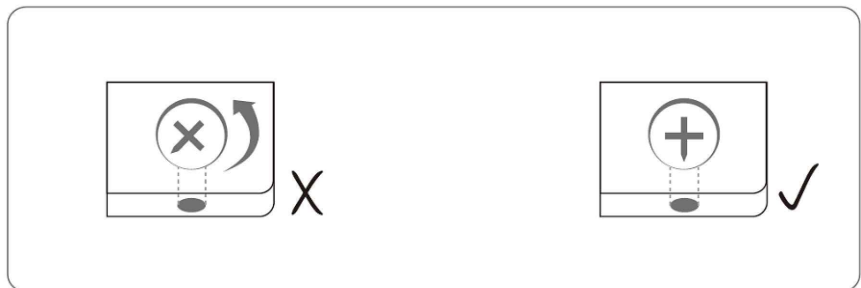
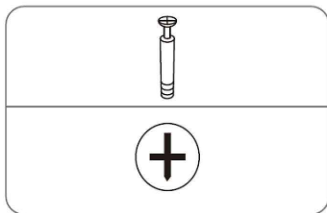
■ Part List





PART	QTY.	ITEM	
A	28	6X40MM	
B	16	Ø15MM	
C	12	6X40MM	
D	4	30X30MM	
E	16	5X15MM	

PART	QTY.	ITEM	
F	8	5X10MM	





■ Assembly Instructions

1

2

3

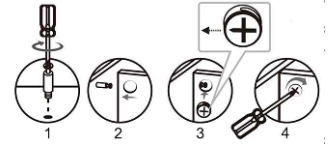
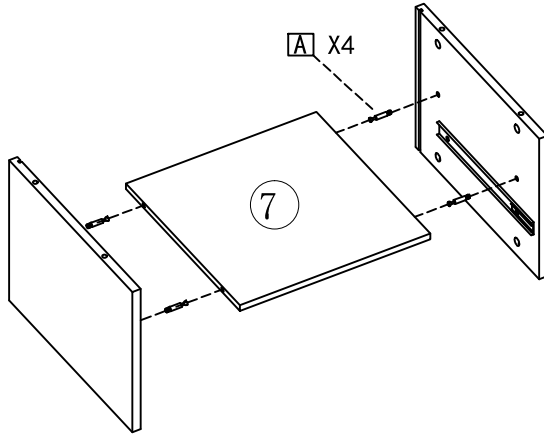
Legend:

- A 6X40MM X8
- C ϕ 12MM X8
- F 5X10MM X4



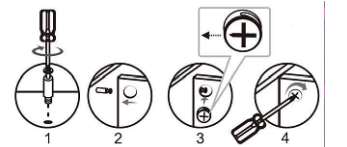
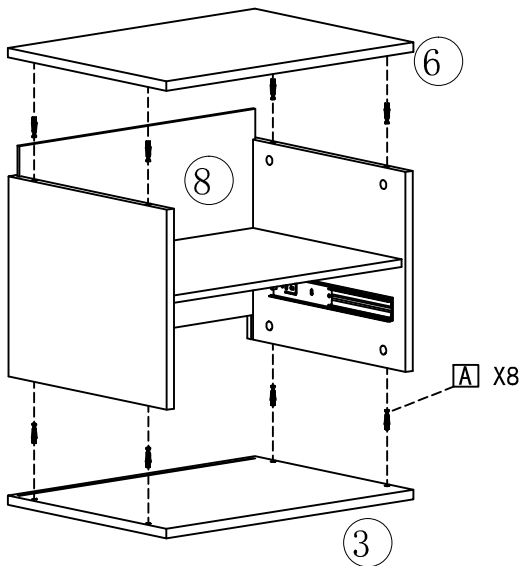
■ Assembly Instructions

4



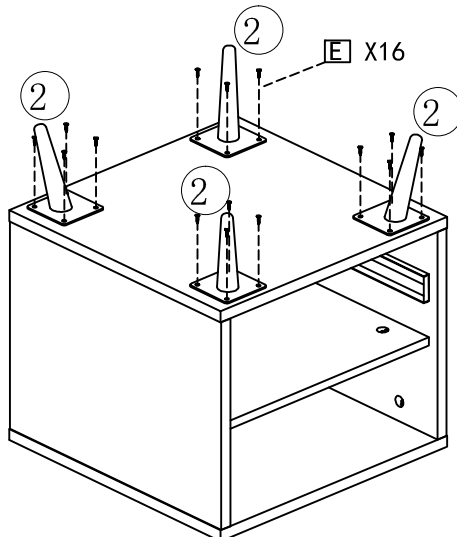
A	6X40MM	
	X4	
C	φ12MM	
	X4	

5



A	6X40MM	
	X8	
B	φ15MM	
	X8	

6

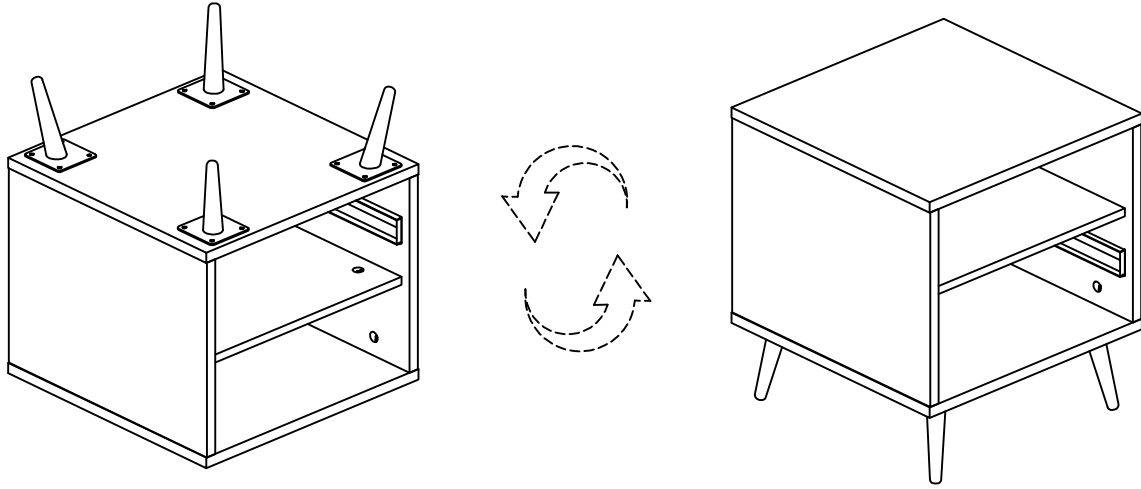


E	5X15MM	
	X16	

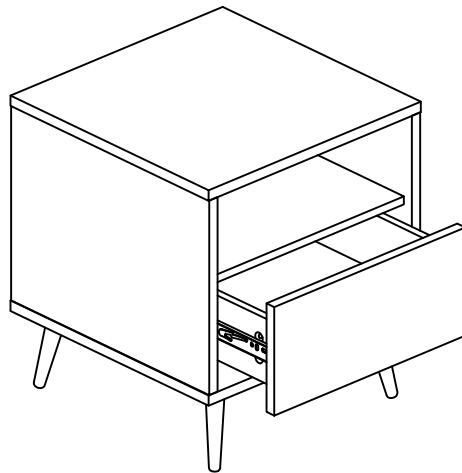


■ Assembly Instructions

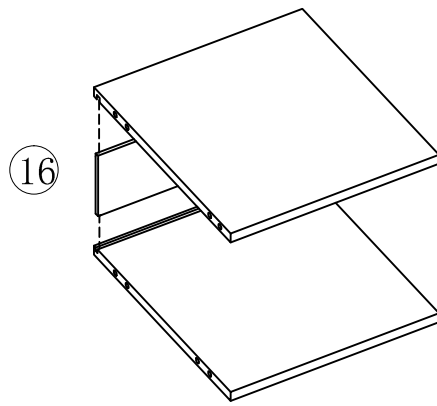
7



8



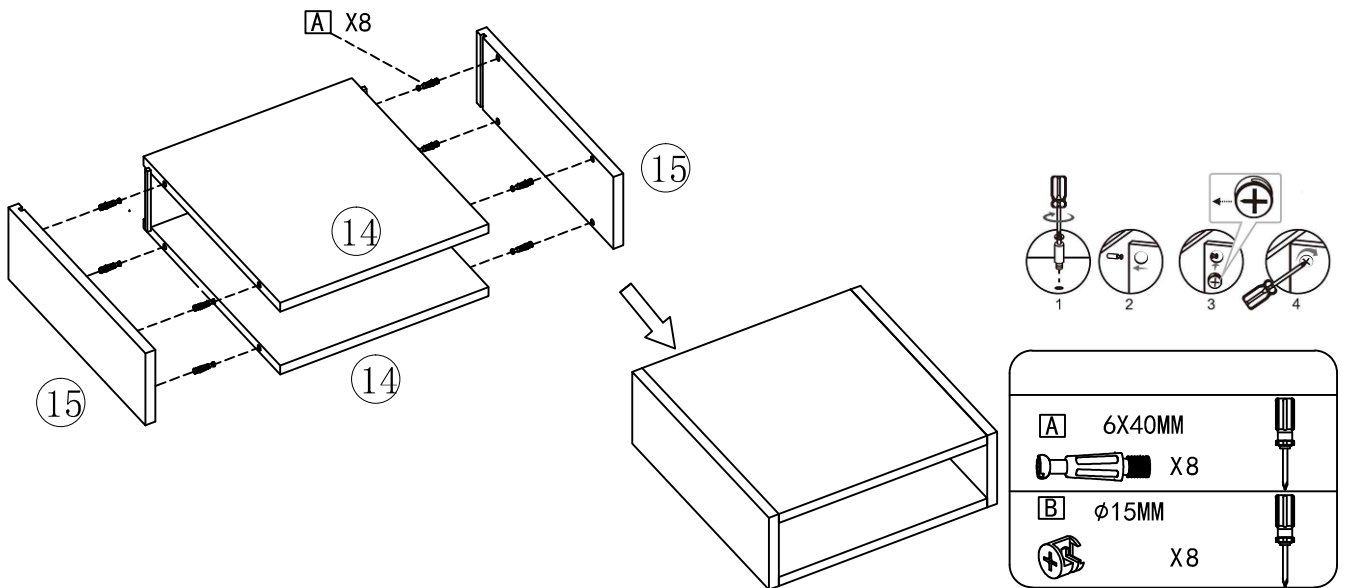
9



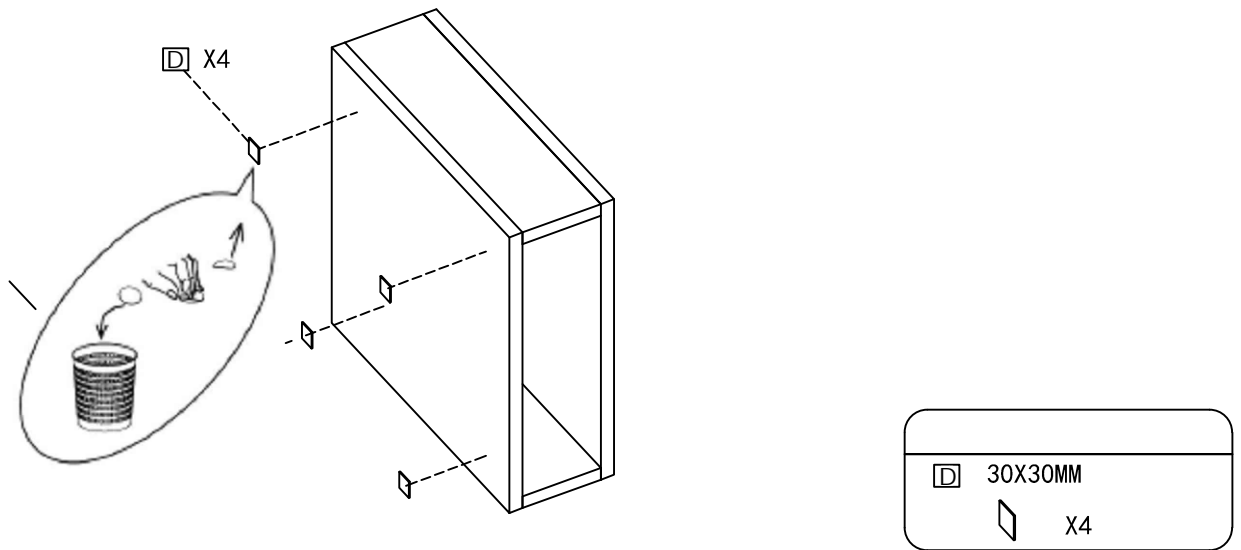


■ Assembly Instructions

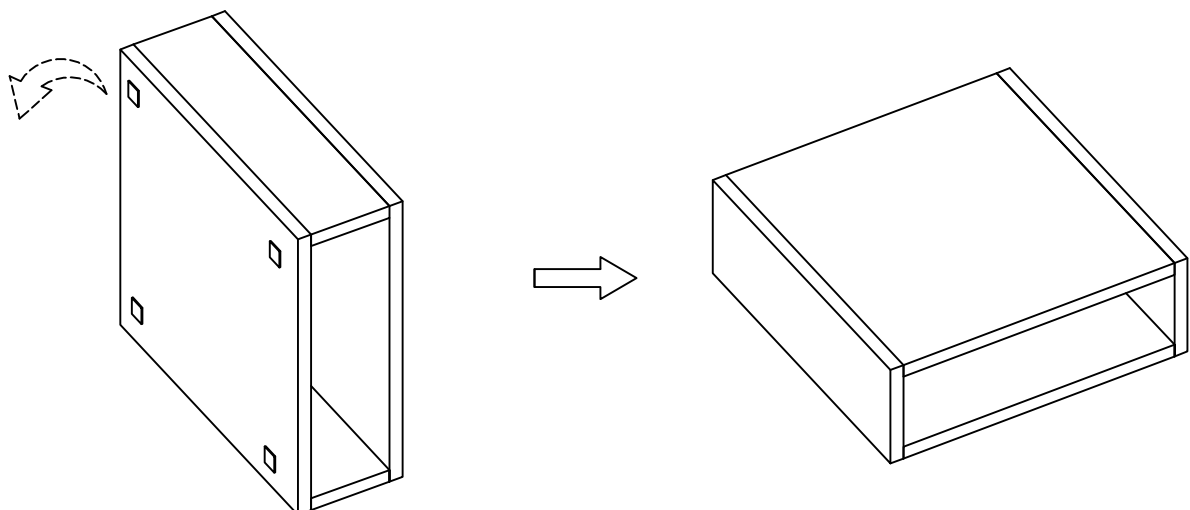
10



11



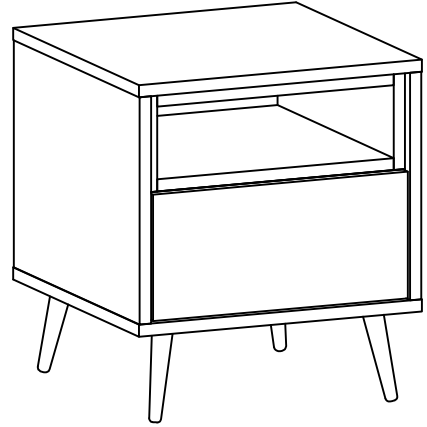
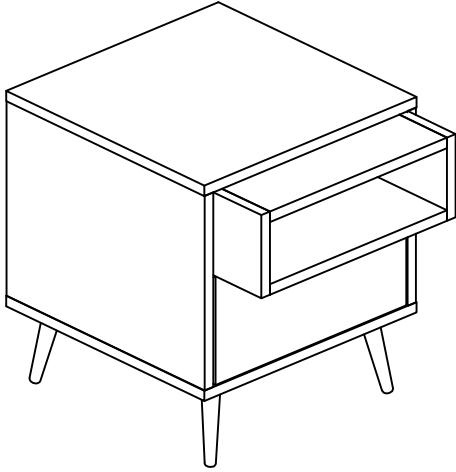
12



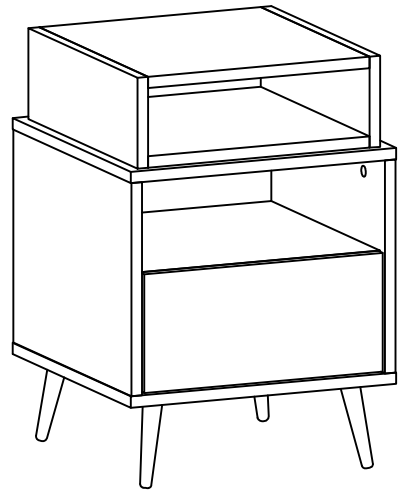
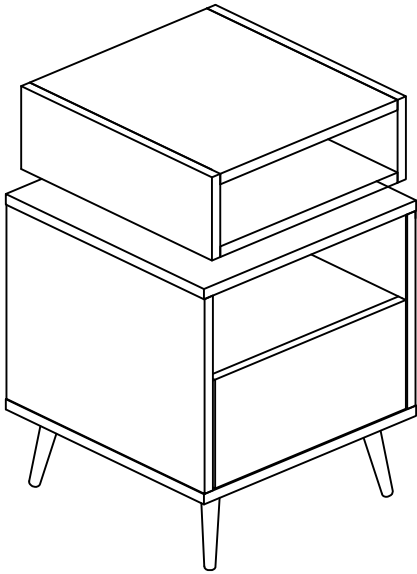


■ Assembly Instructions

13



OR



US



001-877-644-9366
customerservice@aosom.com

CA



001-855-537-6088
customerservice@aosom.ca

UK



0044-800-240-4004
enquiries@mhstar.co.uk

DE



0049-(0)40-88307530
service@aosom.de

FR



0033-1-84166106
contact@aosom.fr

ES



0034-931294512
atencioncliente@aosom.es

IT



0039-0249471447
clienti@aosom.it