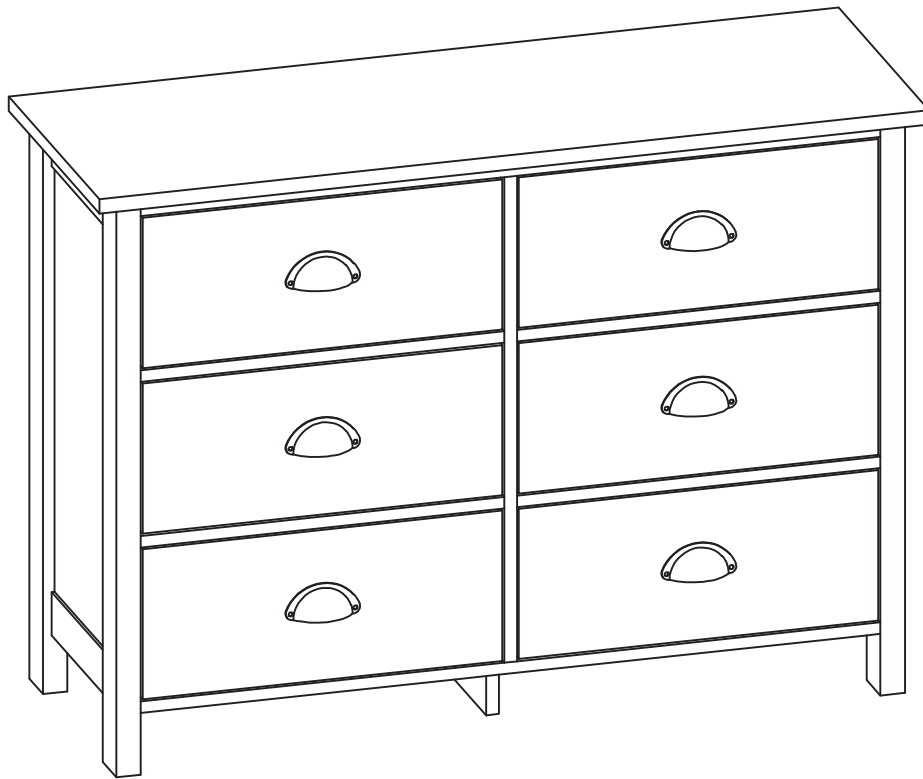




INcre042_GL

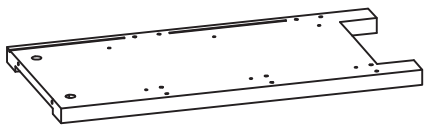
831-438_831-439



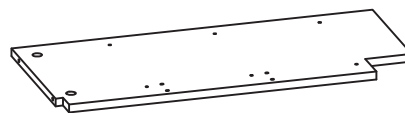
IMPORTANT, RETAIN FOR FUTURE REFERENCE: READ CAREFULLY

ASSEMBLY & INSTRUCTION MANUAL

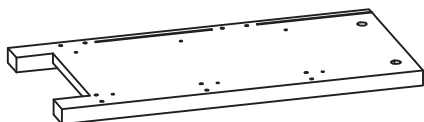
1 x 1



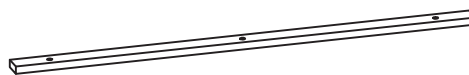
2 x 1



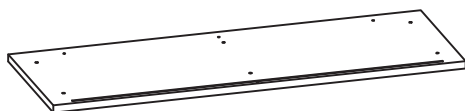
3 x 1



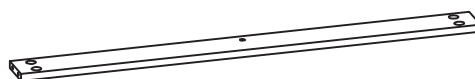
4 x 1



5 x 1



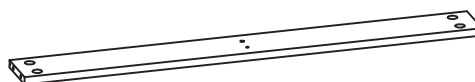
6 x 1



7 x 1



8 x 1



9 x 4



10 x 2



11 x 6



12 x 6



13 x 6



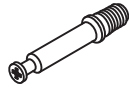
14 x 6



15 x 6



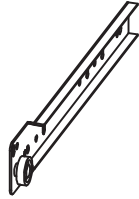
A x58
+2(spare)



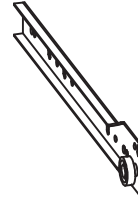
B x48
+2(spare)



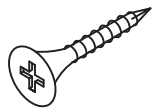
C x 6 M3*12



D x 6



E x 3



F x 1



M4*20

G x 2



M2*12

H x 1



I x 3



J x27
+1(spare)

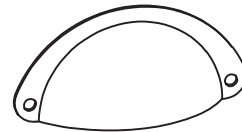


M4*30

K x58
+2(spare)



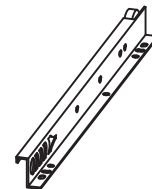
L x 6



M x12
+1(spare)

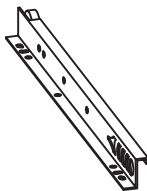


N x 6

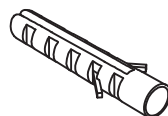


M3*12

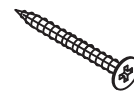
O x 6



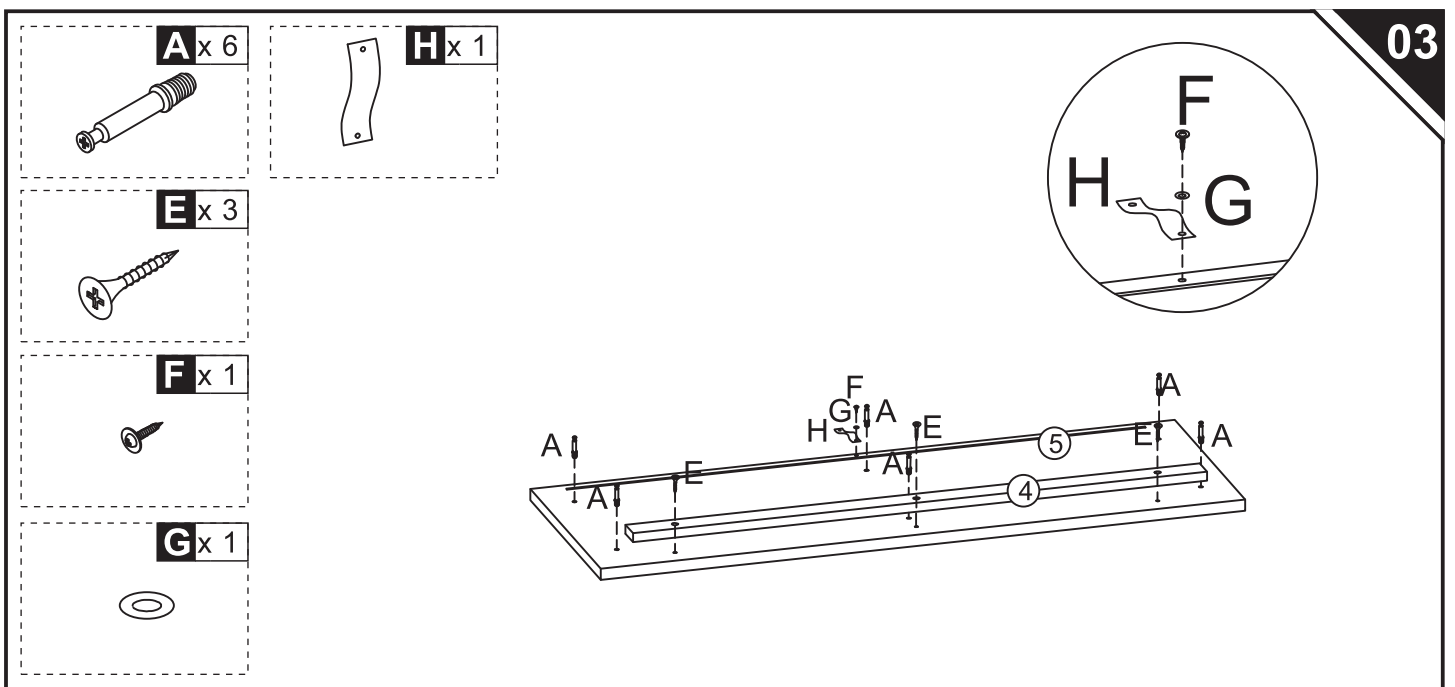
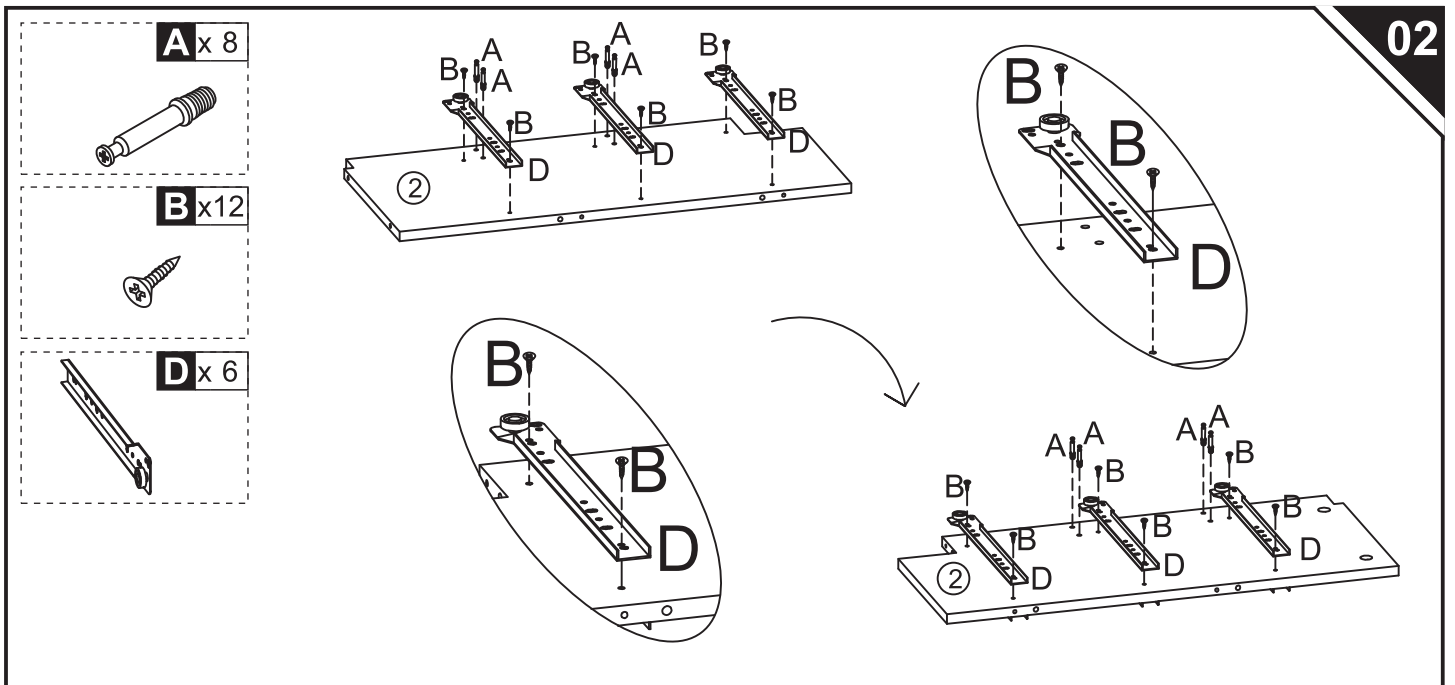
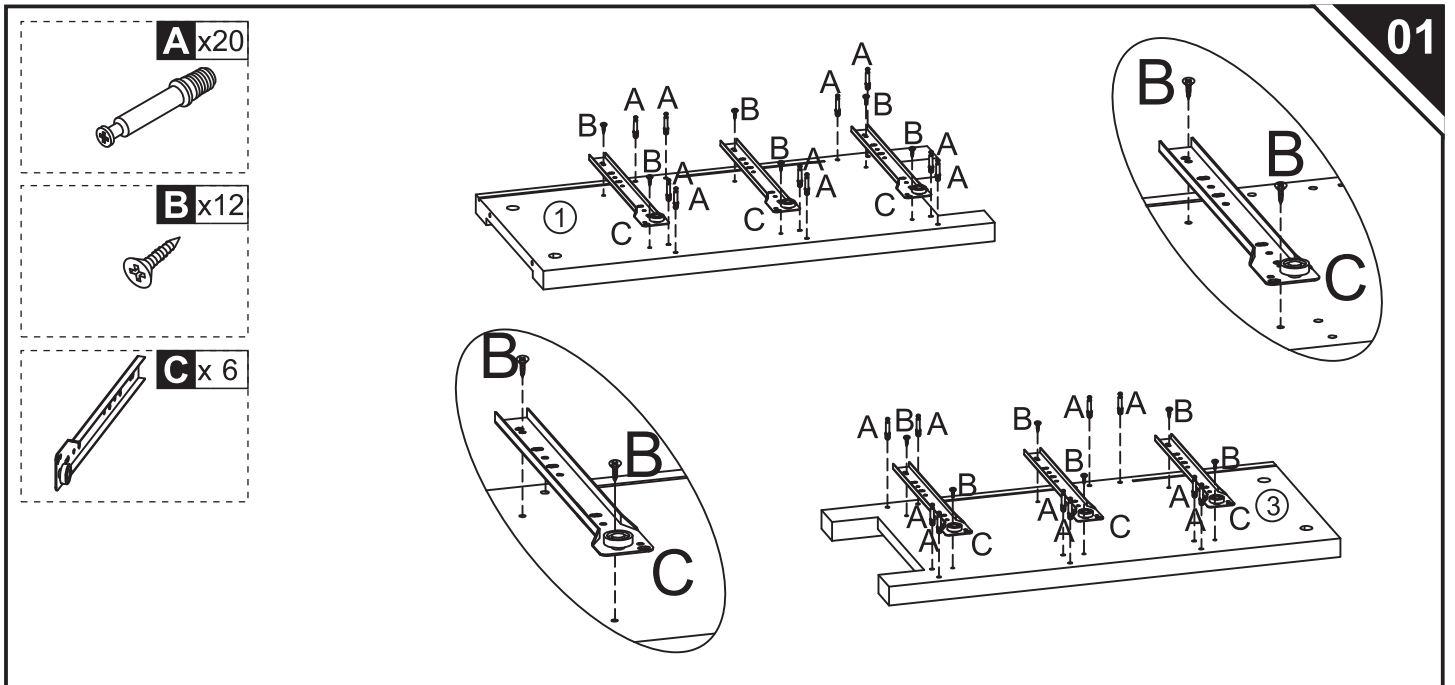
P x 1



Q x 1



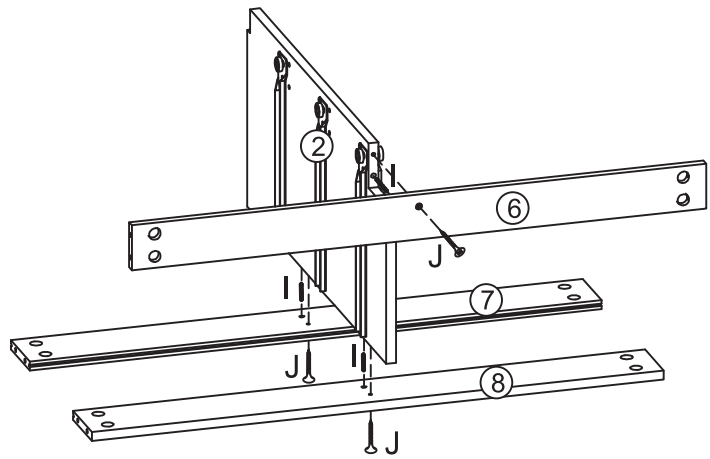
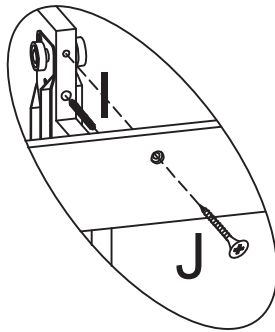
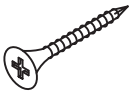
M4*45



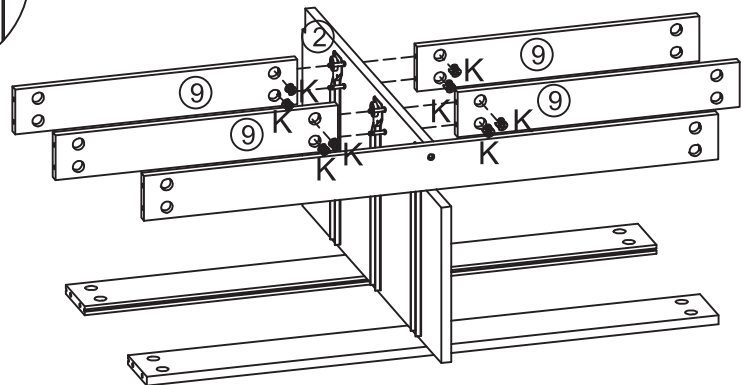
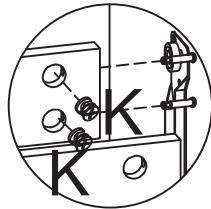
I x 3



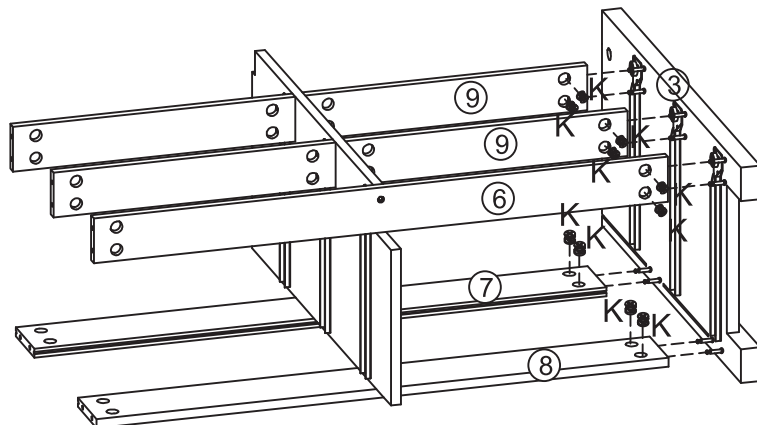
J x 3

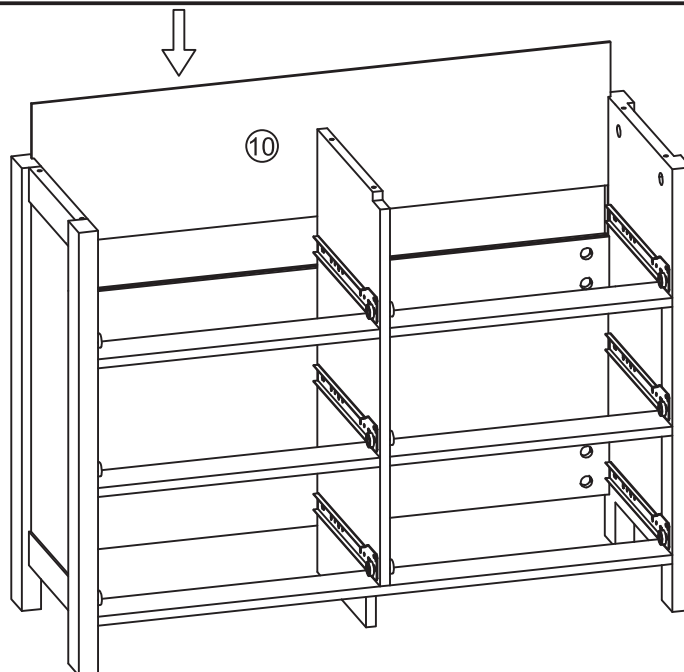
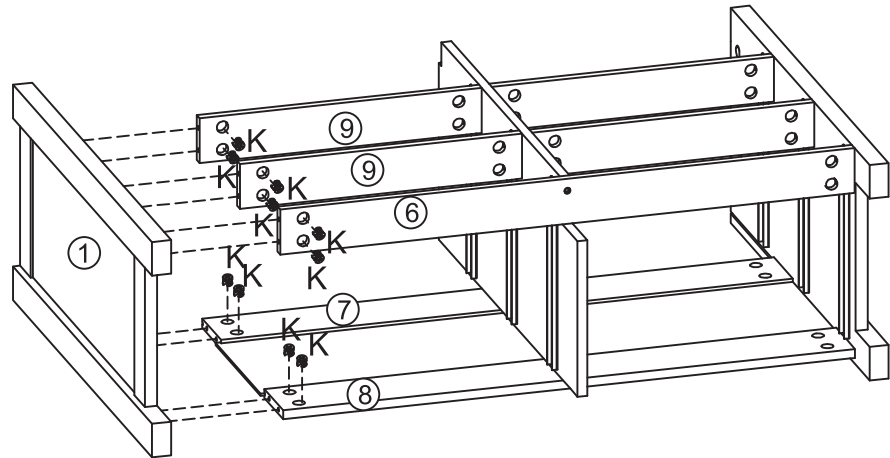
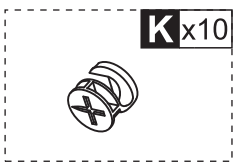
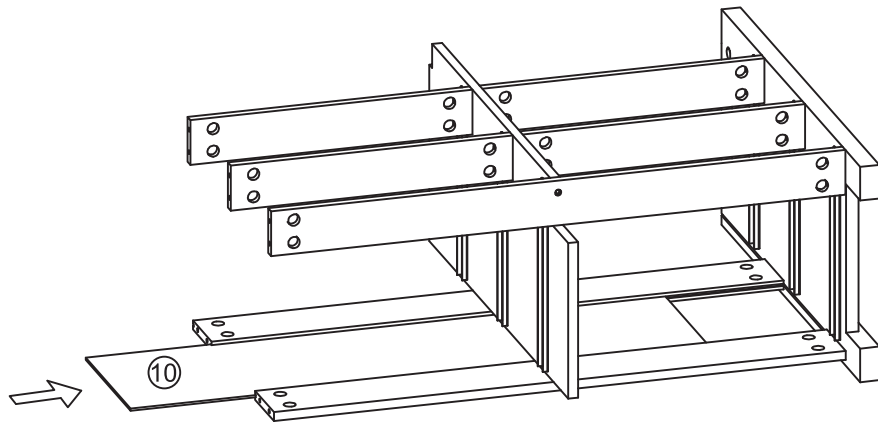


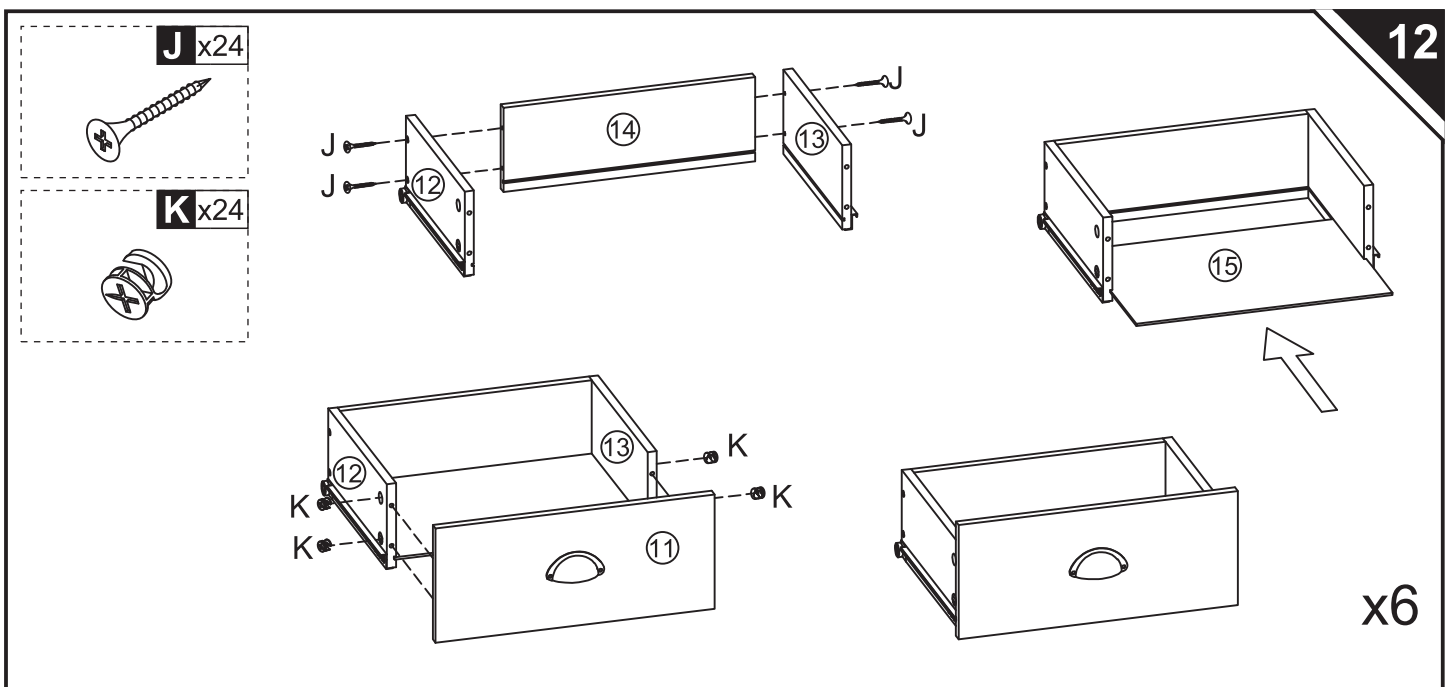
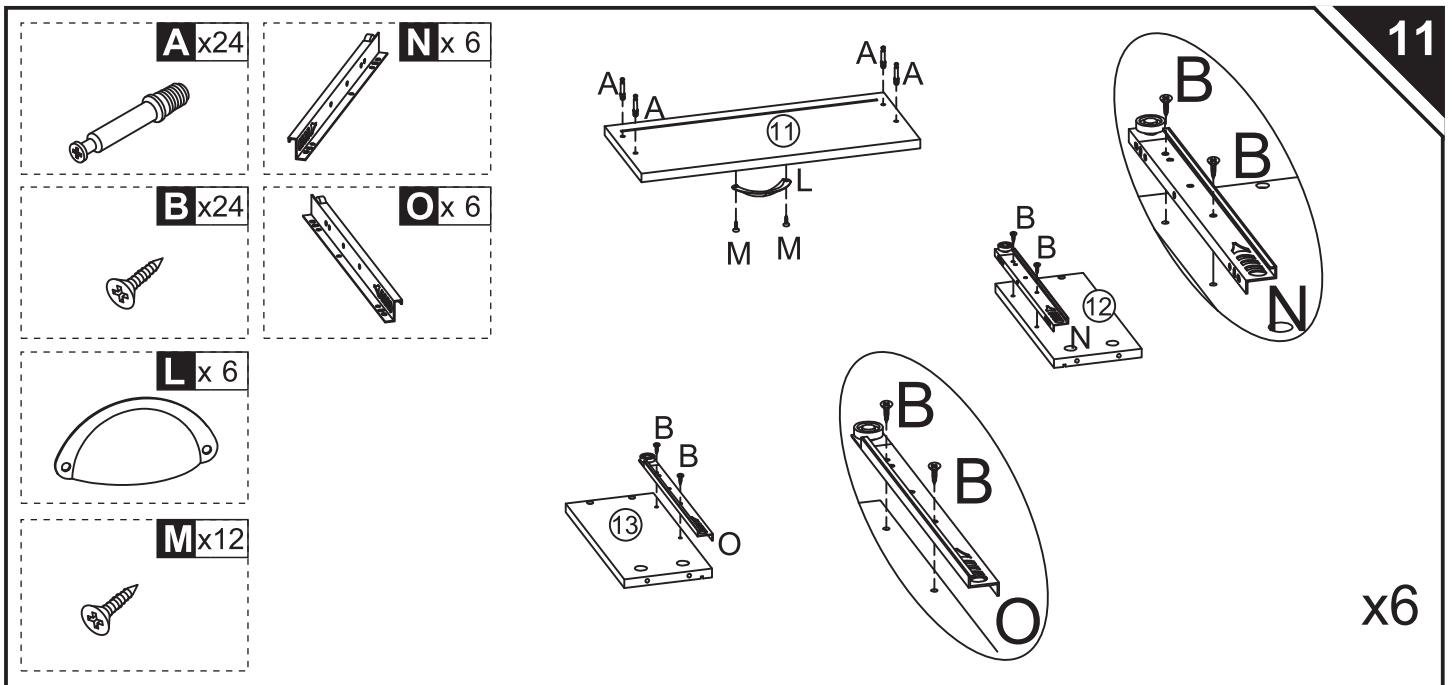
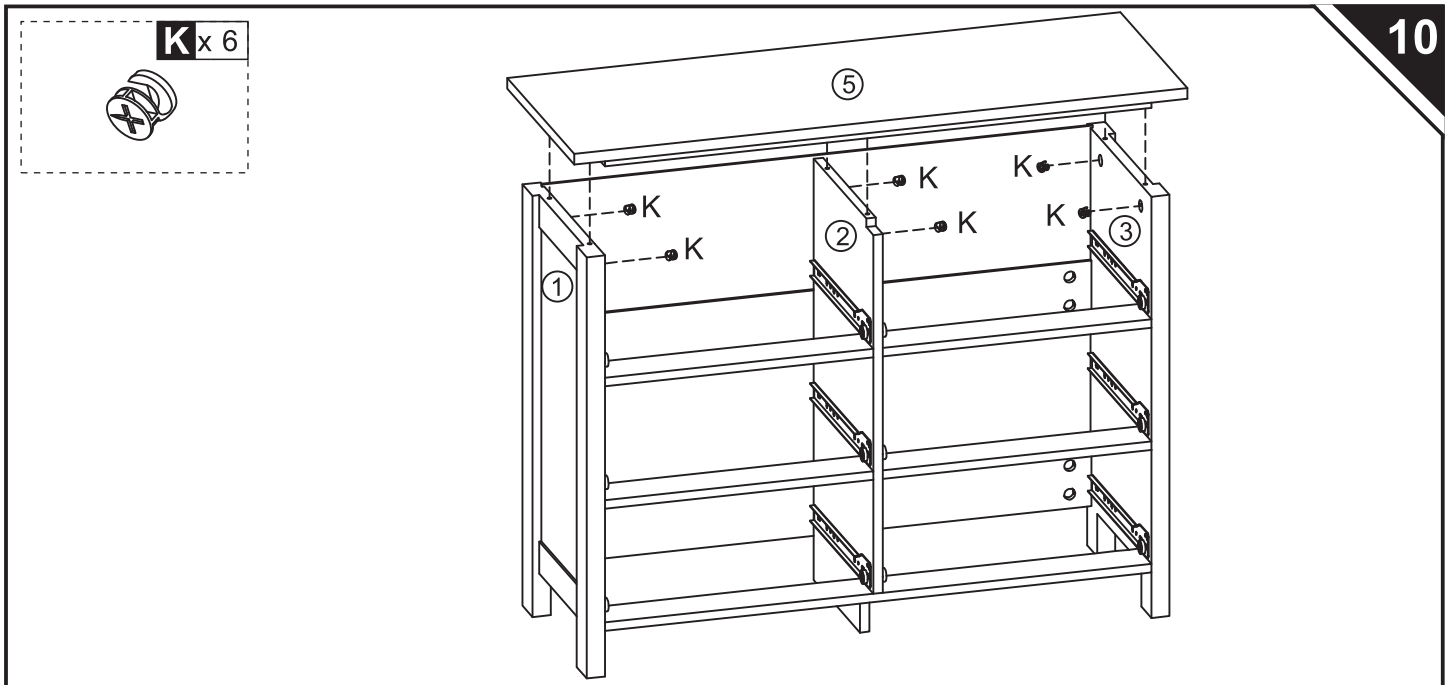
K x 8



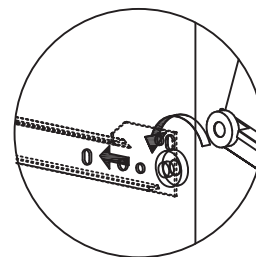
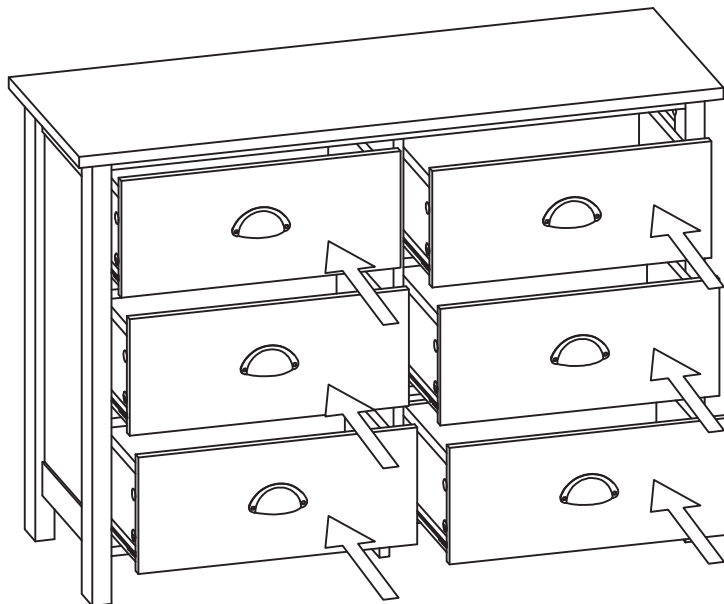
K x 10







13



14

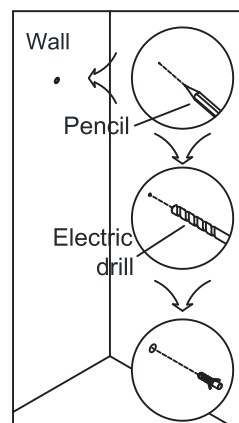
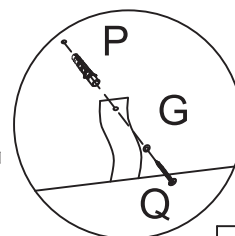
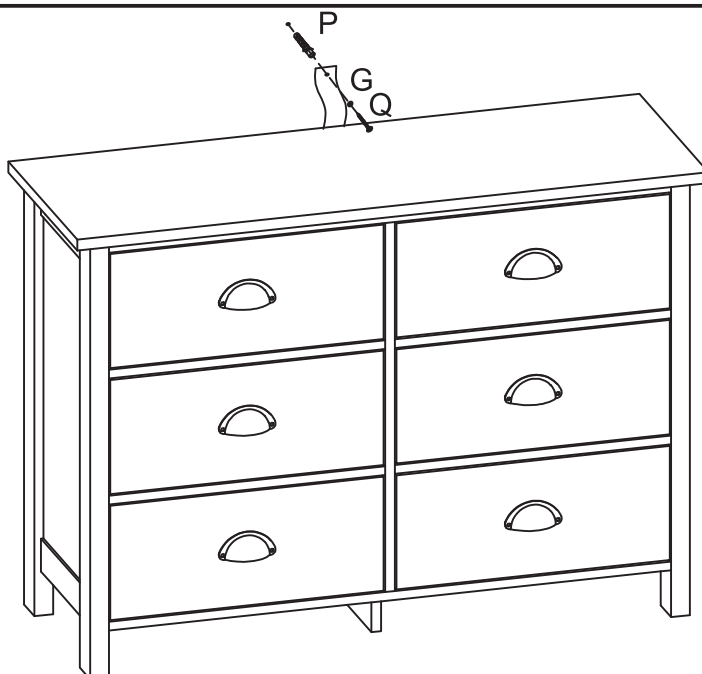
G x 1



P x 1



Q x 1



Done

