



INcrf026V01_GL

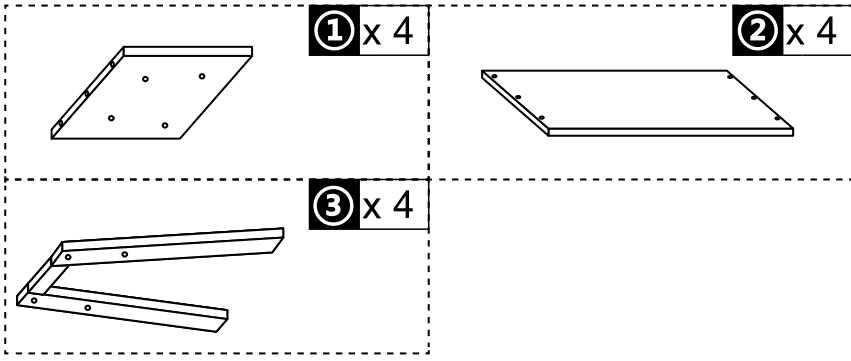
831-512



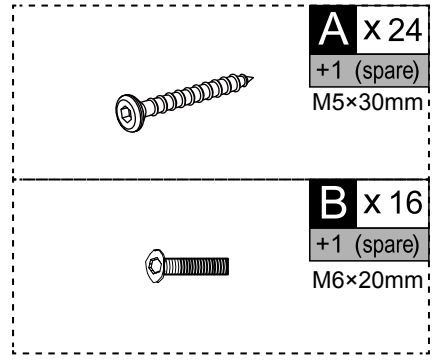
IMPORTANT, RETAIN FOR FUTURE REFERENCE: READ CAREFULLY

ASSEMBLY INSTRUCTION

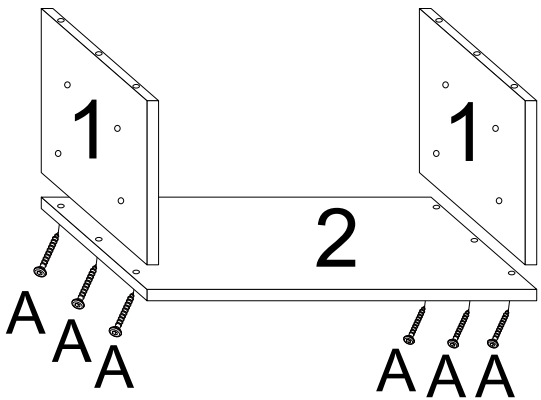
PARTS



HARDWARE

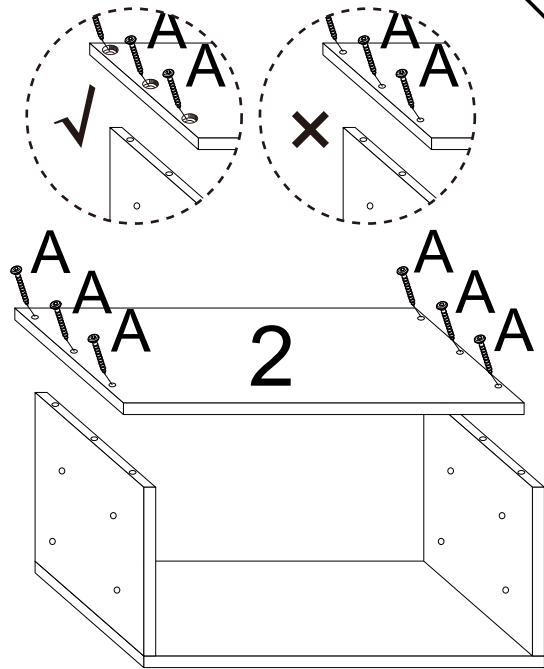


01



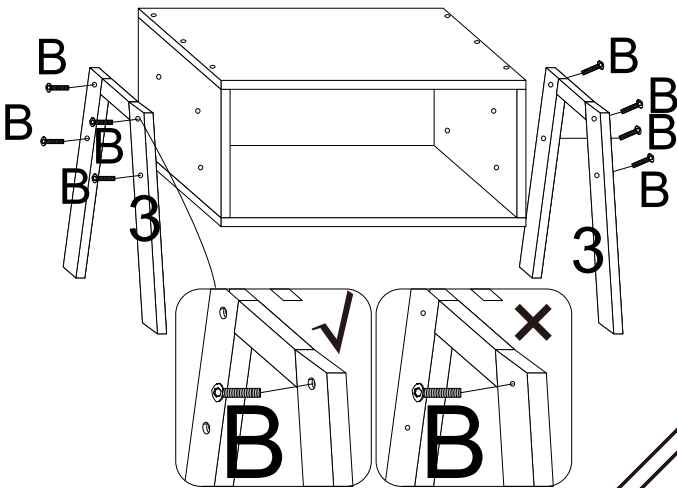
x2

02



x2

03



x2

04

