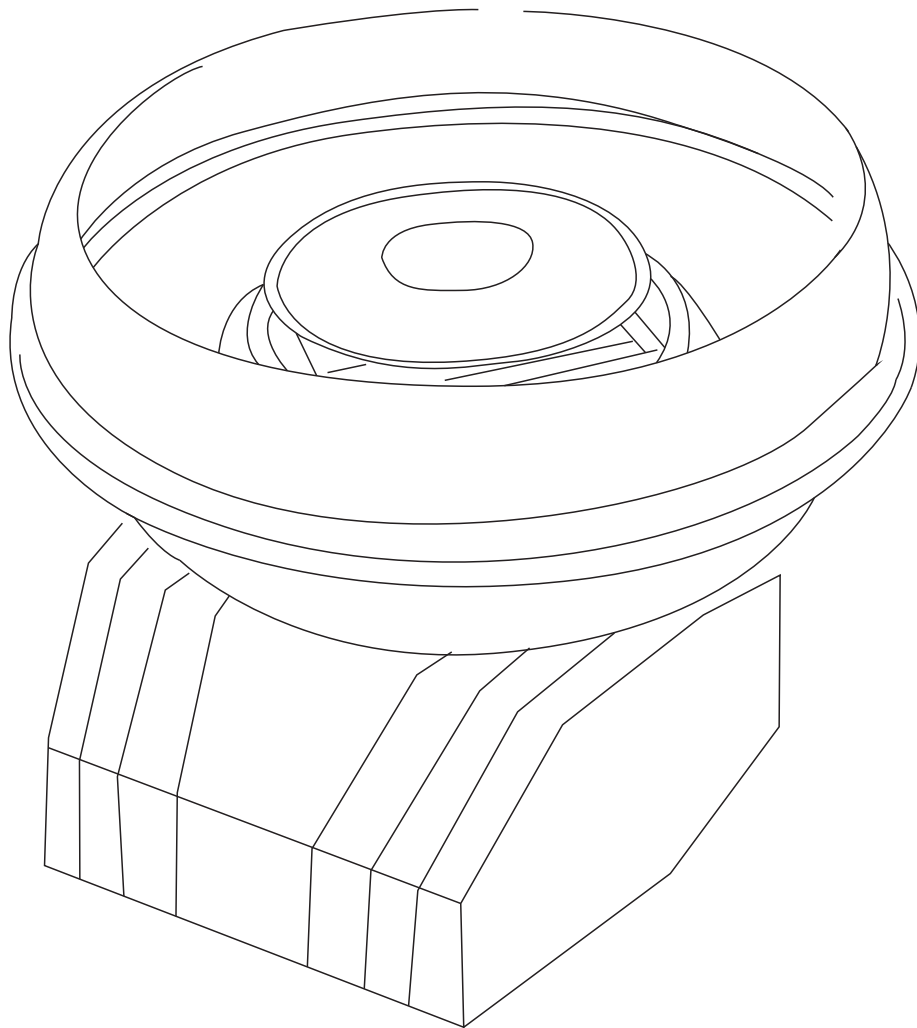




INcs041V01_UK

800-020



AC220-240V~50/60Hz 450-550W



IMPORTANT, RETAIN FOR FUTURE REFERENCE: READ CAREFULLY

ASSEMBLY & INSTRUCTION MANUAL

Thank you for purchasing a Homcom Candy floss maker.
Please read this instruction manual before use and store in a safe place for future reference.

SAFETY PRECAUTIONS

Do not touch the hot surfaces. Use the handle's or knob's.
To protect against electrical shock, do not immerse plug or any part of the unit in liquids.
Close supervision is necessary when any appliance is used by or near children.
Unplug from power socket when not in use and before removing any parts for cleaning.
Do NOT operate the appliance with a damaged cord, plug or if the item is damaged in any way.
Do NOT use outdoors.
Do NOT let the cord hang over the edge of countertops or any hot surfaces.
Do NOT place on or near any hot gases or electric burners.
Caution should be used when moving this appliance and re-locating.
Do NOT leave unit unattended while in use or when plugged in to a power socket.
Check in side heating element compartment for any foreign objects before switching ON the appliance.
Avoid contact until the item has cooled down after use.
Keep hands away from the machine when it is in the ON position and is spinning.
This appliance can be used by children aged from 8 years and above and persons with reduced physical, sensory or mental capabilities or lack of experience and knowledge if they have been given supervision or instruction concerning use of the appliance in a safe way and understand the hazards involved Children shall not play with the appliance. Cleaning and user maintenance shall not be made by children unless they are older than 8 and supervised
Keep the appliance and its cord out of reach of children less than 8 years.

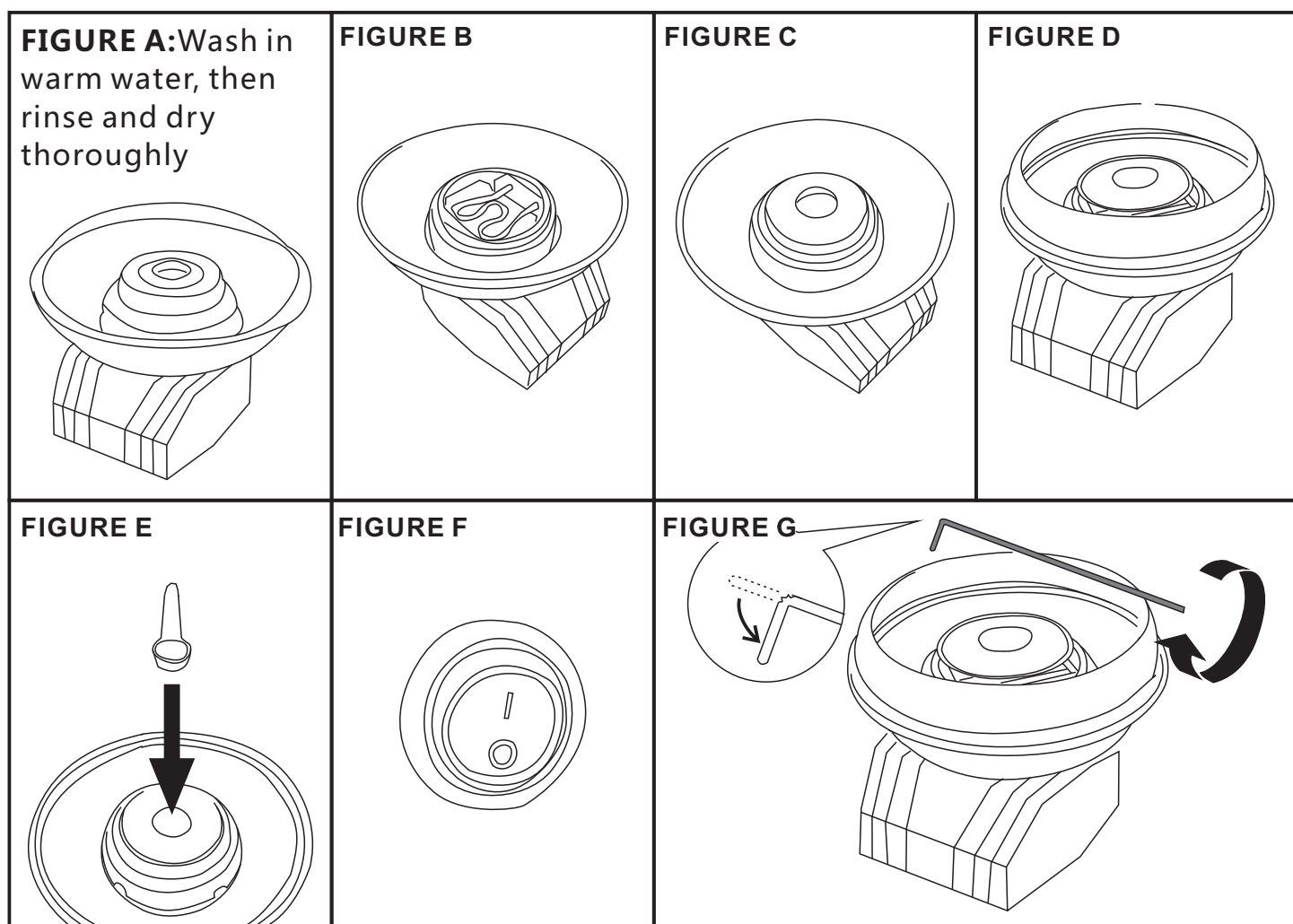


FIGURE G: ① Don't drop the sugar near the heating tube ② when rolling cotton candy in the operation diagram, put the bamboo stick horizontally and rotate it. Don't stretch the bamboo stick into the product and circle, there will be a risk that the sugar will fall into the heating tube

Please note that only granulated sugar can be used. (Please DO NOT use any cotton sugar or any type of that nature.)

1. Before use wash the turntable and bowl in cold or warm water, please ensure it then wiped clean with a soft cloth.
2. Connect the bowl to the body of the cotton candy maker, this can be done by placing from top and turning in an anticlockwise direction..
3. Push the turntable down in the appropriate position firmly.
4. To use the cotton candy maker place it on a flat surface..
5. Connect to a power outlet ready to use.
6. Turn on the cotton candy maker and let it pre-heat for 2 minutes. Please note that if the cotton candy maker starts to vibrate excessively the bowl may not be fitted correctly. Please switch off and unplug from power outlet and repeat instruction 3 until satisfied.
7. Once you are ready and the maker is pre-heated you are now ready to make cotton candy.
8. Pour a spoonful of white granulated sugar in the center of the turntable whilst the maker is still off.
9. Press the on Switch, and within 2 minutes the cotton candy will be ready to be made.
10. Use a bamboo stick to collect the cotton candy by rotating around the bowl, then placing it horizontally to collecting the rest.
11. Once all the cotton candy is made from the sugar that was poured you can now turn the machine off and enjoy your freshly made candy.
12. Repeat from stage 7 if you want to make more or if you have finished turn the maker off and use the cleaning process to make sure it is ready for next time.

ADDITIONAL WARNINGS

1. NEVER immerse in water.
2. NEVER use near water.
3. NEVER use an abrasive sponge or cloth when cleaning.
4. NEVER leave unit unattended while in use.
5. NEVER place anything other than the intended sugar in the extractor assembly head.
6. Unplug unit from power socket when not in use and when cleaning,
7. DO NOT operate this appliance with a damaged cord or plug.
8. DO NOT put in dishwasher.

Take Note

For optimum results be sure to turn unit ON and allow it to run for at least 5 minutes before starting.

This allows the unit to properly warm up before beginning to actually spin the cotton candy. Only add sugar to the extractor head when it has come to a complete stop.

To avoid clogging the unit never use ingredients other than pure granulated sugar.

Do NOT overfill the sugar receptacle.

Cotton candy is made by heating sugar which liquidises the sugar.

Next the sugary liquid is forced out of tiny holes in the extractor head by centrifugal force as the extractor head spins.

As the liquefied sugar hits the air it turns fluffy and fits a paper cone.

It is very important that the unit is cleaned properly after every use.

If it is not the holes will get clogged and sugar will be unable to pass through the tiny holes efficiently.

CARE AND CLEANING

1. Make sure unit is unplugged and has had time to cool down before cleaning.
2. After cooling remove the extractor head assembly by lifting upwards. UNLOCK bowl by turning clockwise and remove (figure B,C & D). Wash both in warm water then rinse and dry
3. Use a slightly damp non-abrasive sponge or non-abrasive towel to clean the outside of the unit and Wipe with a non-abrasive towel to dry.

ENVIRONMENTALLY-FRIENDLY DISPOSAL



Contact your local Environmental waste agency for information regarding the safe disposal of this item.

If electrical appliances are disposed of in landfills or dumps hazardous substances can leak into the groundwater and get into the food chain damaging your health and wellbeing.

SPECIFICATIONS

Voltage: 220-240V~50/60Hz

Wattage: 450 - 550W

Caution, hot surface



This appliances are not intended to be operated by means of an external timer or separate remote-control system.