

Fridge

READ AND SAVE THIS INSTRUCTION FOR FUTURE USE

ASSEMBLY INSTRUCTION

CONTENTS

Section	Page
1. Safety Information.....	1-4
2. Overview.....	5
3. Reverse Door.....	6-9
4. Installation.....	10-11
5. Daily Use.....	12-14
6.Troubleshooting.....	15



Safety Information

Before placing your new appliance into operation please read these operating instructions carefully. They contain important information for safe use, for installation and for care of the appliance.

Please keep these operating instructions for future reference. Pass them on to possible new owners of the appliance.

This appliance is not intended for use by persons (including children) with reduced physical, sensory or lack of experience and knowledge unless they have been given supervision or instruction concerning use of the appliance by a person responsible for their safety. Children should be supervised to ensure that they do not play with the appliance.

Children should not be allowed to carry out any cleaning or maintenance unless they are supervised.

Keep packaging material out of the reach of children! It can become a choking or suffocation hazard.

If you are discarding the appliance, ensure you cut the power connection cable (as close to the appliance as you can) and remove the door to prevent electrocution and from children locking accidentally locking themselves in.

General Safety and Precautions



WARNING! Place the appliance in a well-ventilated room, clear of obstruction



WARNING! Do not use mechanical devices or other means to accelerate the defrosting process, other than those recommended by the manufacturer



WARNING! Do not damage the refrigerant circuit.



WARNING! Do not use other electrical appliances (such as ice cream makers) inside of refrigerating appliances unless they are approved for this purpose by the manufacturer.



WARNING! Any electrical components (plug, power cord, compressor etc.) must be replaced by a certified service agent or qualified service personnel.



WARNING! The light bulb supplied with this appliance is a “special use bulb” intended only for use with the appliance and should not be used for domestic lighting.

- ◆ Do not store explosive substances such as aerosol cans with a flammable propellant in this appliance.
- ◆ The refrigerant isobutane (R600a) is contained within the refrigerant circuit of the appliance, a natural gas with a high level of environmental compatibility, which is nevertheless flammable.
- ◆ During transportation and installation of the appliance, ensure none of the components of the refrigerant circuit are damaged.

- ◆ avoid open flames and sources of ignition
- ◆ It is dangerous to alter or modify this product in any way. Any damage to the cord may cause a short circuit, fire and/or electric shock.
- ◆ This appliance is intended for domestic use only
- ◆ Power cord must not be lengthened.
- ◆ Ensure the power plug is not squashed or damaged by the back of the appliance as this can cause the cable to overheat a cause a fire.
- ◆ Ensure you can access the mains plug of the appliance easily
- ◆ When unplugging the appliance always pull the plug from the mains socket, do not pull on the cable
- ◆ If the power plug socket is loose, do not insert the power plug. There is a risk of electric shock or fire.
- ◆ This appliance is heavy. Care should be taken when moving it.
- ◆ Do not remove nor touch items from the freezer compartment with damp/wet hands, as this could cause skin abrasions or frost/freezer burns.
- ◆ Avoid prolonged exposure of the appliance to direct sunlight.

Daily Use

- ◆ Do not put hot items on the plastic parts in the appliance.
- ◆ Do not place food products directly against the rear wall.
- ◆ Frozen food must not be re-frozen once it has been thawed out.¹
- ◆ Store pre-packed frozen food in accordance with the packaged instructions.
- ◆ Manufactures storage recommendations should be strictly adhered to. Refer to relevant sections in this manual.
- ◆ Do not place carbonated drinks in the freezer compartment as it creates pressure on the container, which may cause it to explode, resulting in damage to the appliance.¹
- ◆ Do not put ice/ice lollies taken directly from the freezer into your mouth as this can cause frost burns.²

Care and Cleaning

- ◆ During cleaning and maintenance, please ensure you unplug the appliance from the mains supply.
- ◆ Do not clean the appliance with metal objects.
- ◆ Do not use sharp objects to remove frost from the appliance. Use a plastic scraper.¹
- ◆ Regularly examine the drain in the refrigerator for defrosted water. If necessary, clean the drain. If the drain is blocked, water will collect at the bottom of the appliance.²

¹ model with a freezer compartment

² model with a fresh-food storage compartment

Installation

Important! For electrical connection carefully follow the instructions given in specific paragraphs.

- ◆ Unpack the appliance and check for any damages. Do not connect the appliance if it is damaged. Report all damages immediately to the retailer and retain the packing.
- ◆ Please allow the unit to stand for at least four hours before connecting to allow the oil to flow back in the compressor.
- ◆ Allow adequate air circulation around the appliance to avoid overheating. To achieve sufficient ventilation, follow the instructions in the relevant section.
- ◆ Wherever possible the spacers of the product should be against a wall to avoid touching or catching warm parts (compressor, condenser) to prevent possible burn.
- ◆ The appliance must not be located close to radiators or cookers.
- ◆ Make sure that the mains plug is accessible after the installation of the appliance.


Service

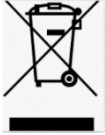
- ◆ This product must be serviced by an authorised Service Centre, and only genuine spare parts must be used.
- ◆ Any electrical work required after servicing of the appliance, should be carried out by a qualified electrician.

Energy Saving

- ◆ Do not put hot food in the appliance.
- ◆ Do not pack food close together as this prevents air circulation.
- ◆ Make sure food does not touch the back of the compartment(s).
- ◆ In the event of a power cut or malfunction, do not open the door(s).
- ◆ Do not open the door(s) frequently.
- ◆ Do not keep the door(s) open for too long time.
- ◆ Do not set the thermostat on exceeding cold temperatures.
- ◆ Some accessories, such as drawers, can be removed for a larger storage volume and lower energy consumption.


Environment Protection

This appliance does not contain gasses which could damage the ozone layer, in either its refrigerant circuit or insulation materials. The appliance shall not be discarded with domestic waste. The insulation foam contains flammable gases. Observe local environmental standards when disposing off the appliance, which can be obtained from your local authorities. Avoid damaging the cooling unit, especially the heat exchanger. The materials used on this appliance marked by the  symbol is recyclable.



This symbol on the product or on its packaging indicates this product may not be treated as household waste. It should be taken to the appropriate collection point for the recycling of electrical and electronic equipment. For more detailed information about recycling of this product, please contact your local council, your household waste disposal service, or the retailer where you purchased the product.

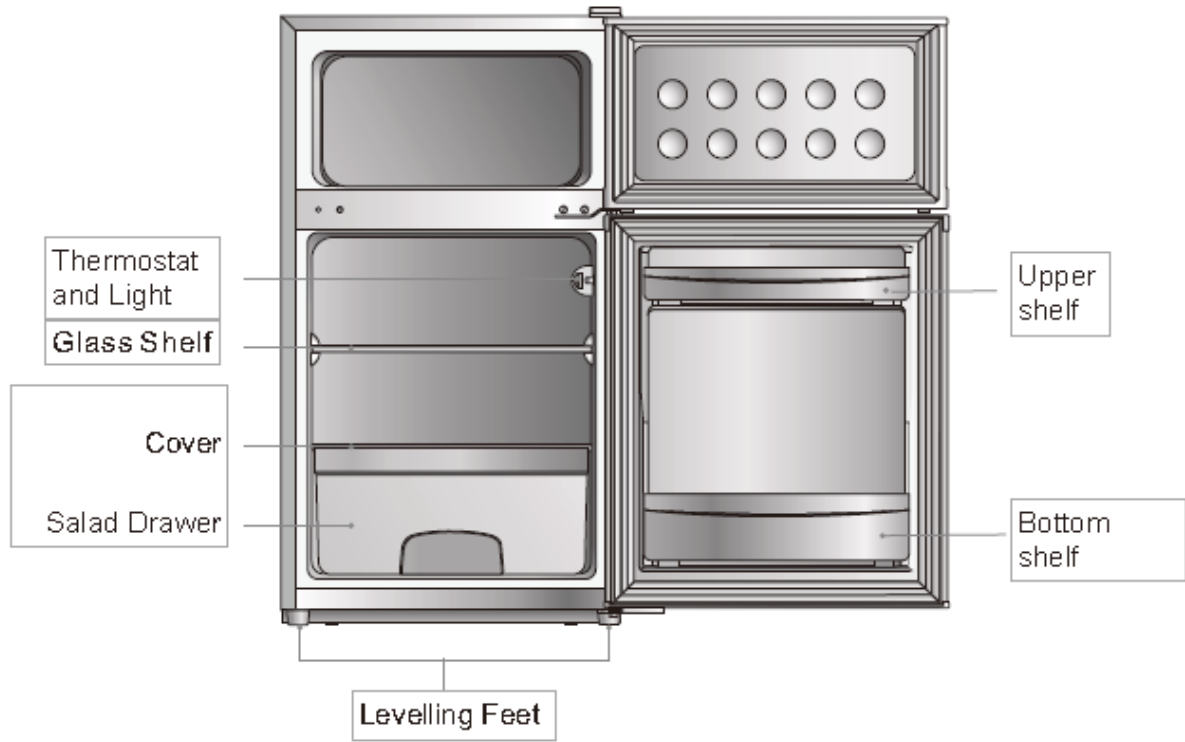
Packaging Materials

The materials with the  symbol are recyclable and should be disposed in suitable collection containers for recycling.

Disposal of the Appliance.

- ◆ Disconnect the mains plug from the mains socket.
- ◆ Cut off the mains cable and discard it.

Overview



The above diagram is for illustration purposes only and may vary between models.

Door Reversal

Tools required: Philips screwdriver, Flat bladed screwdriver, Hexagonal spanner.

Ensure the unit is unplugged and empty.

Remove any loose items/fittings from appliance.

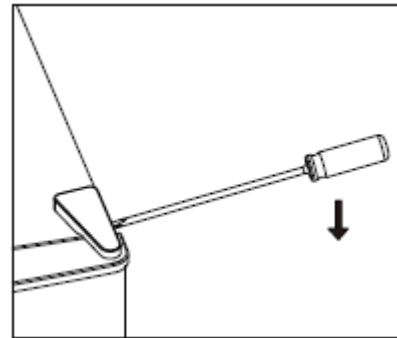
To remove the doors, it is necessary to tilt the unit backwards. You should rest the unit on something solid to stop the unit from slipping during the door reversing process.

All parts removed must be saved to complete the reinstallation of the door.

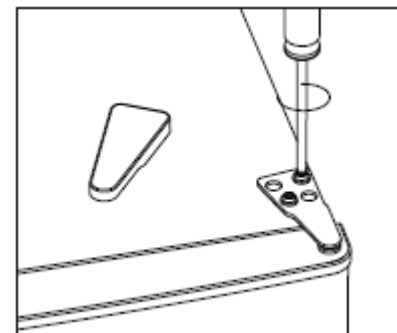
Do not lay the unit flat as this may damage the coolant system.

You may require assistance to carefully lay the appliance onto its back onto suitable protective materials (i.e. original packaging)

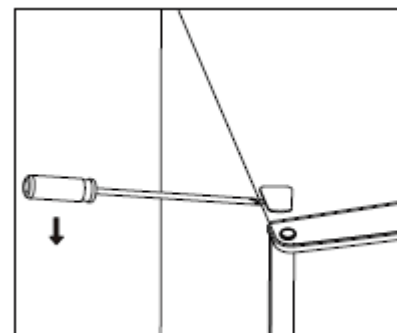
1. Carefully remove the top hinge cover with a flat screw driver.



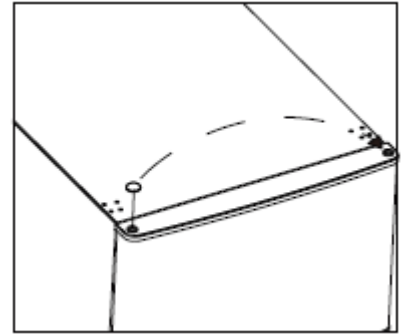
2. Unscrew the top hinge with a Philips screwdriver



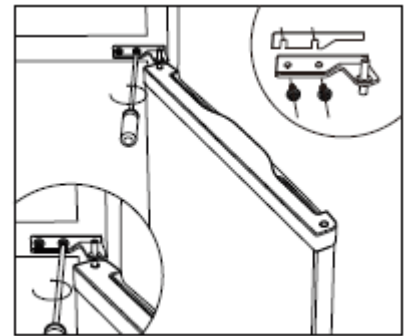
3. Remove the hole cover with a flat screwdriver



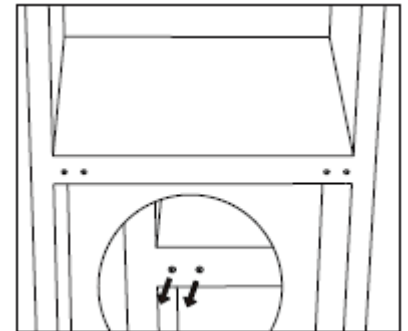
4. Move the core cover from the left to the right side. Lift the upper door and place it on a padded surface to prevent scratches.



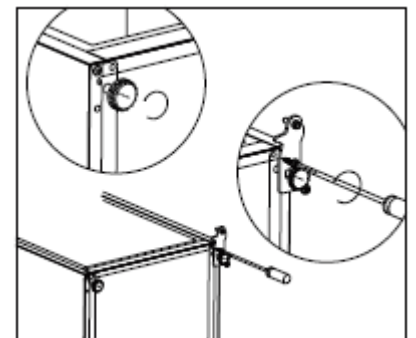
5. Unscrew the middle hinge and then lift the bottom door and place it on a soft pad to avoid scratches



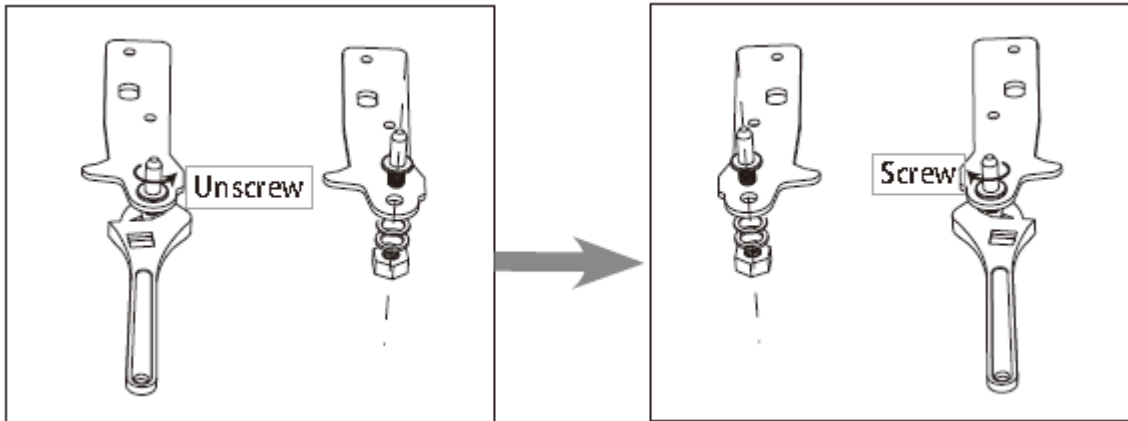
6. Move the two middle hole covers from the left side to the right side.



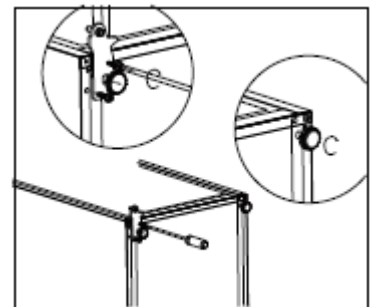
7. Lay the unit down on a soft pad to access the base. Unscrew the bottom hinge and levelling foot.



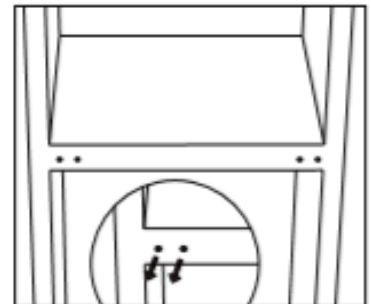
8. Unscrew and remove the bottom hinge pin, turn the bracket over and replace it.



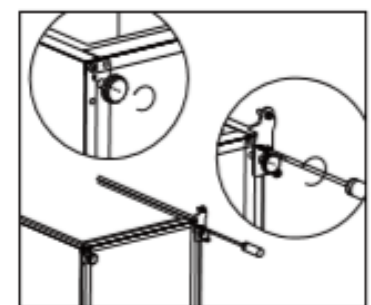
9. Install the hinge at the left-hand side and foot base on the right-hand side. Screw the two levelling feet with their original parts.



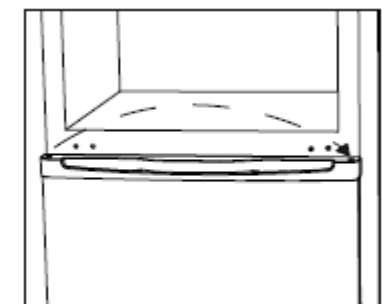
10. Move two middle hole covers from left to right.



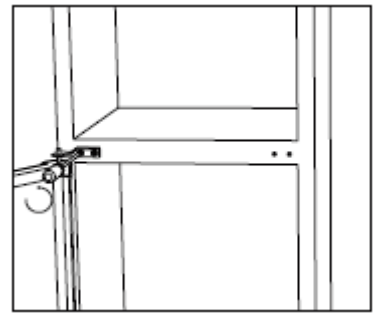
11. Lie down the rear of cabinet on a soft pad. And unscrew the bottom hinge and leveling foot.



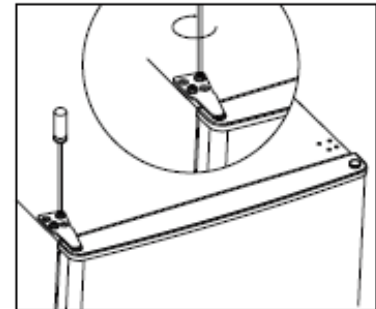
12. Stand the unit up and put the door on the bottom hinge. Ensure the bottom hinge core is inserted in the door hole. Move the hinge hold cover on the bottom door from left side to the right side.



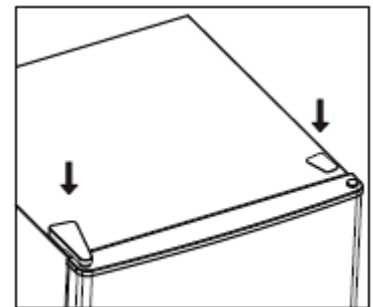
13. Install the middle hinge



14. Install the upper door with the upper hinge.



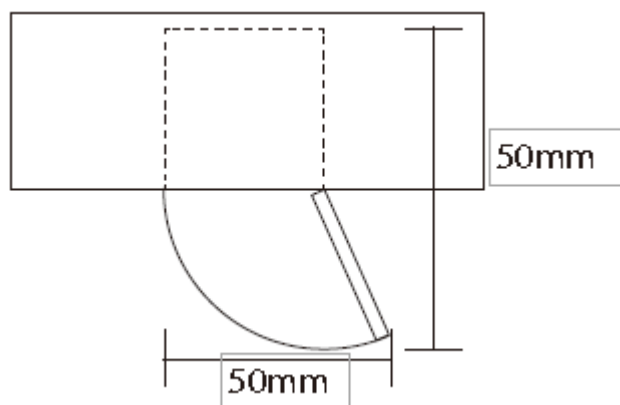
15. Clip in the hinge cover and hole cover on the top of the unit.



Installation

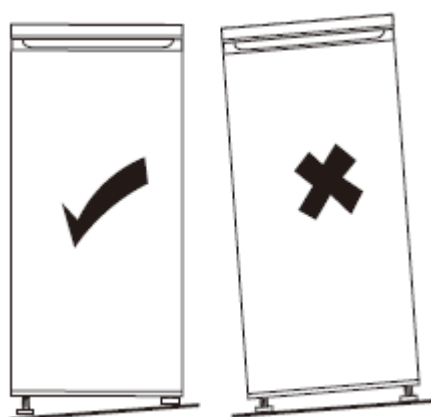
Space Requirement

- Keep enough space of door open.
- Keep at least 50mm gap at two sides



Levelling the Unit

- To do this adjust the two levelling feet at front of the unit.
- If the unit is not level, the doors and magnetic seal alignments will not be covered properly.



Positioning

Install this appliance at a location where the ambient temperature corresponds to the climate class indicated on the rating plate of the appliance:

Climate class	Ambient temperature
SN	+10°C to +32°C
N	+16°C to +32°C
ST	+16°C to +38°C
T	+16°C to +43°C

Location

The appliance should be installed away from sources of heat such as radiators, boilers, direct sunlight etc. Ensure that air can circulate freely around the back of the cabinet. To ensure best performance, if the appliance is positioned below an overhanging wall unit, the minimum distance between the top of the cabinet and the wall unit must be at least 100 mm. Ideally, however, the appliance should not be positioned below overhanging wall units. Accurate levelling is ensured by one or more adjustable feet at the base of the cabinet.



Warning! It must be possible to disconnect the appliance from the mains power supply; the plug must therefore be easily accessible after installation.

Electrical connection

Before plugging in, ensure that the voltage and frequency shown on the rating plate correspond to your domestic power supply. The appliance must be earthed. The power supply cable plug is provided with a contact for this purpose. If the domestic power supply socket is not earthed, connect the appliance to a separate earth in compliance with current regulations, consulting a qualified electrician. The manufacturer declines all responsibility if the above safety precautions are not observed. This appliance complies with the E.E.C. Directives.

Daily Use

First Use

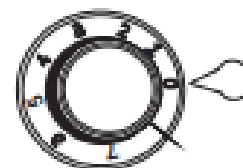
Cleaning the interior

Before connecting the appliance, clean the interior, compartments, and accessories well with lukewarm water and a mild soap and dry thoroughly.

Important! Do not use detergents or abrasive powders, as these will damage the finish.

Temperature Setting

- Plug in your appliance. The internal temperature is controlled by a thermostat. There are 8 settings. 1 is the warmest and 7 is the coldest setting. Zero (0) is off.
- The appliance may not operate at the correct temperature if it is in a particularly hot room or if you open the door often.



Freezing Fresh Food

- The freezer compartment is suitable for freezing fresh food and storing frozen and deep-frozen food.
- Place the fresh food to be frozen in the freezer compartment.
- The maximum amount of food that can be frozen in 24 hours is specified on the rating plate.
- The freezing process lasts 24 hours: during this period do not add other food to be frozen.

Storing frozen food

When first starting-up or after a period out of use, before placing products in the compartment allow the appliance to run for at least 2 hours on the higher setting.

Important! In the event of accidental defrosting, or a power cut lasting longer than the value shown in the technical characteristics chart under “rising time”, the defrosted food must be consumed quickly or cooked immediately and then re-frozen (after cooked). Ensure the food has been cooled completely.

Thawing

Deep-frozen or frozen food, prior to be used, can be thawed in the fridge compartment or at room temperature, depending on the time available for this operation.

Small pieces may even be cooked still frozen, directly from the freezer. In this case, the cooking time will take longer.

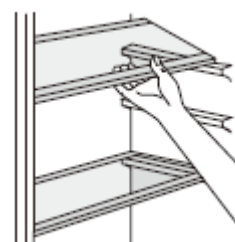
Ice-cube

This appliance may be equipped with one or more ice-cube trays.

Accessories

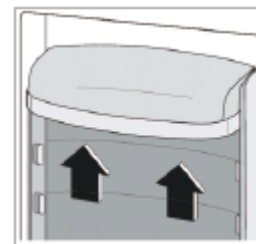
Movable shelves

The walls of the refrigerator are equipped with a series of runners so the shelves can be positioned as desired.



Positioning the door shelves

To permit storage of food packages of various sizes, the door shelves can be placed at different heights. To make these adjustments proceed as follows: gradually pull the balcony in the direction of the arrows until it comes free, then reposition as required.



Helpful hints and tips

To help you make the most of the freezing process, here are some important hints: -

- the maximum quantity of food which can be frozen in 24 hrs. is shown on the rating plate.
- the freezing process takes 24 hours. No further food to be frozen should be added during this period.
- only freeze top quality, fresh and thoroughly cleaned foodstuffs.
- prepare food in small portions to enable it to be rapidly and completely frozen and to make it possible subsequently to thaw only the quantity required.
- wrap up the food in aluminium foil or polythene and make sure that the packages are airtight.
- do not allow fresh, unfrozen food to touch food, which is already frozen, thus avoiding a rise in temperature of the latter.
- lean foods store better and longer than fatty ones; salt reduces the storage life of food.
- water ices, if consumed immediately after removal from the freezer compartment, can cause freezer/frost burn to the skin.
- it is advisable to show the freezing date on each individual pack to enable you to keep tab of the storage time.

Hints for storage of frozen food

To obtain the best performance from this appliance, you should:

- ensure commercially frozen foodstuffs were adequately stored by the retailer.
- Ensure frozen foodstuffs are transferred from the food store to the freezer in the shortest possible time.
- not open the door frequently or leave it open longer than necessary.
- once defrosted, food deteriorates rapidly and cannot be re-frozen.
- do not exceed the storage period indicated by the food manufacture.

Hints for fresh food refrigeration

For best performance: -

- Do not store warm food or evaporating liquids in the refrigerator
- Do cover or wrap the food, particularly if it has a strong flavour
- Make (all types): wrap in polythene bags and place on the glass shelves above the vegetable drawer.
- For safety, store in this way only for one to two days at most.
- Cooked foods, cold dishes, etc, should be covered and placed on any shelf.
- Fruit and vegetables: these should be thoroughly cleaned and placed in the special drawer(s) provided.
- butter and cheese: these should be placed in special airtight containers or wrapped in aluminium foil or polythene bags to exclude as much air as possible.
- Milk bottle: these should have a cap and should be stored in the door shelves.
- Bananas, potatoes, onions, and garlic, if not packed, must not be kept in the fridge.

Cleaning

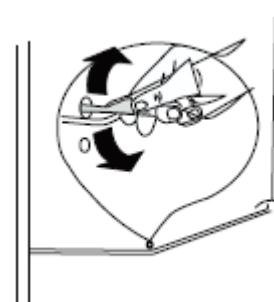
For hygienic reasons the appliance interior, including interior accessories, should be cleaned regularly.

Caution! The appliance may not be connected to the mains during cleaning. Danger of electrical shock! Before cleaning switch off the appliance from the mains and remove the plug. Never clean the appliance with a steam cleaner. Moisture could accumulate in electrical components and run the risk of electrical shock! Hot vapours can lead to the damage of plastic parts. The appliance must be dry before it is placed back into service.

Important! Ethereal oils and organic solvents can attack plastic parts, e.g. lemon juice or the juice from orange peel, butyric acid, cleanser that contain acetic acid.

Clean drain hole

To avoid defrost water overflowing into the fridge, periodically clean the drain hole at back of fridge compartment. Use a cleaner to clean the hole as shown in diagram opposite.



- Do not allow such substances to come into contact the appliance parts.
- Do not use any abrasive cleaners
- Remove the food from the freezer. Cover and store in a cool place.
- Clean the appliance and the interior accessories with a cloth and lukewarm water. After cleaning wipe with fresh water and rub dry.
- After everything is dry place appliance back into service.

Defrosting of the freezer

The freezer compartment, however, will become progressively covered with frost. This should be removed. Never use sharp metal tools to scrape off frost from the evaporator as you could damage it. When the ice becomes very thick on the inner liner, complete defrosting should be carried out as follows:

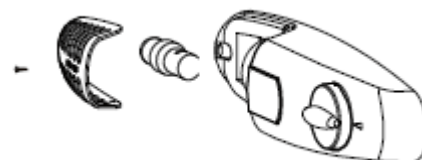
- Unplug the unit from the mains socket.
- remove all stored food, wrap it in several layers of newspaper and place in a cool place.
- keep the door open and place a basin underneath the appliance to collect the defrost water.
- when defrosting is completed, dry the interior thoroughly
- plug in the power socket to run the appliance again.

Replacing the lamp

Caution! Before replacing the lamp, ensure you disconnect the appliance from the mains power supply.

Lamp specification is listed in rating label. Follow below process to replace the lamp

1. Set the temperature regulation knob at number "0" to switch off the appliance.
2. Unplug the appliance to ensure the appliance is disconnected from main power supply.
3. Remove the screw of the lamp cover.
4. Pull the lamp cover out.
5. Unscrew the lamp.
6. Fit new lamp as illustrated in the diagram opposite, then replace the lamp cover and screw.
7. Plug in the appliance and regulate the knob to right position.



Troubleshooting

Caution! Before troubleshooting, disconnect the power supply. Only a qualified electrician person must perform any troubleshooting not in this manual.

Important! There are some sounds during normal use (compressor, refrigerant circulation).

Problem	Possible Cause	Solution
Appliance does not work	Temperature regulation knob is set at number "0"	Set the knob at other number to switch on the appliance.
	Mains plug is not pugged in or is loose	Plug into mains socket outlet
	Fuse has blown or is defective	Check fuse, replace if necessary.
	Socket is defective	Mains malfunctions are to be corrected by an electrician.
The food is too warm	Temperature is not properly adjusted.	Please look in the initial Temperature Setting section.
	Door was open for an extended period.	Open the door only if necessary.
	A large quantity of warm food was placed in the appliance within the last 24 hours.	Turn the temperature regulation to a colder setting temporarily.
	The appliance is near a heat source.	Please look in the installation location section.
Appliance cools too much	Temperature is set to very cold.	Turn the temperature regulation knob to a warmer setting temporarily.
Unusual noises	Appliance is not level	Re-adjust the feet.
	The appliance is touching the wall or other objects.	Move the appliance slightly.
	A component, e.g. a pipe, on the rear of the appliance is touching another part of the appliance or the wall.	If necessary, carefully bend the component out of the way.
Water on the floor	Water drain hole is blocked	See the Cleaning section.
Side panel is hot	Condenser is inside the panel.	It is normal

If the malfunction shows again, contact the Service Center.

US



001-877-644-9366
customerservice@aosom.com

CA



001-855-537-6088
customerservice@aosom.ca

UK



0044-800-240-4004
enquiries@mhstar.co.uk

DE



0049-(0)40-88307530
service@aosom.de

FR



0033-1-84166106
contact@aosom.fr

ES



0034-931294512
atencioncliente@aosom.es

IT



0039-0249471447
clienti@aosom.it