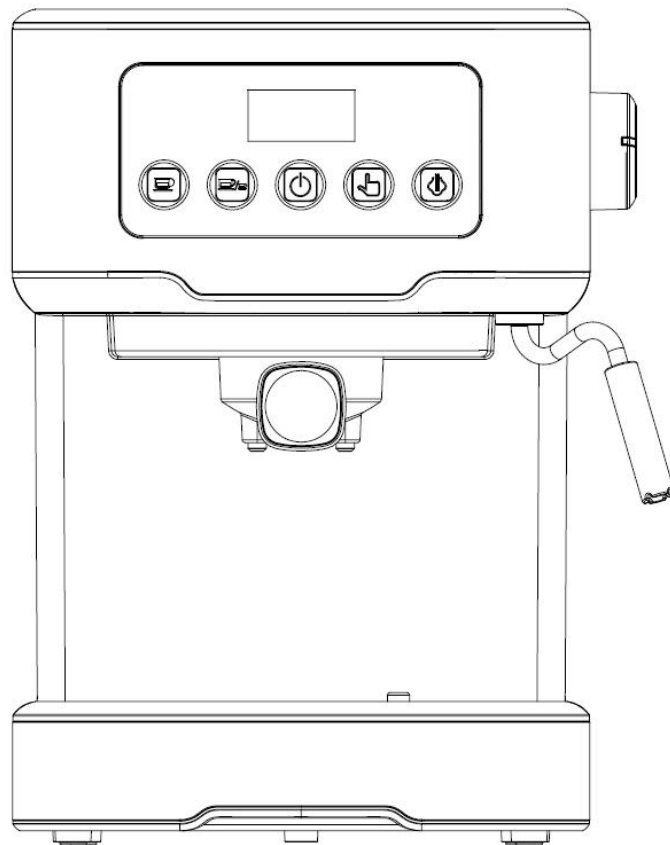




INcsb043_US_CA

800-108



IMPORTANT, RETAIN FOR FUTURE REFERENCE: READ CAREFULLY

ASSEMBLY & INSTRUCTION MANUAL

IMPORTANT SAFEGUARDS

Before using the electrical appliance, the following basic precautions should always be followed including the following:

1. Read all instructions.
2. Before using check that the voltage of wall outlet corresponds to rated voltage marked on the rating plate.
3. This appliance has been incorporated with a grounded plug. Please ensure the wall outlet in your house is well earthed.
4. To protect against fire, electric shock and injury to persons do not immerse cord, plug in water or other liquid.
5. Remove plug from wall outlet before cleaning and when not in use. Allow appliance cool down completely before taking off, attaching components or before cleaning.
6. Do not operate any appliance with a damaged cord or plug or after the appliance malfunctions, or is dropped or damaged in any manner, return appliance to the nearest authorized service facility for examination, repair or electrical or mechanical adjustment.
7. The use of accessory attachments not recommended by the appliance manufacturer may result in fire, electric shock or injury to persons.
8. Place appliance on flat surface or table, do not hang power cord over the edge of table or counter.
9. Ensure power cord do not touch hot surface of appliance.
10. Do not place the coffee maker on hot surface or beside fire in order to avoid being damaged.
11. To disconnect, remove plug from wall outlet. Always hold the plug. But never pull the cord.
12. Do not use appliance for other than intended use and place it in a dry environment.
13. Close supervision is necessary when your appliance is being used near children.
14. Be careful not to get burned by the steam.
15. Do not touch the hot surface of appliance. Use handle or knobs.
16. Do not let the coffee maker operate without water.
17. Do not remove the metal funnel when appliance is brewing coffee or when releasing steam.
18. Connect plug to wall outlet before using and turn any switch off before plug is removed from wall outlet.
19. This appliance can be used by children aged from 8 years and above and persons with reduced physical, sensory or mental capabilities or lack of experience and knowledge if they have been given supervision or instruction concerning use of the appliance in a safe way and understand the hazards involved. Children shall not play with the appliance. Cleaning and user maintenance shall not be made by children unless they are older than 8 and supervised.
20. Children should be supervised to ensure that they do not play with the appliance.
21. Operating or storing environment temperature shall be more than 0°C.
22. This appliance is intended to be used in household and similar applications such as:
 - staff kitchen areas in shops, offices and other working environments;
 - farm houses;

- by clients in hotels, motels and other residential type environments;
- bed and breakfast type environments.

23. Do not use outdoors.

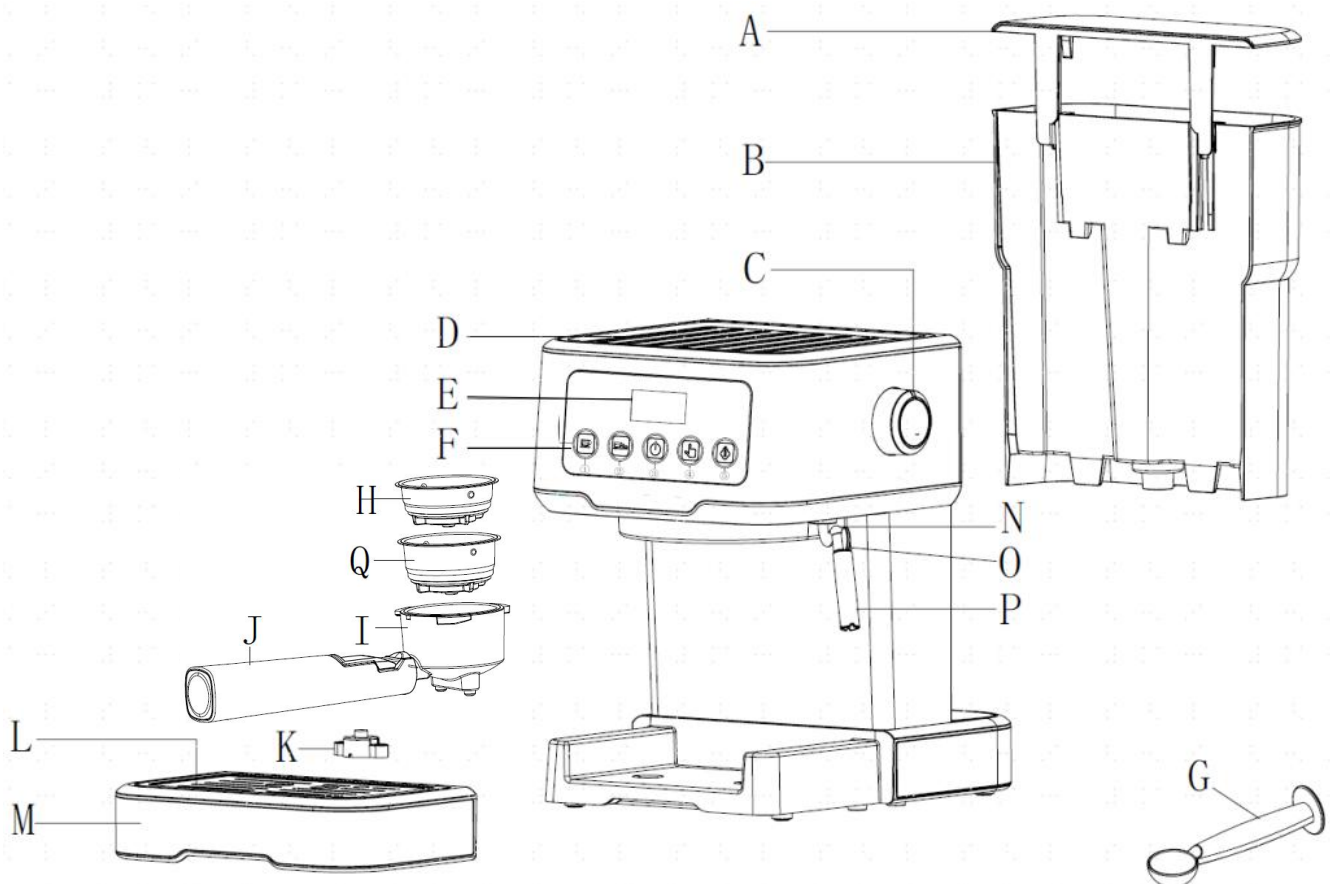
24. Save these instructions.

25. If you do not use the product for a long time, you need to turn on the power and then release steam for 3 minutes before leaving this product.

26. If you cut off power during steam release, residual heat will make product continue to release steam for a length of time, the product will stop releasing steam immediately once you turn off steam knob.

KNOW YOUR COFFEE MAKER

- | | | |
|--|-------------------------|------------------------|
| A. Water tank cover | B. Water tank | C. Steam control knob |
| D. Top cover | E. Nixie tube | |
| F. Control panel (①1-cup coffee button②2-cup coffee button③Power button④Manual coffee button⑤Steam button) | | |
| G. Measuring spoon | H. 1-Cup Steel mesh | I. Metal funnel |
| J. Funnel handle | K. Float cover | L. Removable cup shelf |
| M. Drip tray Froth nozzle | N. Steam conduit handle | O. Steam wand |
| P. Froth nozzle | Q. 2-Cup Steel mesh | |



BEFORE THE FIRST USE

To ensure the first cup of coffee tastes excellent, you should rinse the coffee maker with warm water as follows:

1. Open water tank cover, fill water into water tank, water level should not exceed the “MAX” mark

in water tank. Then replace the water tank cover.

Note: the appliance is supplied with a detachable water tank for easy cleaning, you can fill water tank with water first, and then attach water tank into the appliance.

2. Set steel mesh into metal funnel (no coffee in steel mesh), make sure the tube on the funnel aligns with groove in the appliance, then insert the funnel into the appliance from the “INSERT” position, and fix them into coffee maker firmly by turning it anticlockwise until it is at the “LOCK” position.

3. Place an jug on removable cup shelf. Make sure steam control knob is on the OFF position.

4. Connect into power source, press power button, power indicator is illuminated white, The indicators of 1- cup coffee button, 2-cup coffee button, manual coffee button and steam button flash, the machine begins preheating, after all indicators are solidly on, the preheating is completed

Note: if preheating is not completed yet, press 1-cup coffee button, 2-cup coffee button or manual coffee button, the pump does not work; if you want to make steam, press the steam button.

5. Press Manual coffee button, the unit will pump water for about 30s, pour out water in the cup then clean them thoroughly, now the appliance is ready for making coffee.

Note: There may be noise when pumping water for the first time, it is normal that the appliance is releasing the air inside. After about 20s, the noise will disappear.

Note: Before the first use, because there is no water in the boiler, the button indicator will flash to alarm quickly. Press the button of the free cup until the pump stops working and the product stops to alarm, and the coffee brewing operation can be started.

Note: The number displayed on the action panel indicates that the time it takes to make coffee is not an alarm clock.

PREHEATING

To make a cup of good hot Espresso coffee, we recommend you should preheat the appliance before making coffee, including metal funnel, steel mesh and cup, so that the coffee flavour can not be influenced by cold parts.

1. Remove detachable water tank and open water tank cover to fill it with desired water, the water level should not exceed the “MAX” mark in the tank. Then replace water tank
2. Set steel mesh into metal funnel, make sure the tube on the funnel aligns with groove in the appliance, then insert the funnel into the appliance from the “INSERT” position, and fix them into coffee maker firmly by turning it anticlockwise until it is at the “LOCK” position.
3. Place an espresso cup on removable cup shelf.
4. Then connect appliance to power supply. Make sure steam control knob is on the OFF position.
5. Press power button, power indicator is illuminated white, The indicators of 1- cup coffee

button, 2-cup coffee button and manual coffee button flash, the machine begins preheating, after all indicators are solidly on, it means that preheating is completed, press Manual coffee button, the machine pumps water, when there is water flowing out, press this coffee button again to stop pumping water immediately. The purpose of this step is to pump the water of water tank into boiler.

6. When coffee button indicator is illuminated, it indicates the preheating is finished.

MAKE ESPRESSO

1. Remove funnel by turning it clockwise. Add ground coffee into steel mesh with measuring spoon, a spoon of ground coffee powder can make about a cup of top-grade coffee, then press ground coffee powder tightly with the tamper.
2. Set steel mesh into metal funnel, make sure the tube on the funnel aligns with groove in the appliance, then insert the funnel into the appliance from the “**INSERT**” position, and fix them into coffee maker firmly by turning it anticlockwise until it is at the “**LOCK**” position.
3. Place a cup on removable cup shelf.
4. After preheating is completed, press 1-cup or 2-cup coffee button, the product will start brewing, working time for 1-cup coffee is 15 seconds and 25 seconds for 2-cup coffee . if you want to get the amount of coffee you like, press manual coffee button once, when your desired quantity of coffee is reached, press this button again to stop, for manual coffee button, working time is Max 90s, unit will automatically stop working if no any operation within 90s.
5. At the time corresponding coffee button indicator is to be illuminated, if it is extinguished, wait for a moment, once it is illuminated again, press corresponding coffee button, wait for a moment, there will be coffee flowing out.
4. Press Coffee button when desired coffee is obtained or the colour of coffee changes weak obviously, coffee maker stops working, if coffee button indicator is extinguished, wait for a moment, coffee button indicator will be illuminated again, you can continue to make coffee.
5. Press and hold 1-cup button for 3 seconds, 1-cup button flashes, entering setting mode, press 1-cup button again to start dispensing coffee, when the specified time is reached, press 1 cup button to complete setting which can be memorized by the unit. Working duration for 1-cup coffee can be set up to 45s, if working duration for 1-cup coffee is set, working duration for 2-cup coffee will be automatically updated to 2 times of that for 1-cup coffee ; Working duration for 2-cup coffee can be set up to 90s, if working duration for 2cup coffee is set, working duration for 1-cup coffee will be automatically updated to half of that for 2-cup coffee

WARNING: Do not leave the coffee maker unattended during making coffee, as you need operate manually sometimes!

6. After finish making coffee, take metal funnel out by turning it clockwise, then pour coffee residue out with steel mesh pressed by press bar.

-
7. Let them cool down completely, then rinse under running water.

MAKING HOT WATER

When the product is preheated, turn the steam knob to release the hot water and press the Manual coffee button to start the production of hot water. Press the Manual coffee button again to close the steam knob to finish the production of hot water.

MAKE CAPPUCCINO/FROTHED MILK

You get a cup of cappuccino when you top up a cup of espresso with frothed milk.

Method:

1. Prepare espresso first with container big enough according to the part “**MAKE ESPRESSO**”, make sure that steam control knob is at the OFF position.
2. Press Steam button, Coffee button indicator will be extinguished, wait until Steam button indicator is illuminated.

Note: During operation, Steam button indicator will cycle on and off to maintain desired temperature.

3. Fill a jug with about 100 ml of milk for each cappuccino to be prepared, you are recommended to use whole milk at refrigerator temperature (not hot!).

Note: In choosing the size of jug, it is recommended the diameter is not less than 70±5mm, and bear in mind that the milk increases in volume by 2 times, make sure the height of jug is enough.

4. Turn steam control knob slowly anti-clockwise, steam will come out from frothing nozzle

Note: Never turn steam control button rapidly, as the steam will accumulate rapidly within short time which may increase a potential risk of explosion.

5. Insert frothing nozzle into the milk about two centimetres, froth milk in the way of moving vessel round up and down.

6. When the required result is reached, turn steam control knob to OFF position.

Note: Clean steam outlet with wet sponge immediately after steam stops producing, but care not to hurt!

7. Pour the frothed milk into the espresso prepared, now the cappuccino is ready. Sweeten to taste and if desired, sprinkle the froth with a little cocoa powder.

8. Press Power button to cut off power. All indicators will be extinguished.

9. When the steam function is operated for more than 180 seconds in a single continuous

operation, the steam indicator flashes quickly for alarming, in this case, press coffee button to cool down, and the machine can resume standby after cooling down to normal temperature.

Note: If you want to make coffee immediately after making steam, coffee indicator will flash for alarming upon pressing coffee button, at this time you should turn steam control knob to the ON position to pump hot water in order to let unit cool down.

AUTOMATIC POWER OFF FUNCTION

If there is no any operation within 25 minutes, the unit will power off automatically.

CLEANING AND MAINTENANCE:

1. Turn off coffee maker and let the coffee maker cool down completely before cleaning.
 2. Clean housing of coffee maker with moisture-proof sponge often and clean water tank, drip tray and removable cup shelf regularly then dry them.
- Note:** Do not clean with alcohol or solvent cleanser. Never immerse the housing in water for cleaning.
3. Detach metal funnel by turning it clockwise, get rid of coffee residue inside, then clean it with cleanser, but at last rinse with clear water.
 4. Clean all the attachments in the water and dry them thoroughly.
 5. After the machine works for 500 cycles (including coffee, steam and other functions), all the indicators quickly flash 5 times at the same time once preheating is completed, reminding you of descaling, if you do not descale, this will happen every time when you use the machine; in standby state, at the same time press and hold Manual coffee button and 2-cup coffee button for 3s, and the two indicators quickly flash 3 times, reminding you of cancelling descaling, and the number of working cycles returns to zero.

CLEANING MINERAL DEPOSITS

1. To make sure your coffee maker operates efficiently, internal piping is clean and the flavor of coffee is optimal, you should clean away the mineral deposits left every 2-3 months.
2. Fill water tank with water and descaler to the MAX level (the proportion of water and descaler is 4:1, the detail refers to the instruction of descaler. Please use “household descaler”, you can use the citric acid (obtainable from chemist’s or drug stores) instead of the descaler (the one hundred parts of water and three parts of citric acid).
3. According to the preheating program, put the metal funnel (without coffee powder in it) and jug in place. Brew water as per “ **PREHEATING**”.
4. Press Power button, power indicator will be illuminated, press Coffee button, make sure steam control knob is in the Off position, when there is water flowing out, press Coffee button to

stop pumping, and wait for a moment, the coffee maker begins to preheat

5. When Coffee button indicator is illuminated, it shows preheating is finished. Press Coffee button and make two cups of coffee (about 2Oz). press Coffee button to stop pumping.

6. Press Steam button, Coffee button indicator will be extinguished, wait until Steam button indicator is illuminated. Make steam for 2min by turning steam control knob, then turn steam control knob to the OFF position to stop making steam. Press Power button to turn off the unit immediately, make the descaler deposit inside the unit at least 15 minutes.

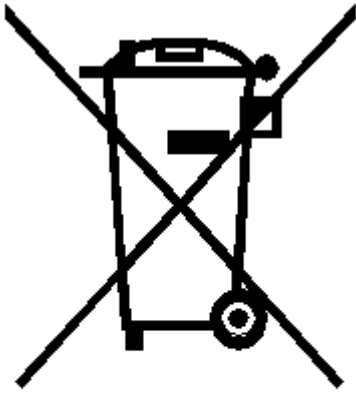
7. Press Power button to restart unit, wait until Coffee button indicator will be illuminated, then press Coffee button to brew until no descaler is left.

9. Brew with tap water in the MAX level, repeat steps 4-6 for 3 times, then brew until no water is left in water tank.

TROUBLE SHOOTING

Symptom	Cause	Corrections
The metal parts in the tank have rust.	Descaler is not recommended type. It may corrode the metal parts in the tank.	Use the descaler recommended by manufacturer.
Water leaks from the bottom of coffee maker.	There is much water in the drip tray.	Please clean the drip tray.
	The coffee maker is malfunction.	Please contact with the authorized service facility for repairing.
Water leaks out of outer side of filter.	There is some coffee powder on filter edge.	Get rid of them.
Acid (vinegar) taste exists in Espresso coffee.	No clean correctly after cleaning mineral deposits.	Clean coffee maker per the content in "before the first use" for several times.
	Coffee powder is stored in a hot, wet place for a long time. The coffee powder turns bad.	Please use fresh coffee powder, or store unused coffee powder in a cool, dry place. After opening a package of coffee powder, reseal it tightly and store it in a refrigerator to maintain its freshness.
Coffee maker cannot work any more.	Power outlet is not plugged well.	Plug the power cord into a wall outlet correctly, if the appliance still does not work, please contact with the authorized service facility for repairing.
Steam cannot froth.	The steam indicator is not illuminated.	Only after the steam indicator is illuminated, the steam can be used to froth.
	The container is too big or the shape not fits.	Use high and narrow container.
	You have used skimmed milk	Use whole milk or half-skimmed milk

Do not take apart the appliance by yourself if the cause of failure is not found, you had better contact the qualified servicing center.



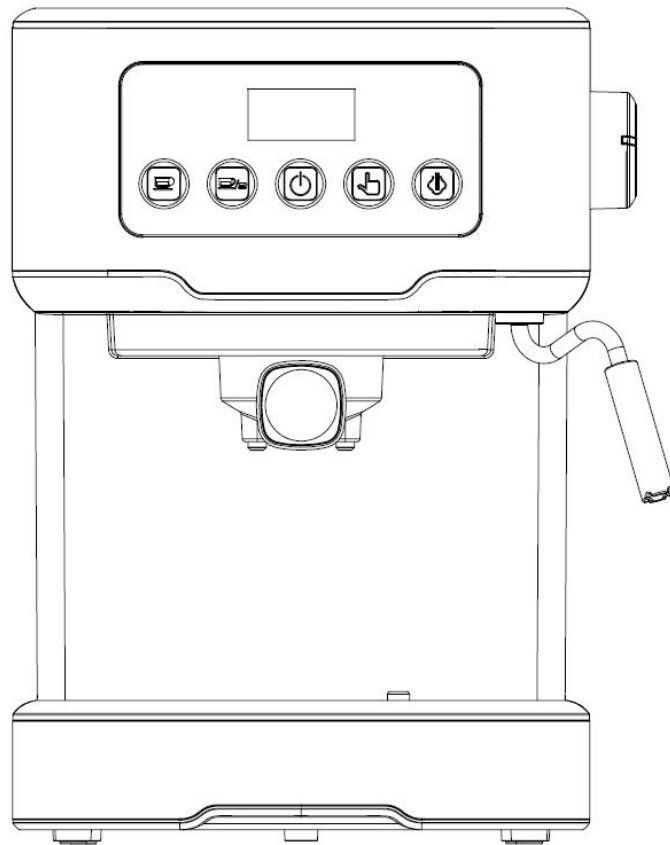
Environment friendly disposal

You can help protect the environment!
Please remember to respect the local regulations: hand in the non-working electrical equipment to an appropriate waste disposal center.



MACHINE À CAFÉ

MANUEL D'INSTRUCTIONS



CONSIGNES DE SECURITE IMPORTANTS

Avant d'utiliser l'appareil électrique, les précautions de base suivantes doivent toujours être respectées, notamment les suivantes :

1. Lisez toutes les instructions.
2. Avant d'utiliser l'appareil, vérifiez que la tension de la prise murale correspond à la tension nominale indiquée sur la plaque signalétique.
3. Cet appareil a été équipé d'une la fiche de mise à la terre. Veillez à ce que la prise murale de votre maison est bien mise à la terre.
4. Pour vous protéger contre les incendies, les chocs électriques et les blessures, n'immergez pas le cordon ou la fiche dans l'eau ou tout autre liquide.
5. Retirez la fiche de la prise murale avant le nettoyage et lorsque vous ne l'utilisez pas. Laissez l'appareil refroidir complètement avant le démontage et la fixation des composants ou le nettoyage.
6. Ne faites pas fonctionner un appareil dont le cordon ou la fiche est endommagé ou après un dysfonctionnement de l'appareil, une chute ou un dommage quelconque, retournez l'appareil au centre de service agréé le plus proche pour examen, réparation ou réglage électrique ou mécanique.
7. L'utilisation d'accessoires non recommandés par le fabricant de l'appareil peut entraîner un incendie, un choc électrique ou des blessures.
8. Placez l'appareil sur une surface plane ou une table, ne suspendez pas le cordon d'alimentation au-dessus du bord de la table ou du comptoir.
9. Veillez à ce que le cordon d'alimentation ne touche pas la surface chaude de l'appareil.
10. Ne placez pas la machine à café sur une surface chaude ou à côté du feu afin d'éviter qu'elle ne soit endommagée.
11. Pour débrancher, retirez la fiche de la prise murale. Tenez toujours la fiche. Mais ne tirez jamais sur le cordon.
12. N'utilisez pas l'appareil pour un usage autre que celui auquel il est destiné et placez-le dans un environnement sec.
13. Une surveillance étroite est requise e lorsque votre appareil est utilisé à proximité d'enfants.
14. Faites attention à ne pas vous brûler par la vapeur.
15. Ne touchez pas la surface chaude de l'appareil. Utilisez la poignée ou les boutons.
16. Ne laissez pas la machine à café fonctionner sans eau.
17. Ne retirez pas l'entonnoir métallique lorsque l'appareil prépare du café ou libère de la vapeur.
18. Connectez la fiche à la prise murale avant utilisation et éteignez tout interrupteur avant de retirer la fiche de la prise murale.
19. Cet appareil peut être utilisé par des enfants à partir de 8 ans et par des personnes ayant des capacités physiques, sensorielles ou mentales réduites ou manquant d'expérience et de connaissances, à condition qu'ils aient été supervisés ou qu'ils aient reçu des instructions concernant l'utilisation de l'appareil en toute sécurité et qu'ils comprennent les risques encourus. Les enfants ne doivent pas jouer avec l'appareil. Le nettoyage et l'entretien par

l'utilisateur ne doivent pas être effectués par des enfants, sauf s'ils ont plus de 8 ans et sont surveillés.

20. Les enfants doivent être surveillés afin de s'assurer qu'ils ne jouent pas avec l'appareil.

21. La température de l'environnement de fonctionnement ou de stockage doit être supérieure à 0°C.

22. Cet appareil est destiné à être utilisé dans des applications domestiques et similaires telles que :

- les cuisines du personnel dans les magasins, les bureaux et autres environnements de travail ;
- les maisons de ferme ;
- par les clients dans les hôtels, les motels et autres environnements de type résidentiel ;
- les environnements de type «chambre d'hôtel ».

23. N'utilisez pas l'appareil à l'extérieur.

24. Conservez ces instructions.

25. Si vous n'utilisez pas le produit pendant une longue période, vous devez mettre l'appareil sous tension, puis libérer la vapeur pendant 3 minutes avant de le quitter.

26. Si vous coupez le courant pendant la libération de la vapeur, la chaleur résiduelle fera que le produit continuera à libérer de la vapeur pendant un certain temps, l'appareil cessera de libérer de la vapeur immédiatement une fois que vous aurez éteint le bouton de vapeur.

CONNAÎTRE VOTRE MACHINE À CAFÉ

A. Couvercle du réservoir d'eau B. Réservoir d'eau C. Bouton de réglage de la vapeur

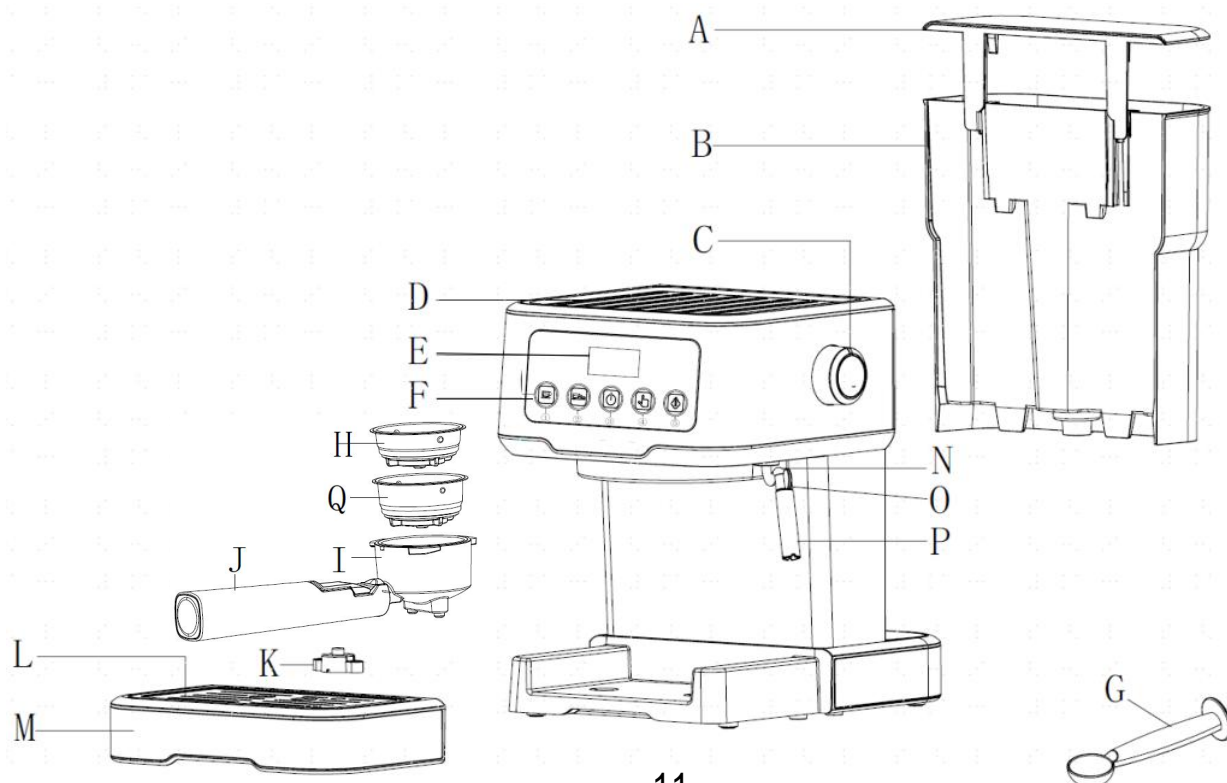
D. Couvercle supérieur E. Tube Nixie

F. Panneau de commande (①Bouton café 1 tasse ②Bouton café 2 tasses ③Bouton d'alimentation ④Bouton café manuel ⑤Bouton vapeur)

G. Cuillère à mesurer H. Treillis en acier pour 1 tasse I. Entonnoir en métal

J. Poignée de l'entonnoir K. Couvercle du flotteur L. Tablette amovible M. Bac égouttoir avec buse de moussage N. Poignée du conduit de vapeur O. Buse vapeur

P. Buse de moussage Q. Treillis en acier 2 tasses



AVANT LA PREMIÈRE UTILISATION

Pour que la première tasse de café ait un goût excellent, vous devez rincer la machine à café à l'eau chaude comme suit :

1. Ouvrez le couvercle du réservoir d'eau, remplissez le réservoir d'eau, le niveau d'eau ne doit pas dépasser le repère « MAX » dans le réservoir d'eau. Remettez ensuite le couvercle du réservoir d'eau en place.

Note : l'appareil est fourni avec un réservoir d'eau détachable pour faciliter le nettoyage. Vous pouvez d'abord remplir le réservoir d'eau, puis le mettre dans l'appareil.

2. Placez les treillis en acier dans l'entonnoir métallique (pas de café dans les mailles d'acier), veillez à ce que le tube de l'entonnoir s'aligne avec la rainure de l'appareil, puis insérez l'entonnoir dans l'appareil à partir de la position « **INSERTION** », et fixez-le bien dans la machine à café en le tournant dans le sens antihoraire jusqu'à ce qu'il soit en position « **VERROUILLAGE** ».

3. Placez une verseuse sur la tablette amovible. Veillez à ce que le bouton de réglage de la vapeur est sur la position OFF.

4. Connectez l'appareil à une source d'alimentation, appuyez sur le bouton d'alimentation, le voyant d'alimentation s'allume en blanc, les voyants du bouton café pour 1 tasse, du bouton café pour 2 tasses, du bouton café manuel et du bouton vapeur clignotent, l'appareil commence à préchauffer, lorsque tous les voyants sont allumés, le préchauffage est terminé.

Note : si le préchauffage n'est pas encore terminé, appuyez sur le bouton café 1 tasse, le bouton café 2 tasses ou café manuel, la pompe ne fonctionne pas ; si vous voulez faire de la vapeur, appuyez sur le bouton vapeur.

5. Appuyez sur le bouton Café manuel, l'appareil va pomper l'eau pendant environ 30s, verser l'eau dans les tasses puis les nettoyer soigneusement, l'appareil est maintenant prêt à faire du café.

Note : il peut y avoir un bruit lorsque vous pompez l'eau pour la première fois, il est normal que l'appareil libère l'air à l'intérieur. Après environ 20s, le bruit disparaîtra.

Note : avant la première utilisation, comme il n'y a pas d'eau dans la chaudière, Le voyant du bouton clignote rapidement pour donner l'alerte. Appuyez sur le bouton de la tasse libre jusqu'à ce que la pompe cesse de fonctionner et que l'appareil cesse de donner l'alerte, et l'opération de préparation du café peut commencer.

Note: Le nombre affiché sur le panneau de commande indique que le temps qu'il faut pour préparer du café n'est pas un réveil.

PRÉCHAUFFAGE

Pour préparer un café Espresso chaud délicieux, nous vous recommandons de préchauffer l'appareil avant de préparer le café, y compris l'entonnoir métallique, le treillis en acier et la tasse, afin que la saveur du café ne soit pas influencée par les parties froides.

1. Soulevez le réservoir d'eau amovible et ouvrez le couvercle du réservoir d'eau pour le

remplir avec l'eau souhaitée, le niveau d'eau ne doit pas dépasser le repère «MAX» dans le réservoir. Remettez ensuite le réservoir d'eau en place.

2. Placez les treillis en acier dans l'entonnoir métallique, veillez à ce que le tube de l'entonnoir s'aligne avec la rainure de l'appareil, puis insérez l'entonnoir dans l'appareil à partir de la position «**INSERTION**», et fixez-le bien dans la machine à café en le tournant dans le sens antihoraire jusqu'à ce qu'il soit en position «**VERROUILLAGE**».
3. Placez une tasse à espresso sur la tablette amovible.
4. Branchez ensuite l'appareil à l'alimentation électrique. Assurez-vous que le bouton de réglage de la vapeur est sur la position ARRET.
5. Appuyez sur le bouton d'alimentation, le voyant d'alimentation s'allume en blanc, les voyants du bouton café 1 tasse, du bouton café 2 tasses et du bouton café manuel clignotent, la machine commence le préchauffage, lorsque tous les voyants sont allumés, cela signifie que le préchauffage est terminé. Et appuyez sur le bouton café manuel, la machine pompe l'eau, lorsqu'il y a de l'eau qui s'écoule, appuyez à nouveau sur ce bouton café pour arrêter immédiatement le pompage de l'eau. Le but de cette étape est de pomper l'eau du réservoir d'eau dans la chaudière.
6. Lorsque le voyant du bouton café s'allume, cela indique que le préchauffage est terminé.

PREPARER UN ESPRESSO

1. Retirez l'entonnoir en le tournant dans le sens horaire. Ajoutez le café moulu dans la treillis en acier à l'aide d'une cuillère à mesurer, une cuillère de café moulu en poudre peut faire environ une tasse de café de qualité supérieure, puis pressez fermement le café moulu en poudre avec le presse-café.
2. Placez les mailles d'acier dans l'entonnoir métallique, assurez-vous que le tube de l'entonnoir s'aligne avec la rainure de l'appareil, puis insérez l'entonnoir dans l'appareil à partir de la position «**INSERTION**», et fixez-le bien dans la machine à café en le tournant dans le sens antihoraire jusqu'à ce qu'il soit en position «**VERROUILLAGE**».
3. Placez une tasse sur la tablette amovible.
4. Une fois le préchauffage terminé, appuyez sur le bouton café 1 tasse ou 2 tasses, l'appareil commence à infuser, le temps de travail pour le café 1 tasse est de 15 secondes et de 25 secondes pour le café 2 tasses. Si vous voulez obtenir la quantité de café souhaitée, appuyez une fois sur le bouton café manuel, lorsque la quantité de café souhaitée est atteinte, appuyez à nouveau sur ce bouton pour arrêter ; pour le bouton café manuel, le temps de travail est de 90s maximum, l'appareil s'arrête automatiquement si aucune opération n'est effectuée dans les 90s.
5. Au moment où le voyant du bouton café correspondant doit s'allumer, s'il s'éteint, attendez un moment, une fois qu'il s'allume à nouveau, appuyez sur le bouton café correspondant, attendez un moment, le café s'écoulera.
4. Appuyez sur le bouton café lorsque le café désiré est obtenu ou que la couleur du café change faiblement, la machine à café s'arrête de fonctionner, si le voyant du bouton café est éteint, attendez un moment, le voyant du bouton Café s'allumera à nouveau, vous pouvez continuer à faire du café.
5. Appuyez et maintenez le bouton 1 tasse pendant 3 secondes, le bouton 1 tasse clignote, entrant dans le mode de réglage, appuyez à nouveau sur le bouton 1 tasse pour commencer à distribuer le café. Lorsque le temps spécifié est atteint, appuyez sur le

bouton 1 tasse pour terminer le réglage qui peut être mémorisé par l'appareil. La durée de travail pour le café à 1 tasse peut être réglée jusqu'à 45s, si la durée de travail pour le café à 1 tasse est réglée, la durée de travail pour le café à 2 tasses sera automatiquement mise à jour à 2 fois celle du café à 1 tasse ; la durée de travail pour le café à 2 tasses peut être réglée jusqu'à 90s, si la durée de travail pour le café à 2 tasses est réglée, la durée de travail pour le café à 1 tasse sera automatiquement mise à jour à la moitié de celle du café à 2 tasses.

AVERTISSEMENT : Ne laissez pas la machine à café sans surveillance pendant la préparation du café, car vous devez parfois la faire fonctionner manuellement !

6. Une fois la préparation du café terminée, retirez l'entonnoir métallique en le tournant dans le sens horaire, puis versez les résidus de café à l'aide de la maille d'acier pressée par la barre de pression.
7. Laissez-les refroidir complètement, puis rincez-les sous l'eau courante.

PRÉPARER DE L'EAU CHAUDE

Lorsque l'appareil est préchauffé, tournez le bouton vapeur pour libérer l'eau chaude et appuyez sur le bouton café manuel pour commencer la production d'eau chaude. Appuyez à nouveau sur le bouton café manuel pour fermer le bouton vapeur et terminer la production d'eau chaude.

PREPARER UN CAPPUCCINO/LAIT MOUSSEUX

Vous obtenez une tasse de cappuccino lorsque vous complétez une tasse d'espresso avec du lait mousseux.

Méthode :

1. Préparez d'abord l'espresso avec un récipient suffisamment grand selon la partie «**FAIRE L'ESPRESSO**», assurez-vous que le bouton de réglage de la vapeur est sur la position ARRET.
2. Appuyez sur le bouton Vapeur, le voyant du bouton Café s'éteint, attendez que le voyant du bouton Vapeur s'allume.

Note : Pendant le fonctionnement, le voyant du bouton Vapeur s'allume et s'éteint alternativement pour maintenir la température souhaitée.

3. Remplissez une cruche avec environ 100 ml de lait pour chaque cappuccino à préparer. Il est recommandé d'utiliser du lait entier à la température du réfrigérateur (pas chaud !).

Note : Pour choisir la taille de la cruche, il est recommandé que le diamètre ne soit pas inférieur à 70±5mm, et gardez à l'esprit que le lait augmente de 2 fois en volume, assurez-vous que la hauteur de la cruche est suffisante.

4. Tournez lentement le bouton de réglage de la vapeur dans le sens antihoraire, la vapeur

sortira de la buse de moussage.

Note: ne tournez jamais le bouton de contrôle de la vapeur rapidement, car la vapeur s'accumulerait rapidement en peu de temps, ce qui pourrait augmenter le risque d'explosion.

5. Insérez la buse de moussage dans le lait à environ deux centimètres, faites mousser le lait en déplaçant le récipient de haut en bas.

6. Lorsque le résultat souhaité est atteint, tournez le bouton de réglage de la vapeur en position ARRET.

Note : Nettoyez la sortie de vapeur avec une éponge humide immédiatement après l'arrêt de la production de vapeur, mais faites attention à ne pas vous blesser !

7. Versez le lait mousseux dans l'espresso préparé, le cappuccino est maintenant prêt. Sucrez à votre goût et, si vous le souhaitez, saupoudrez la mousse d'un peu de cacao en poudre.

8. Appuyez sur le bouton Alimentation pour couper l'alimentation. Tous les voyants s'éteignent.

9. Lorsque la fonction vapeur est utilisée pendant plus de 180 secondes en une seule opération continue, l'indicateur de vapeur clignote rapidement pour vous alerter, dans ce cas, appuyez sur le bouton café pour refroidir, et la machine peut revenir en mode veille après avoir refroidi à une température normale.

Note : si vous voulez faire du café immédiatement après avoir fait de la vapeur, le voyant de café clignotera pour vous alerter lorsque vous appuierez sur le bouton de café, vous devrez alors tourner le bouton de réglage de la vapeur sur la position MARCHE pour pomper l'eau chaude afin de laisser l'appareil refroidir.

FONCTION D'ARRÊT AUTOMATIQUE

Si aucune opération n'est effectuée dans les 25 minutes, l'appareil s'éteint automatiquement.

NETTOYAGE ET ENTRETIEN :

1. Mettez hors tension la machine à café et laissez-la refroidir complètement avant le nettoyage.

2. Nettoyez souvent le boîtier de la machine à café avec une éponge anti-humidité et nettoyez régulièrement le réservoir d'eau, le bac égouttoir et la tablette amovible, puis séchez-les.

Note : Ne nettoyez pas l'appareil avec de l'alcool ou un solvant. Ne plongez jamais le boîtier dans l'eau pour le nettoyer.

3. Détachez l'entonnoir métallique en le tournant dans le sens horaire, débarrassez-vous des résidus de café à l'intérieur, puis nettoyez-le avec un produit nettoyant, et enfin rincez-le à l'eau claire.

4. Nettoyez tous les accessoires dans l'eau et séchez-les soigneusement.

5. Une fois que la machine a effectué 500 cycles (café, vapeur et autres fonctions), tous les voyants clignotent rapidement 5 fois en même temps, une fois le préchauffage terminé, pour vous rappeler qu'il faut détartrer. Si vous ne détartrerez pas, cela se produira à chaque fois que vous utiliserez la machine ; en mode veille, appuyez simultanément sur les boutons Café manuel et Café 2 tasses pendant 3 secondes, et les deux indicateurs clignotent rapidement 3 fois, pour vous rappeler que vous avez annulé le détartrage, et le nombre de cycles de travail revient à zéro.

NETTOYAGE DES DÉPÔTS MINÉRAUX

1. Pour assurer le bon fonctionnement de la machine à café, la propreté des tuyaux internes et la saveur optimale du café, vous devez nettoyer les dépôts minéraux tous les 2 ou 3 mois.

2. Remplissez le réservoir d'eau avec de l'eau et du détartrant jusqu'au niveau MAX (la proportion d'eau et de détartrant est de 4:1, le détail se réfère à l'instruction du détartrant. Veuillez utiliser un « détartrant ménager », vous pouvez utiliser de l'acide citrique (disponible en pharmacie ou en droguerie) à la place du détartrant (cent parts d'eau et trois parts d'acide citrique).

3. Selon le programme de préchauffage, mettez en place l'entonnoir métallique (sans poudre de café) et la cruche. Faites infuser l'eau selon le programme «**PRÉCHAUFFAGE**».

4. Appuyer sur le bouton Marche/Arrêt, le voyant d'alimentation s'allume, appuyer sur le bouton Café, s'assurer que le bouton de réglage de la vapeur est en position Arrêt, lorsque l'eau s'écoule, appuyer sur le bouton Café pour arrêter le pompage, et attendre un moment, la machine à café commence à préchauffer.

5. Lorsque le voyant du bouton Café s'allume, cela indique que le préchauffage est terminé. Appuyez sur le bouton Café et préparez deux tasses de café (environ 2Oz). Appuyez sur le bouton Café pour arrêter le pompage.

6. Appuyez sur le bouton Vapeur, le voyant du bouton Café s'éteint, attendez que le voyant du bouton Vapeur s'allume. Faites de la vapeur pendant 2 minutes en tournant le bouton de réglage de la vapeur, puis tournez le bouton de réglage de la vapeur sur la position ARRET pour arrêter de faire de la vapeur. Appuyez sur le bouton Marche/Arrêt pour éteindre immédiatement l'appareil, laissez le détartrant se déposer à l'intérieur de l'appareil pendant au moins 15 minutes.

7. Appuyez sur le bouton Marche/Arrêt pour redémarrer l'appareil, attendez que le voyant du bouton Café s'allume, puis appuyez sur le bouton Café pour infuser jusqu'à ce qu'il ne reste plus de détartrant.

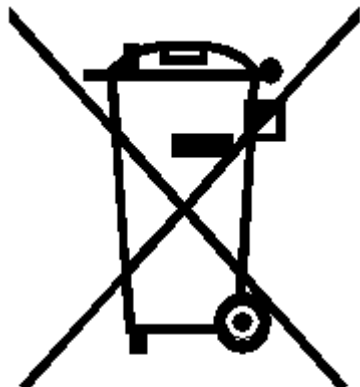
9. Infusez avec de l'eau du robinet au niveau MAX, répétez les étapes 4 à 6 pendant 3 fois, puis infusez jusqu'à ce qu'il n'y ait plus d'eau dans le réservoir.

DÉPANNAGE

Symptôme	Cause	Corrections
Les parties métalliques du réservoir sont rouillées.	Le détartrant n'est pas le type de produit recommandé. Il peut corroder les parties métalliques du réservoir.	Utilisez le détartrant recommandé par le fabricant.
De l'eau s'échappe du fond de la machine à café.	Il y a beaucoup d'eau dans le bac égouttoir	Veillez nettoyer le bac égouttoir
	La machine à café est en panne.	Veillez contacter le centre de service agréé pour réparation.
De l'eau s'échappe du côté extérieur du filtre.	Il y a un peu de poudre de café sur le bord du filtre.	Débarrassez-vous d'eux.
Le goût acide (vinaigre) existe dans le café Espresso.	Ne pas nettoyer correctement après le nettoyage des dépôts minéraux.	Nettoyez la machine à café selon le contenu de la rubrique «avant la première utilisation» pendant plusieurs fois.
	Le café en poudre est stocké dans un endroit chaud et humide pendant une longue période. Le café en poudre devient mauvais.	Veillez utiliser du café en poudre frais ou conserver le café en poudre non utilisé dans un endroit frais et sec. Après avoir ouvert un paquet de café en poudre, refermez-le hermétiquement et conservez-le au réfrigérateur pour préserver sa fraîcheur.
La machine à café ne fonctionne plus.	La prise de courant n'est pas bien branchée.	Branchez correctement le cordon d'alimentation dans une prise murale. Si l'appareil ne fonctionne toujours pas, contactez le centre de service agréé pour réparation.
La vapeur ne peut pas mousser.	Le voyant de vapeur n'est pas allumé.	Ce n'est qu'une fois le voyant de vapeur allumé que la vapeur peut être utilisée pour faire mousser.
	La tasse est trop grande ou la forme ne convient pas.	Utilisez une tasse haute et étroite.
	Vous avez utilisé du lait écrémé	Utilisez du lait entier ou du lait demi-écrémé.

Ne démontez pas l'appareil vous-même si la cause de la panne n'est pas trouvée, il vaut mieux de contacter le centre de service agréé.

Elimination respectueuse de l'environnement



Vous pouvez contribuer à la protection de l'environnement !

N'oubliez pas de respecter les réglementations locales : remettez l'équipement électrique hors service à un centre de traitement des déchets approprié.

US



001-877-644-9366
customerservice@aosom.com

CA



001-855-537-6088
customerservice@aosom.ca

UK



0044-800-240-4004
enquiries@mhstar.co.uk

DE



0049-(0)40-88307530
service@aosom.de

FR



0033-1-84166106
contact@aosom.fr

ES



0034-931294512
atencioncliente@aosom.es

IT



0039-0249471447
clienti@aosom.it