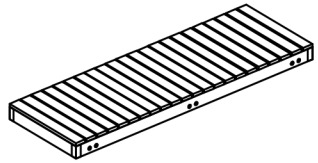
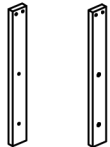


# ASSEMBLY INSTRUCTION

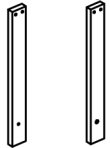
**(A)**  
THE FRAME TOP x 01 PC



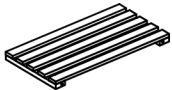
**(B)**  
THE LEGS #1 x 04 PCS



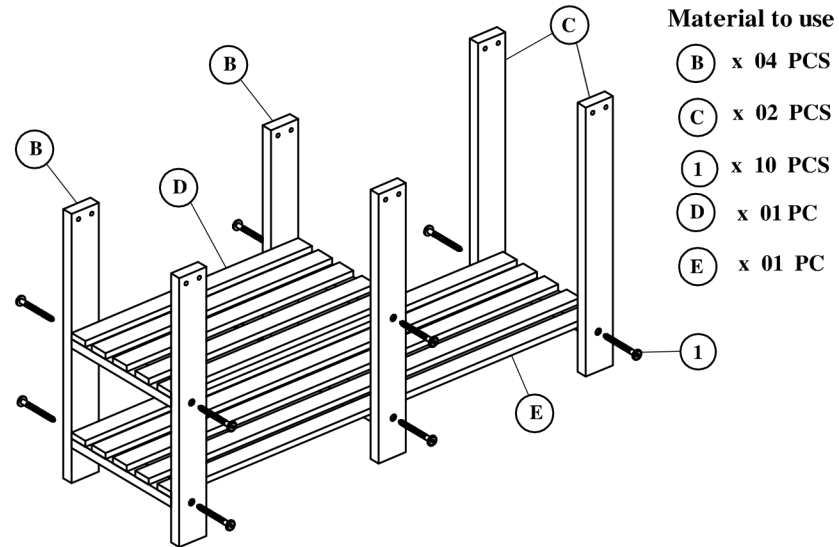
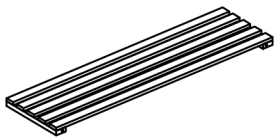
**(C)**  
THE LEGS #2 x 02 PCS



**(D)**  
THE FRAME MIDDLE x 01 PC



**(E)**  
THE FRAME BELOW x 01 PC

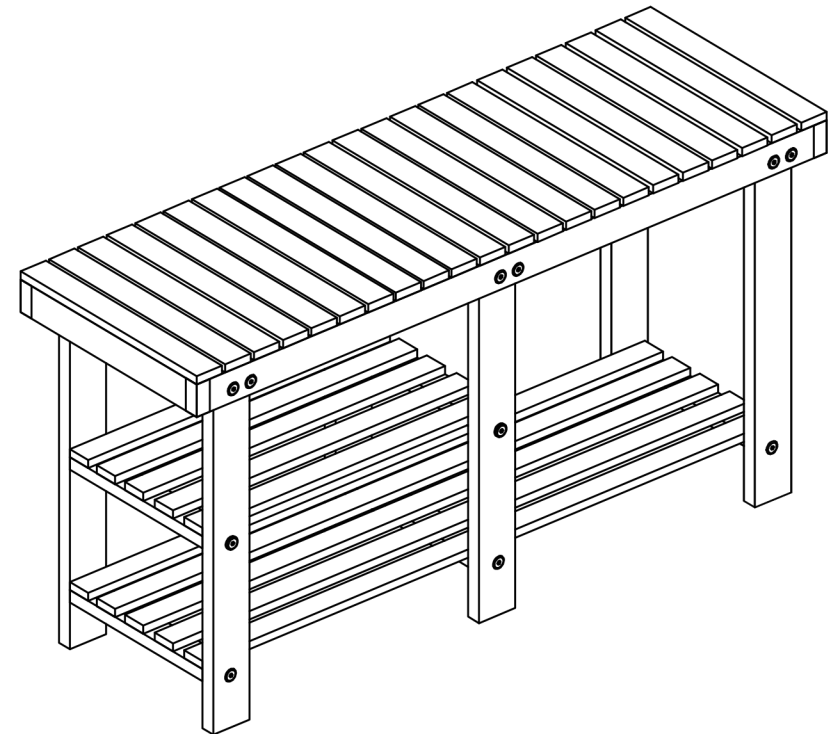
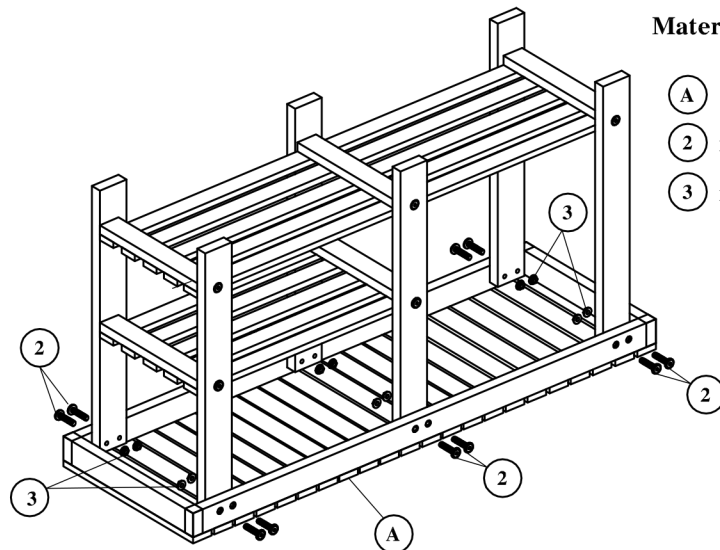


Material to use

- (B)** x 04 PCS
- (C)** x 02 PCS
- (1)** x 10 PCS
- (D)** x 01 PC
- (E)** x 01 PC

Material to use

- (A)** x 01 PC
- (2)** x 12 PCS
- (3)** x 12 PCS



833-443

