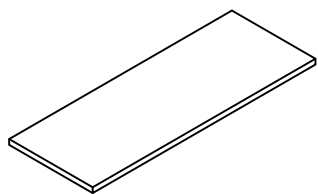


2-3Hours

READ AND SAVE THIS INSTRUCTION FOR FUTURE USE

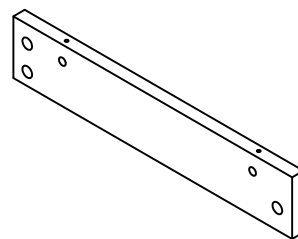
**ASSEMBLY INSTRUCTION**

1



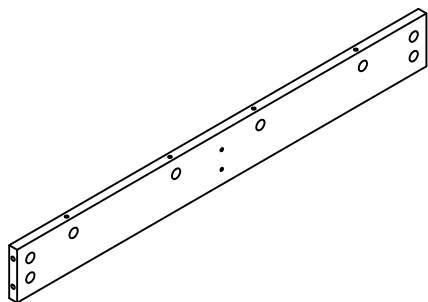
1 PC

2



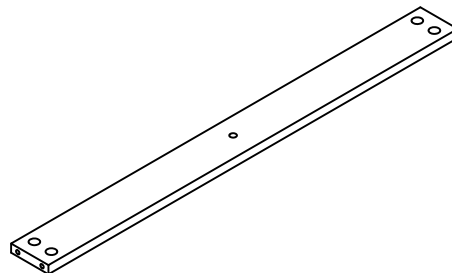
1 PC

3



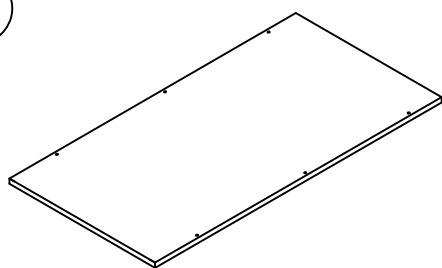
1 PC

4



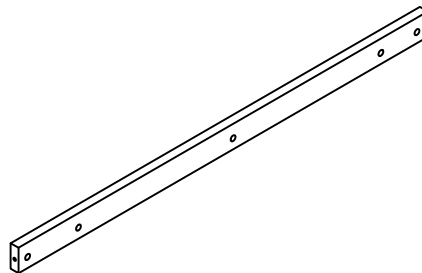
1 PC

5



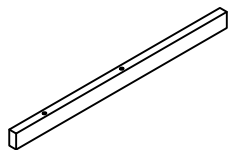
2 PCS

6



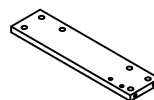
4 PCS

7



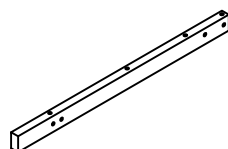
1 PC

8



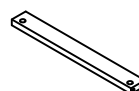
2 PCS

9



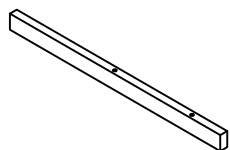
1 PC

10



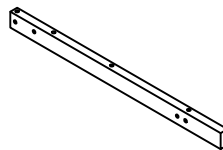
2 PCS

11



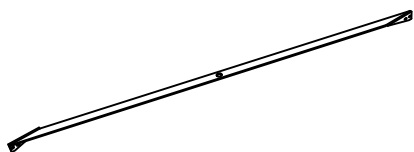
1 PC

12



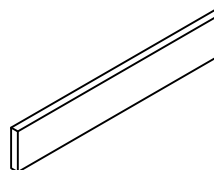
4 PCS

13



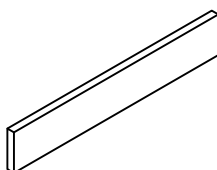
4 PCS

14



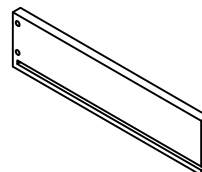
1 PC

15



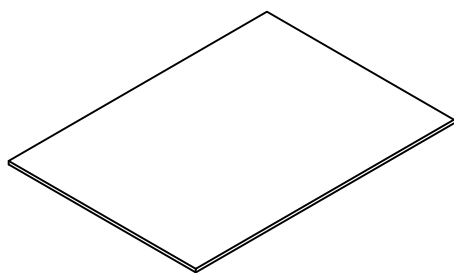
1 PC

16



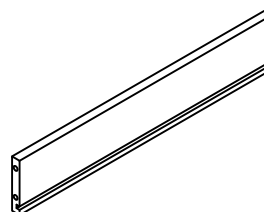
2 PCS

17



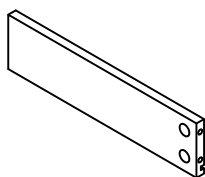
2 PCS

18

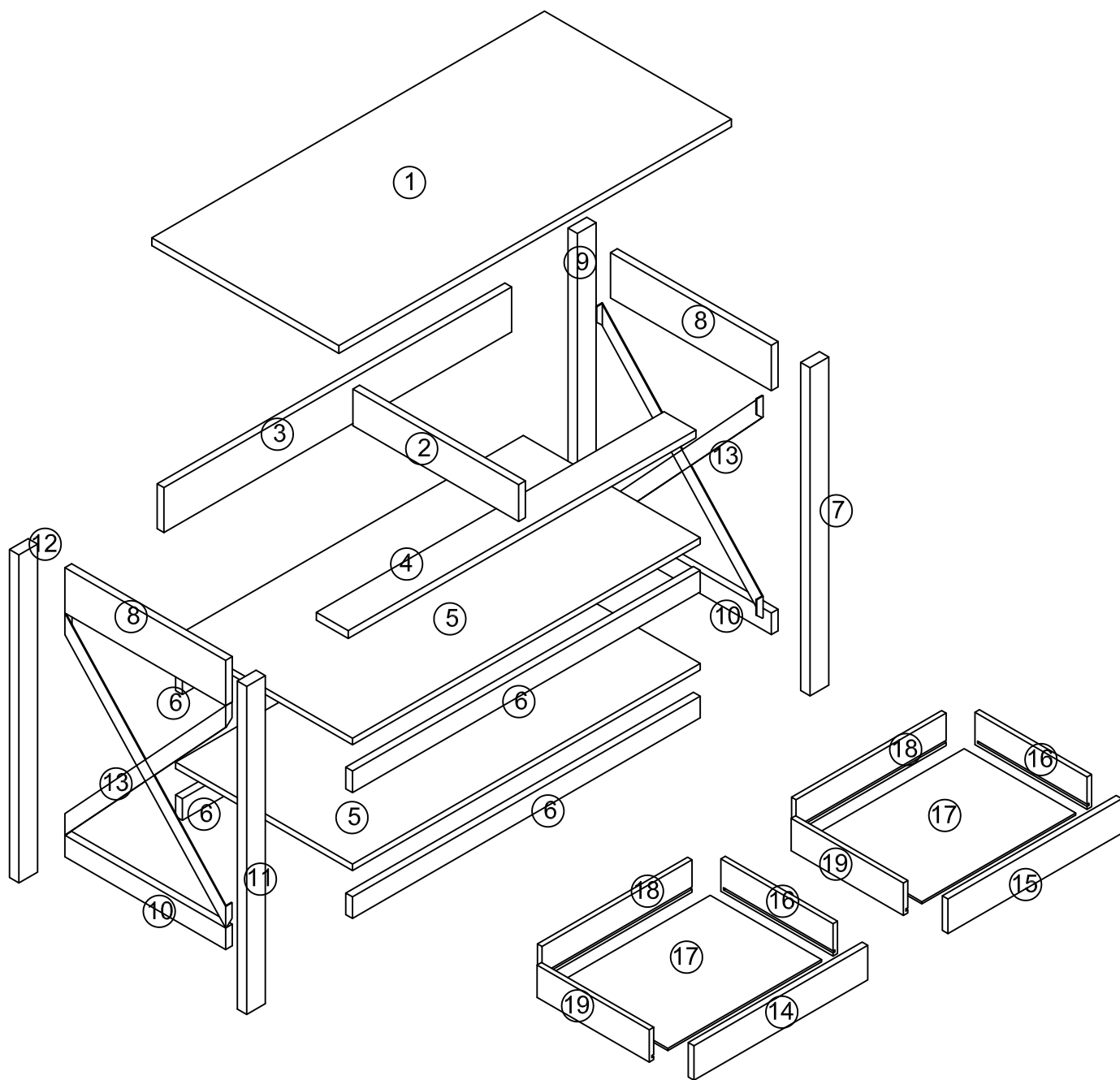


2 PCS






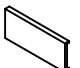






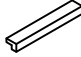

19



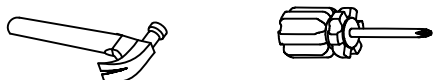
2 PCS



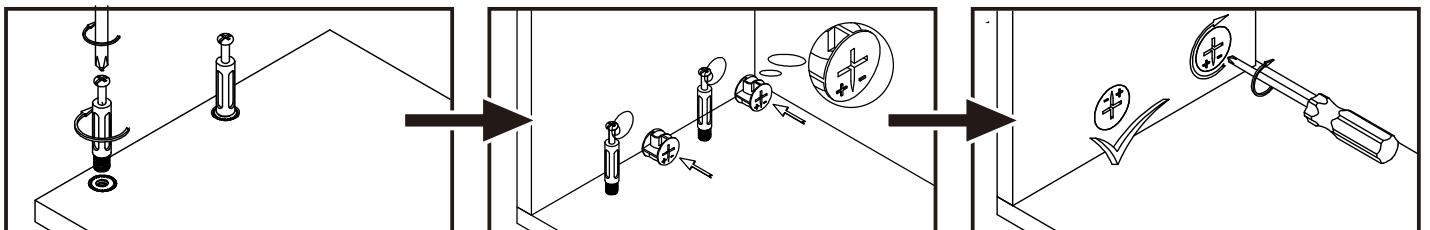
# HARDWARE LIST

|   |   |   |
|---|---|---|
| <b>A</b>  M5X45<br>70 PCS  | <b>B</b>  70 PCS         | <b>C</b>  Ø8X30<br>4 PCS |
| <b>D</b>  STICKER<br>N PCS | <b>E</b>  50X15<br>4 PCS | <b>F</b>  50X30<br>4 PCS |
| <b>G</b>  2 PCS            | <b>H</b>  2 PCS          | <b>I</b>  2 PCS          |
| <b>J</b>  4X14<br>8 PCS    | <b>K</b>  2 PCS          | <b>L</b>  4X14<br>16 PCS |
| <b>M</b>  2 PCS           | <b>N</b>  4 PCS         |   |

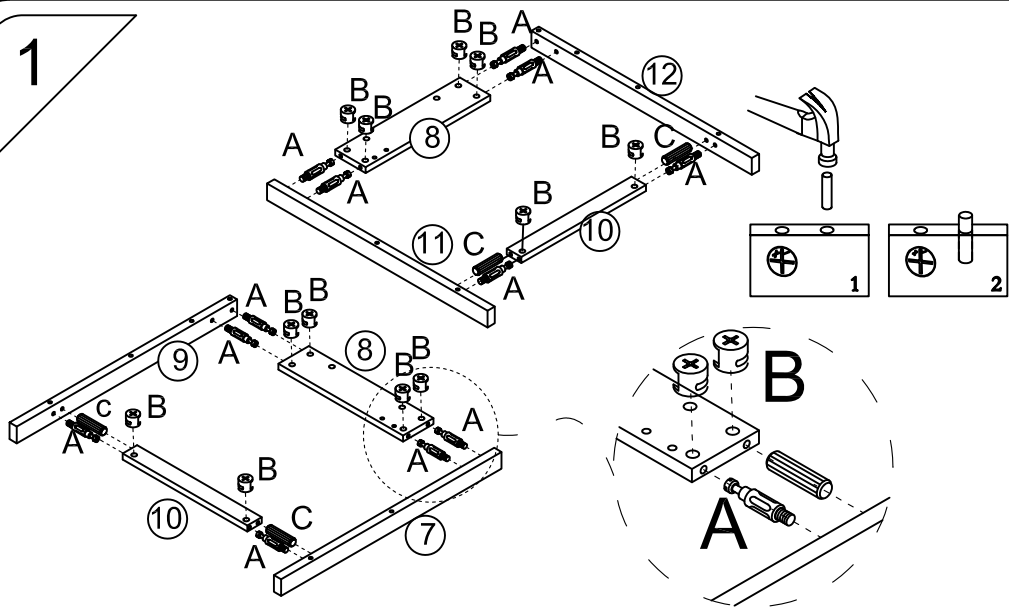
5X45mm bolt installation as below



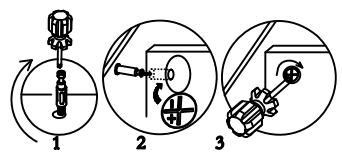
NOT INCLUDED



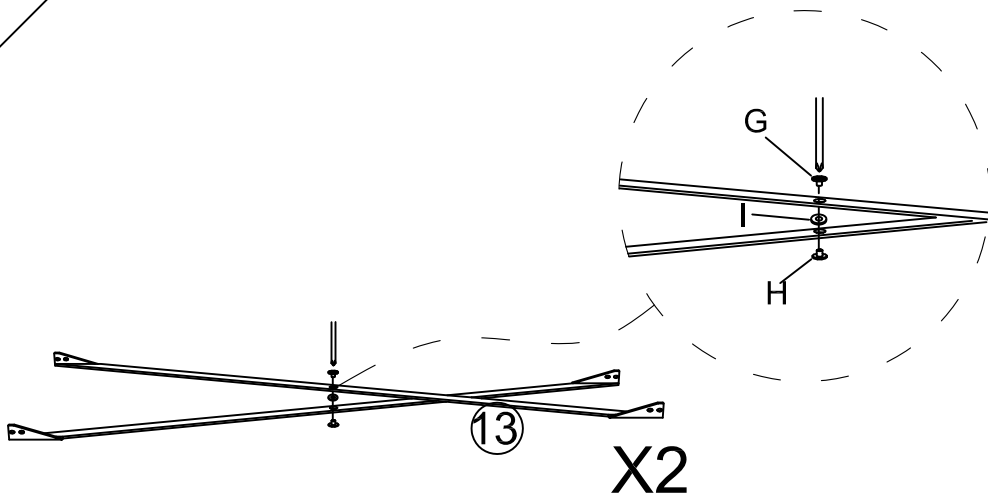
1



| PARTS |                 |
|-------|-----------------|
| A     | M5X45<br>12 PCS |
| B     | 12 PCS          |
| C     | Ø8X30<br>4 PCS  |

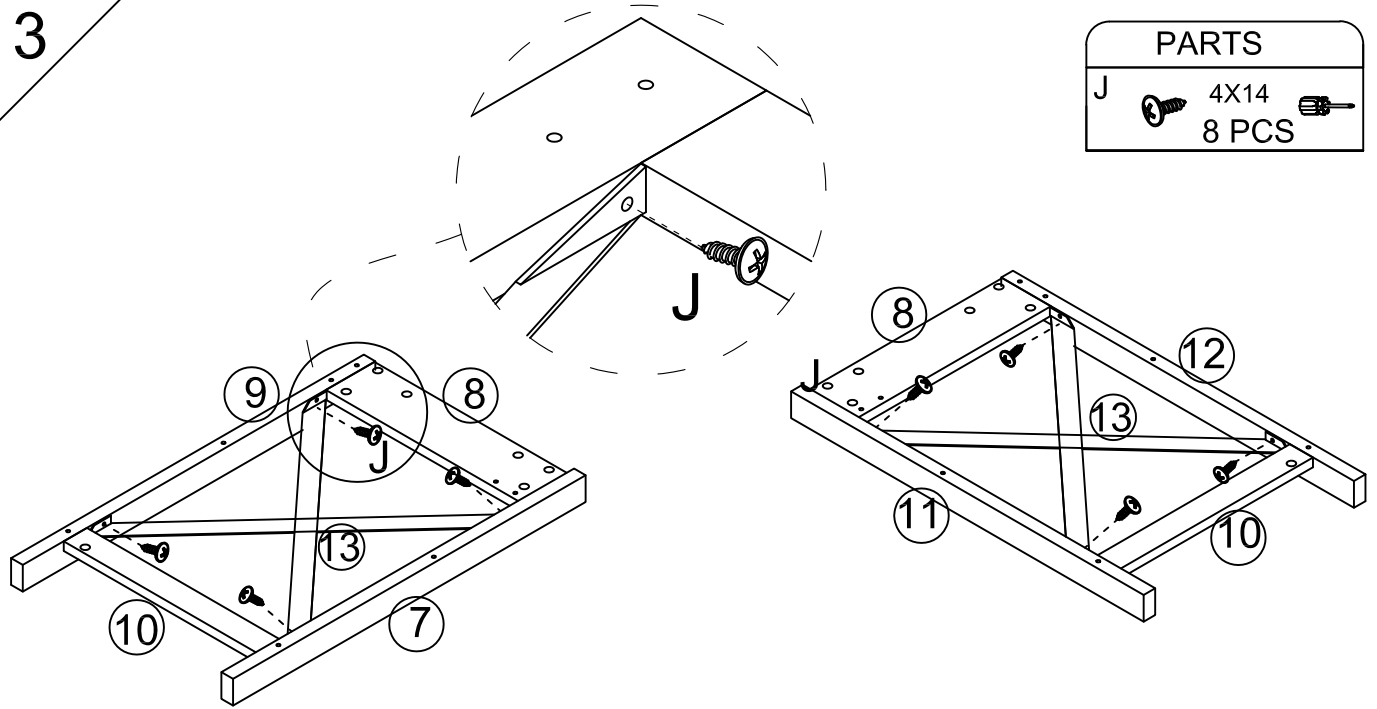


2



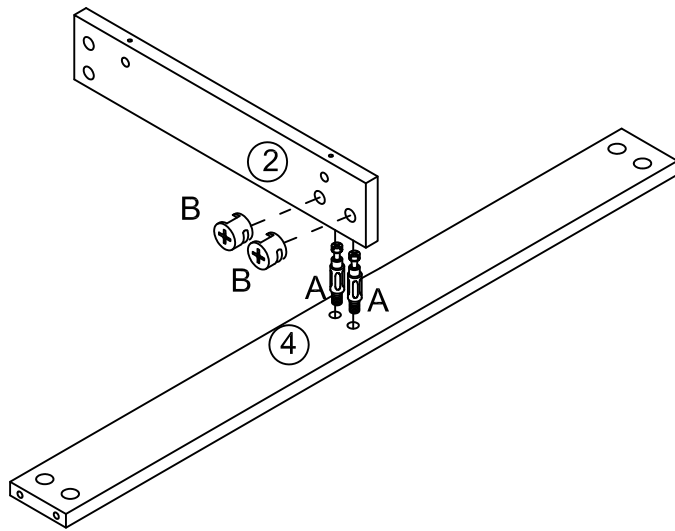
| PARTS |       |
|-------|-------|
| G     | 2 PCS |
| H     | 2 PCS |
| I     | 2 PCS |

3

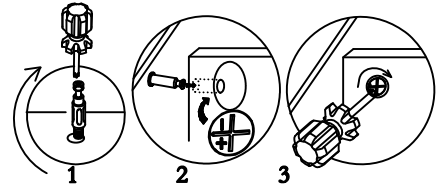


| PARTS |               |
|-------|---------------|
| J     | 4X14<br>8 PCS |

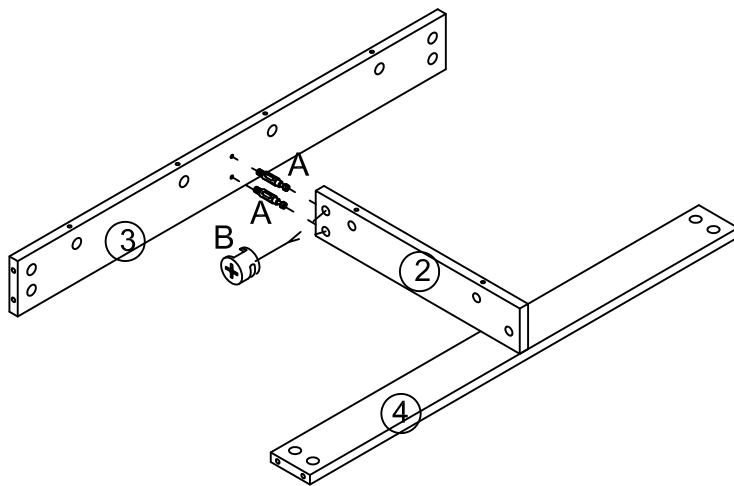
4



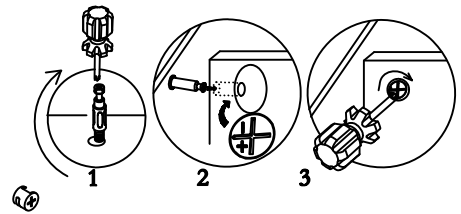
| PARTS |                |
|-------|----------------|
| A     | M5X45<br>2 PCS |
| B     | 2 PCS          |



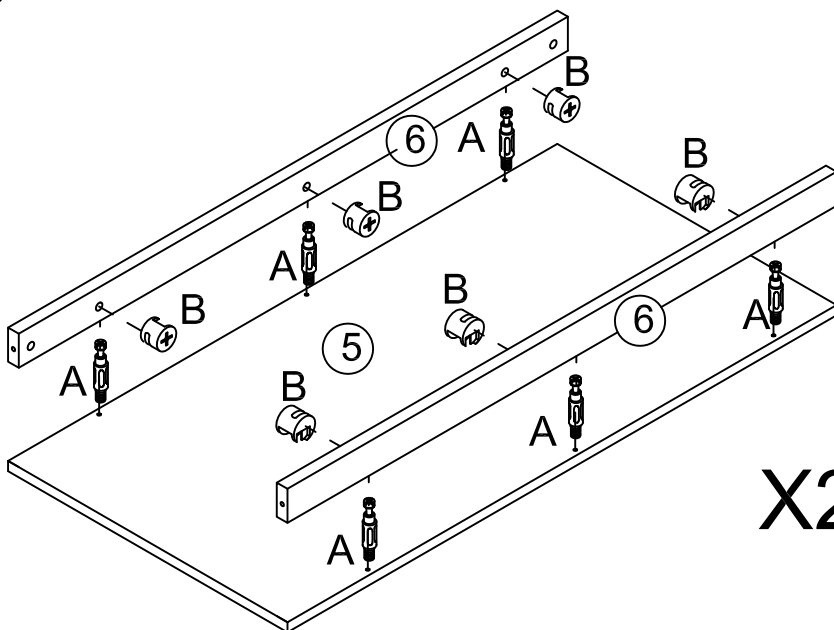
5



| PARTS |                |
|-------|----------------|
| A     | M5X45<br>2 PCS |
| B     | 2 PCS          |

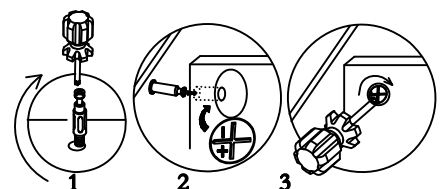


6

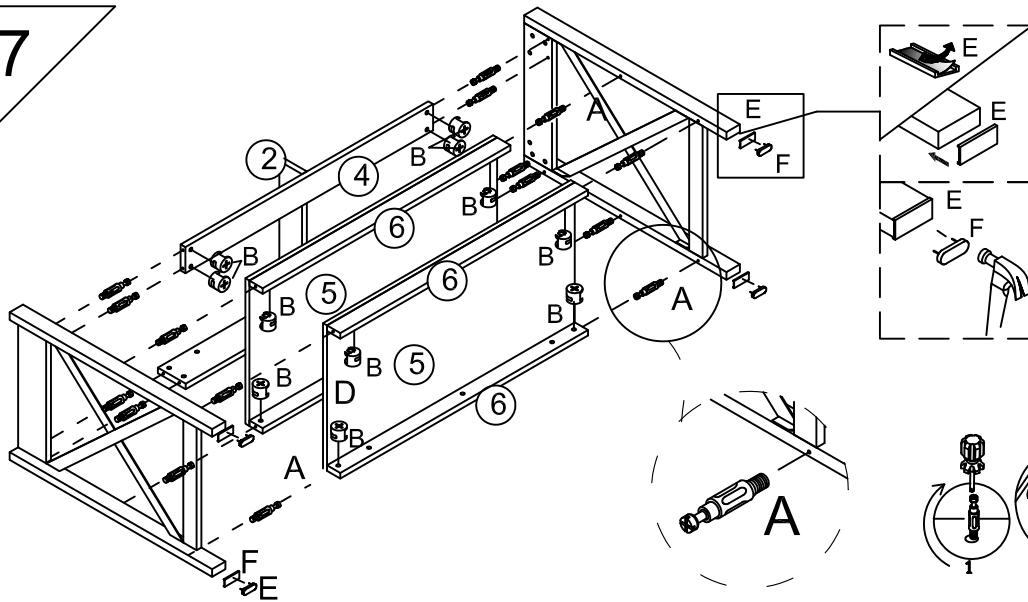


| PARTS |                 |
|-------|-----------------|
| A     | M5X45<br>12 PCS |
| B     | 12 PCS          |

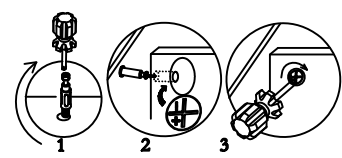
X2



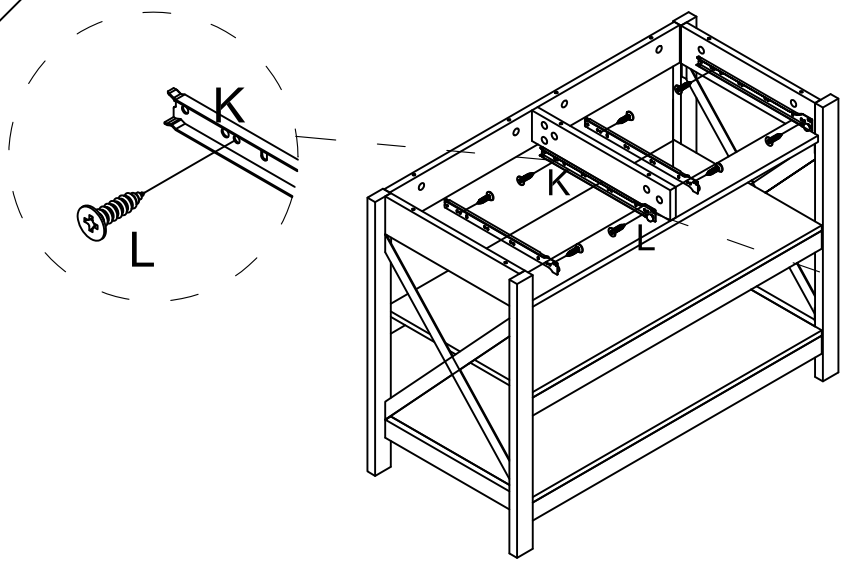
7



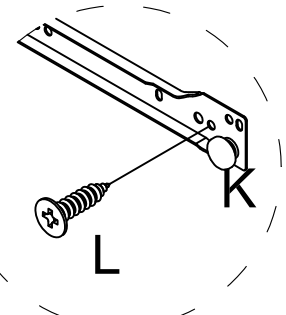
| PARTS |                 |
|-------|-----------------|
| A     | M5X45<br>16 PCS |
| B     | 16 PCS          |
| F     | 50X15<br>4 PCS  |
| E     | 50X15<br>4 PCS  |



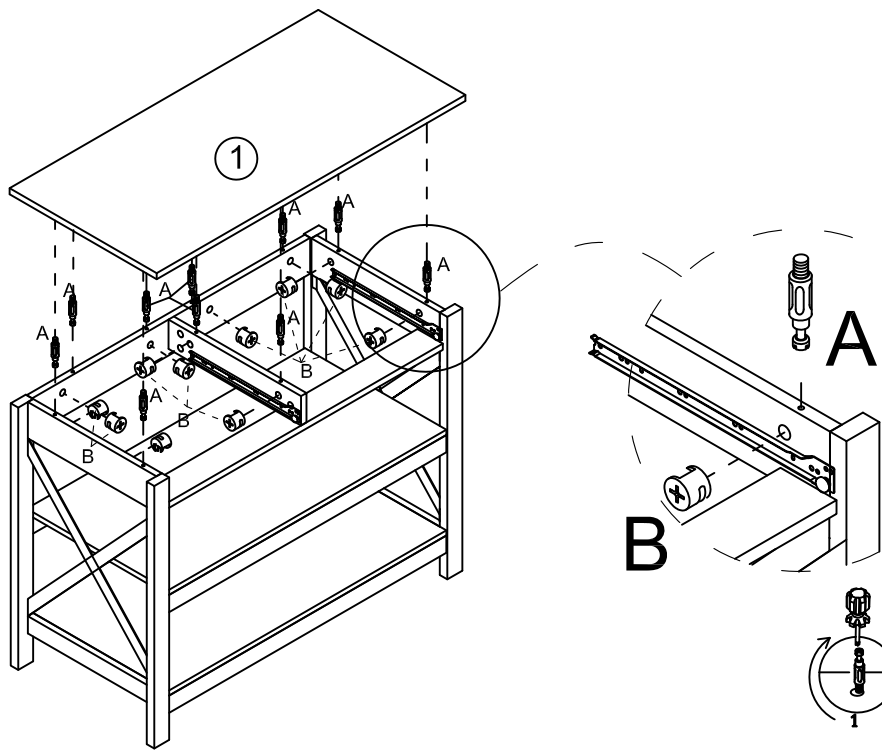
8



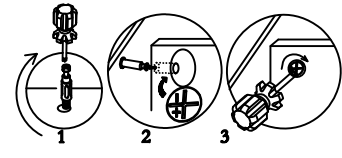
| PARTS |               |
|-------|---------------|
| K     | 2 PCS         |
| L     | 4X14<br>8 PCS |



9

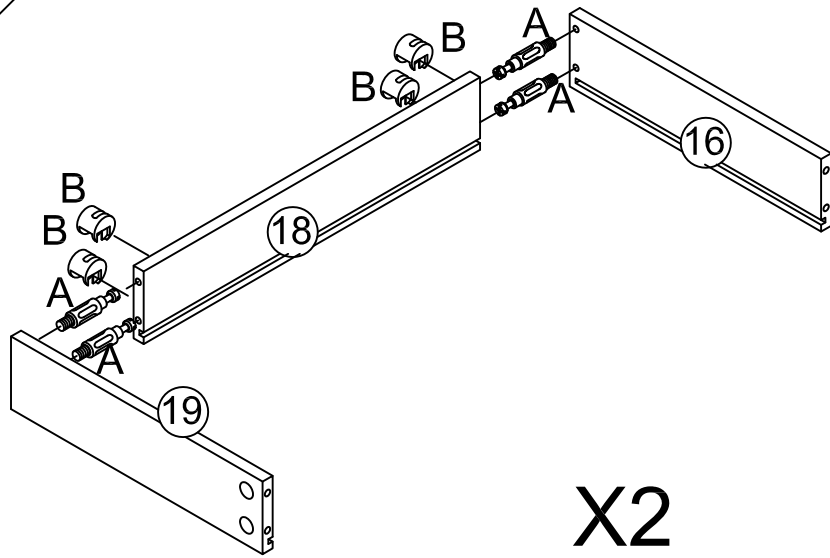


| PARTS |                 |
|-------|-----------------|
| A     | M5X45<br>10 PCS |
| B     | 10 PCS          |



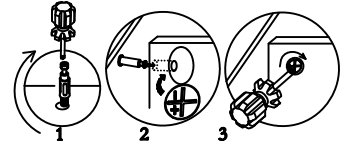


10

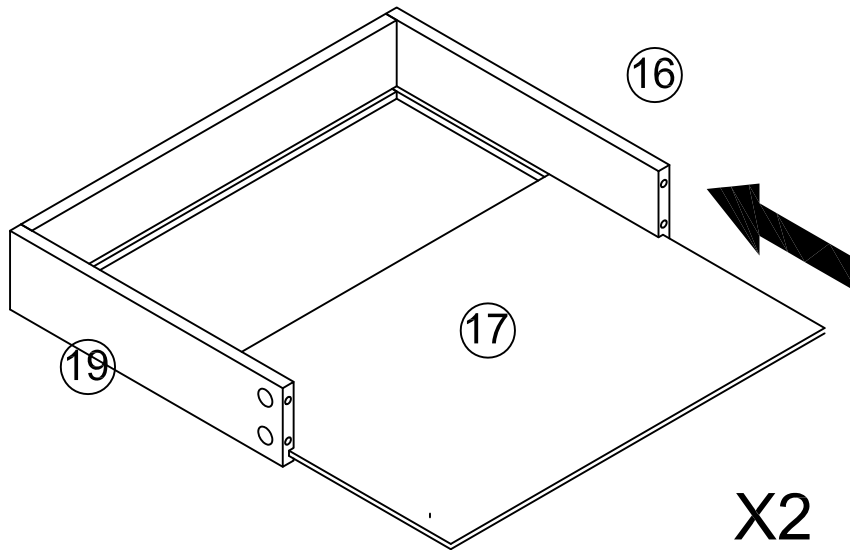


| PARTS |                |
|-------|----------------|
| A     | M5X45<br>8 PCS |
| B     | 8 PCS          |

X2

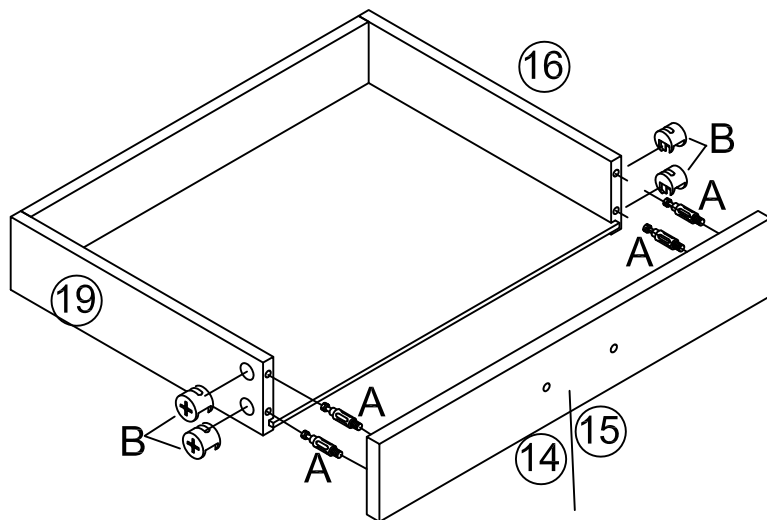


11



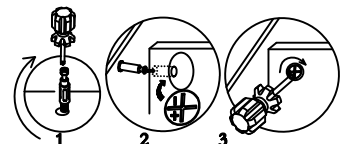
X2

12

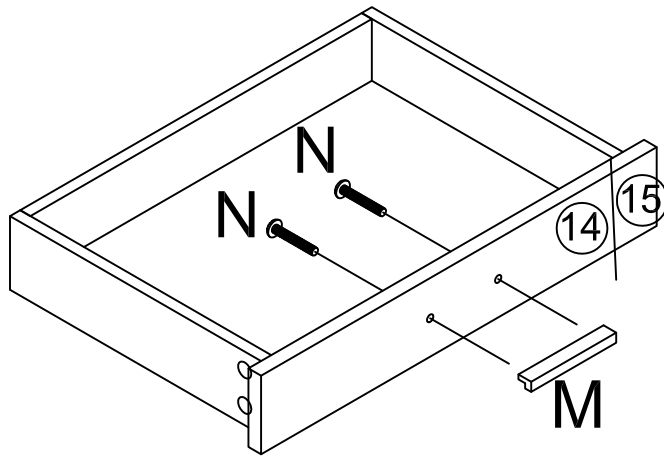


| PARTS |                |
|-------|----------------|
| A     | M5X45<br>8 PCS |
| B     | 8 PCS          |

X2



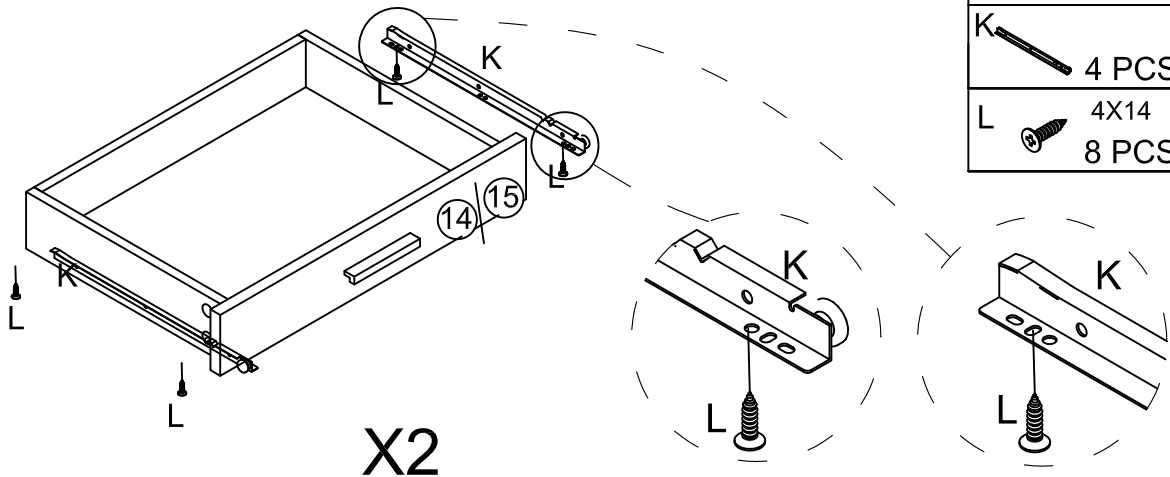
13



| PARTS |       |
|-------|-------|
| M     | 2 PCS |
| N     | 4 PCS |

X2

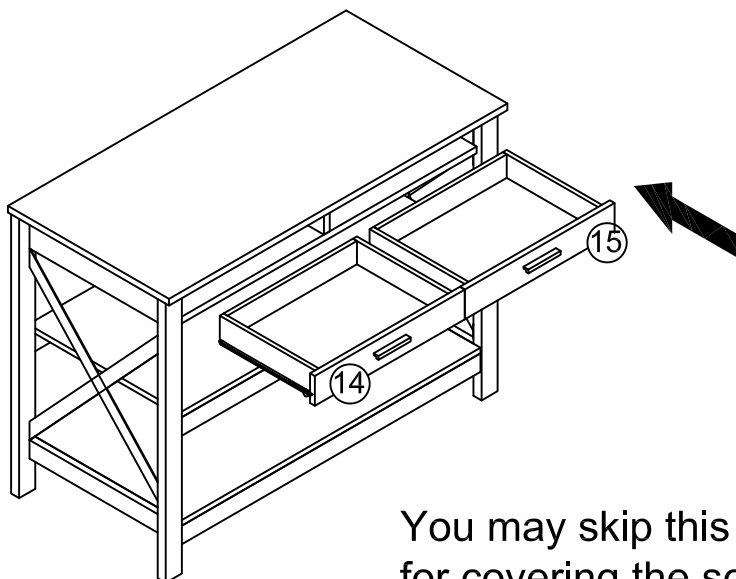
14



| PARTS |               |
|-------|---------------|
| K     | 4 PCS         |
| L     | 4X14<br>8 PCS |

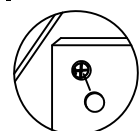
X2

15



| PARTS |         |
|-------|---------|
| D     | STICKER |
|       | N PCS   |

You may skip this step, the sticker "D" is for covering the screw holes.



US



001-877-644-9366  
customerservice@aosom.com

CA



001-855-537-6088  
customerservice@aosom.ca

UK



0044-800-240-4004  
enquiries@mhstar.co.uk

DE



0049-(0)40-88307530  
service@aosom.de

FR



0033-1-84166106  
contact@aosom.fr

ES



0034-931294512  
atencioncliente@aosom.es

IT



0039-0249471447  
clienti@aosom.it

**Aosom**