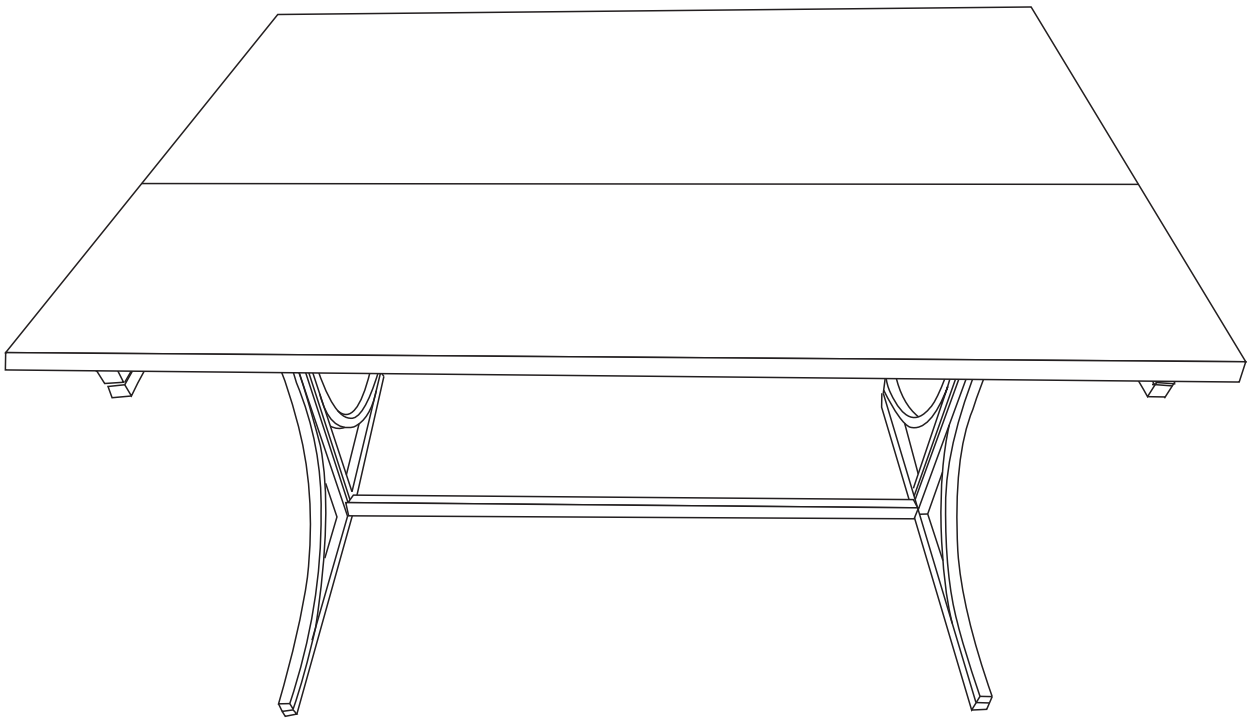




INcta102\_GL

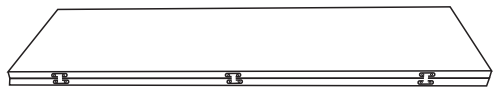
**837-153**



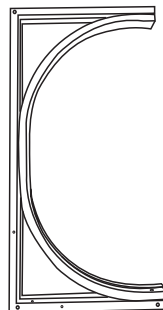
READ AND SAVE THIS INSTRUCTIONS FOR FUTURE USE

**ASSEMBLY & INSTRUCTION MANUAL**

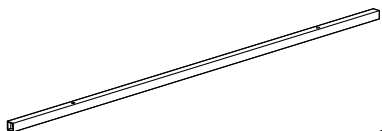
**PARTS LIST**



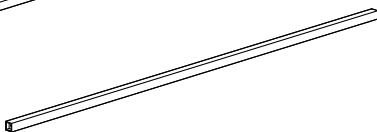
① X1



② X2



③ X1



④ X2



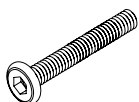
⑤ X2

**HARDWARE LIST**

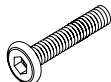
**A**x4



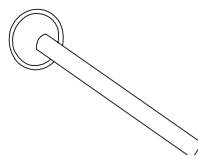
**B**x6



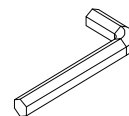
**C**x4

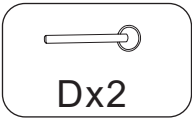
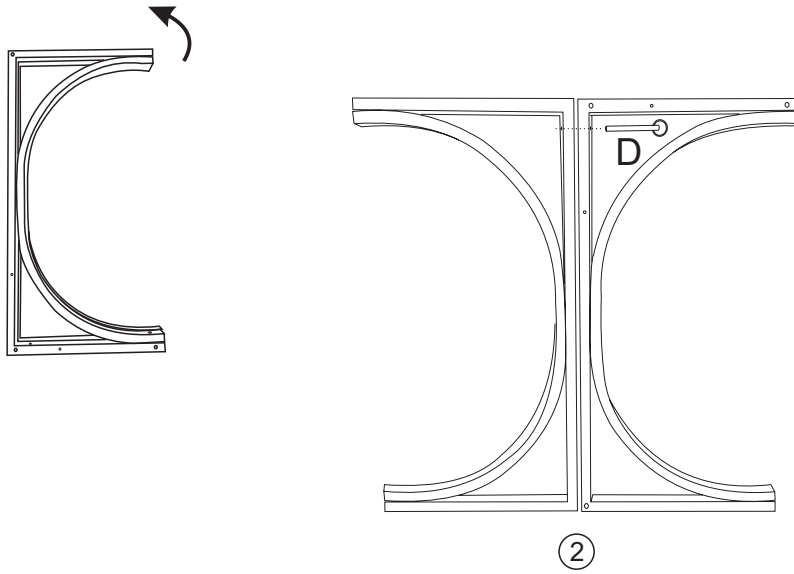


**D**x2

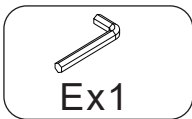
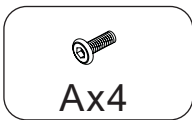
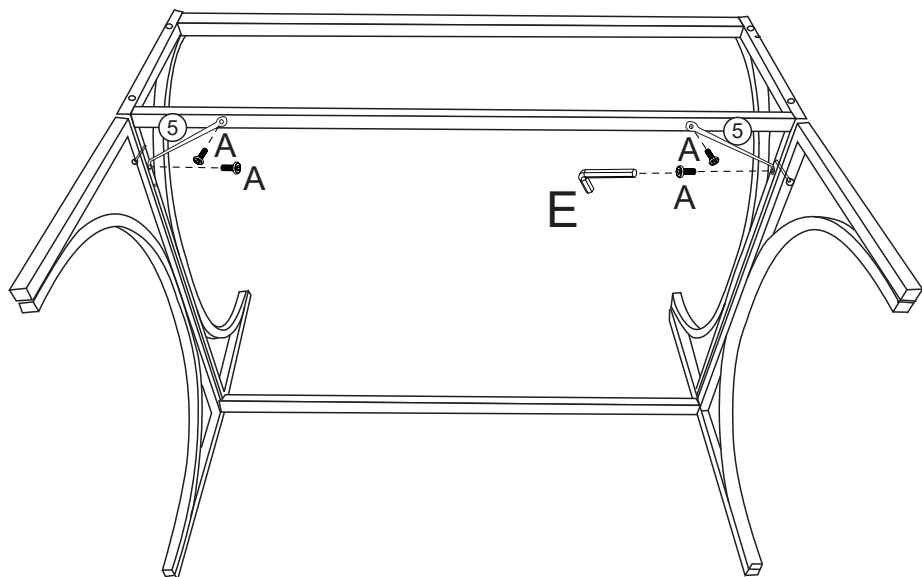
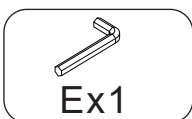
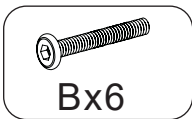
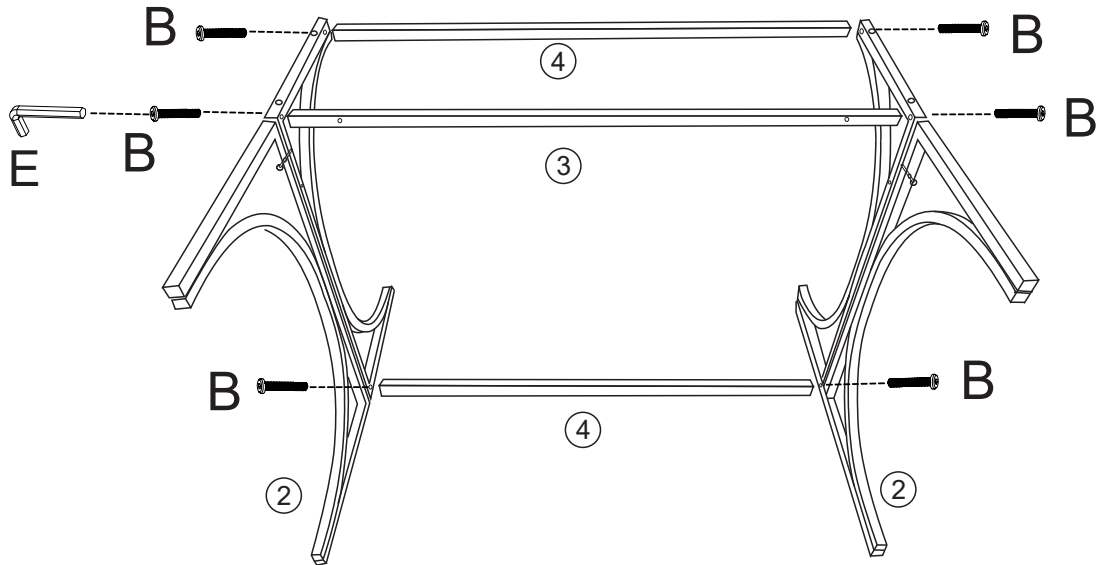


**E**x1

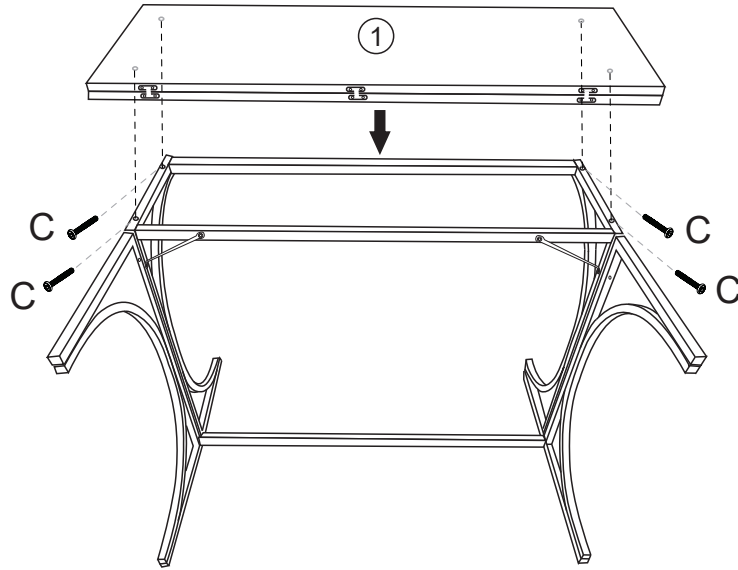




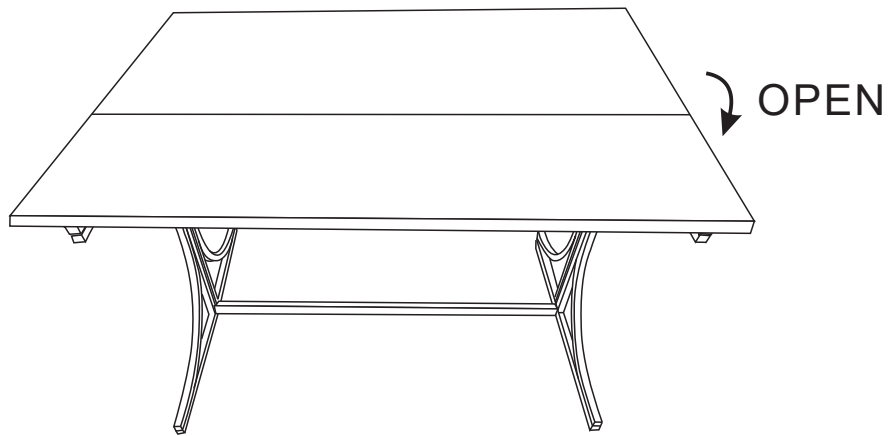
X2



04

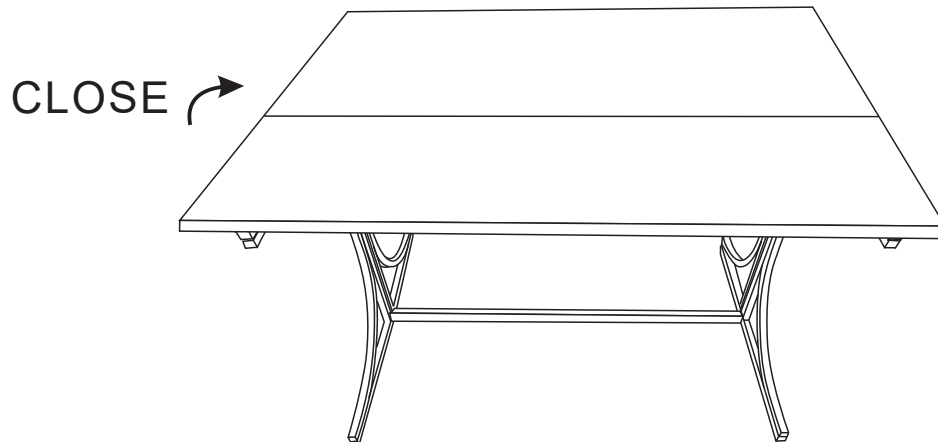


05

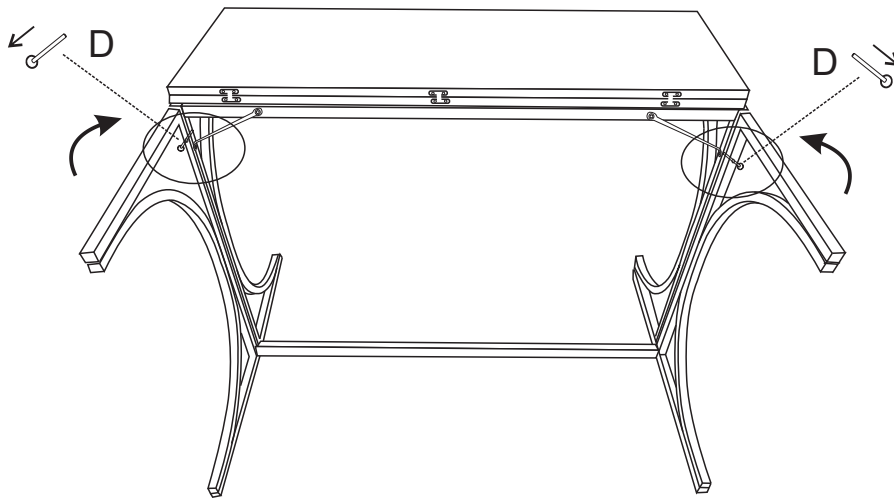


USED FOR TABLE

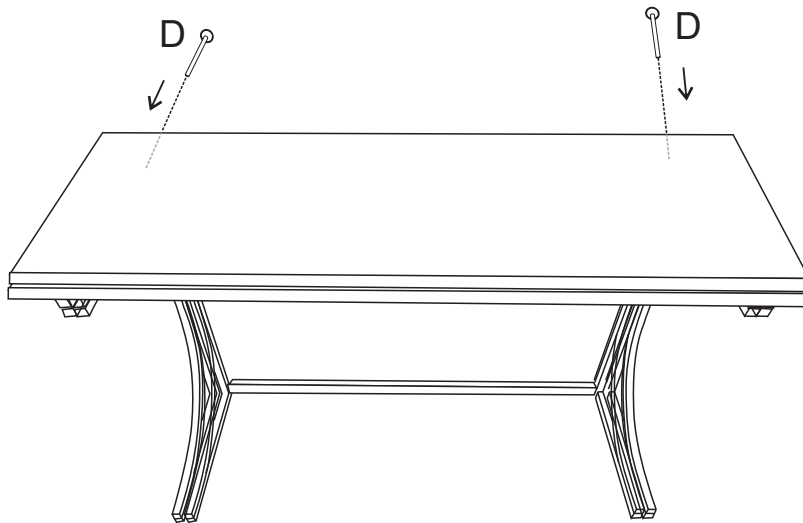
06



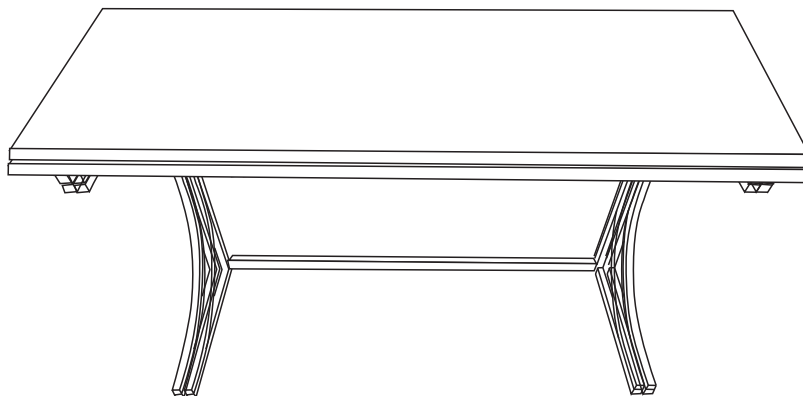
07



08



09



USED FOR CONSOLE

Done

US



001-877-644-9366  
customerservice@aosom.com

CA



001-855-537-6088  
customerservice@aosom.ca

UK



0044-800-240-4004  
enquiries@mhstar.co.uk

DE



0049-(0)40-88307530  
service@aosom.de

FR



0033-1-84166106  
contact@aosom.fr

ES



0034-931294512  
atencioncliente@aosom.es

IT



0039-0249471447  
clienti@aosom.it