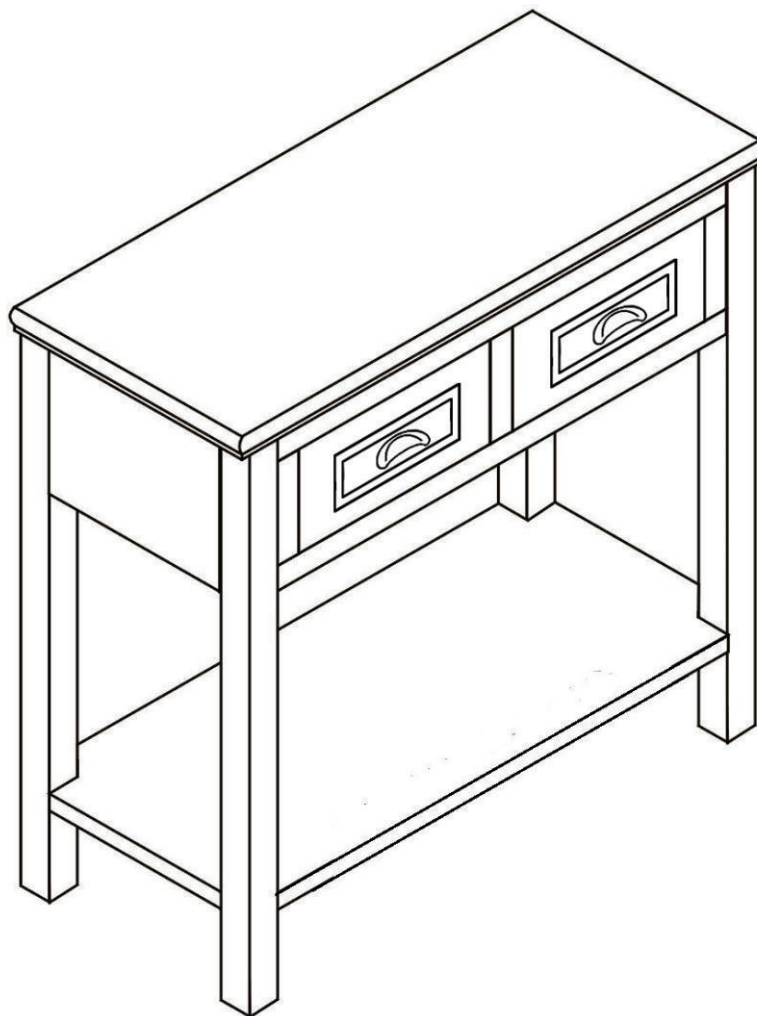




INcta106V01\_GL

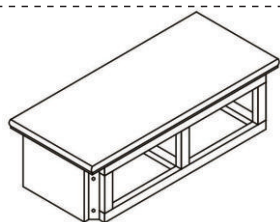
**837-180**



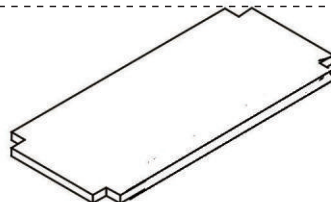
IMPORTANT, RETAIN FOR FUTURE REFERENCE: READ CAREFULLY

# ASSEMBLY & INSTRUCTION MANUAL

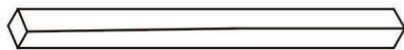
**PARTS**



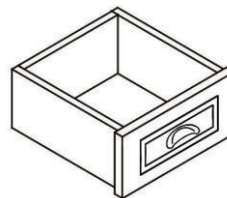
**A** x01



**B** x01

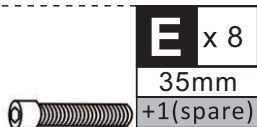


**C** x04



**D** x02

**HARDWARE**



**E** x 8  
35mm  
+1(spare)



**F** x 4  
55mm



**G** x12



**H** x 1

**01**

