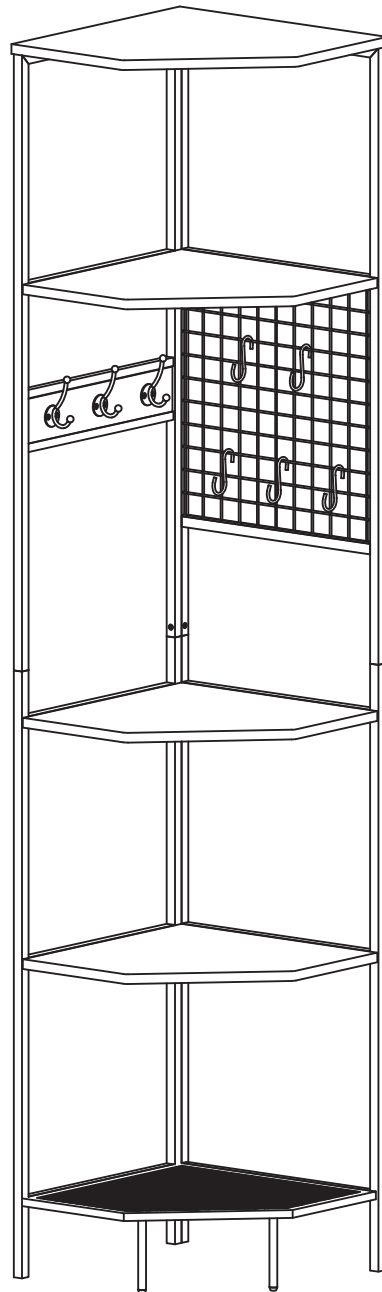




INcta118_US_CA_UK_ES_DE_IT

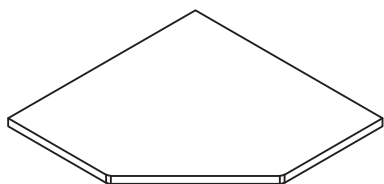
837-209



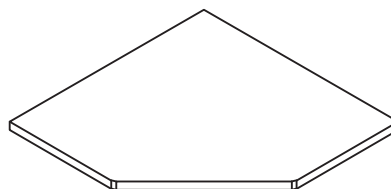
IMPORTANT, RETAIN FOR FUTURE REFERENCE: READ CAREFULLY

ASSEMBLY INSTRUCTION

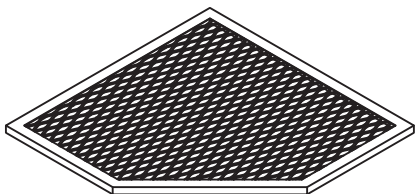
PARTS



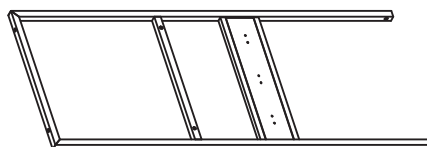
1 x 1



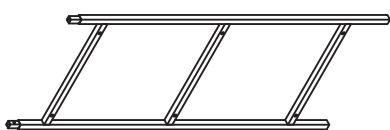
2 x 3



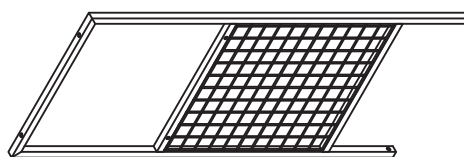
3 x 1



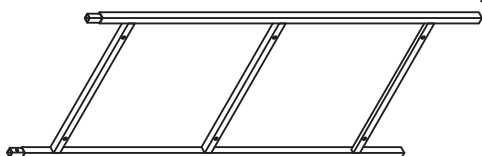
4 x 1



5 x 1



6 x 1



7 x 1



8 x 2

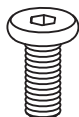


9 x 5

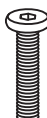


10 x 3

HARDWARE



A x 4
M6*12
+1 (spare)



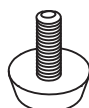
B x 8
M6*25
+1 (spare)



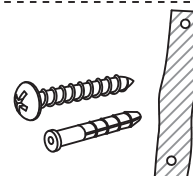
C x 12
M6*50
+1 (spare)



D x 6
M3.5*12
+1 (spare)



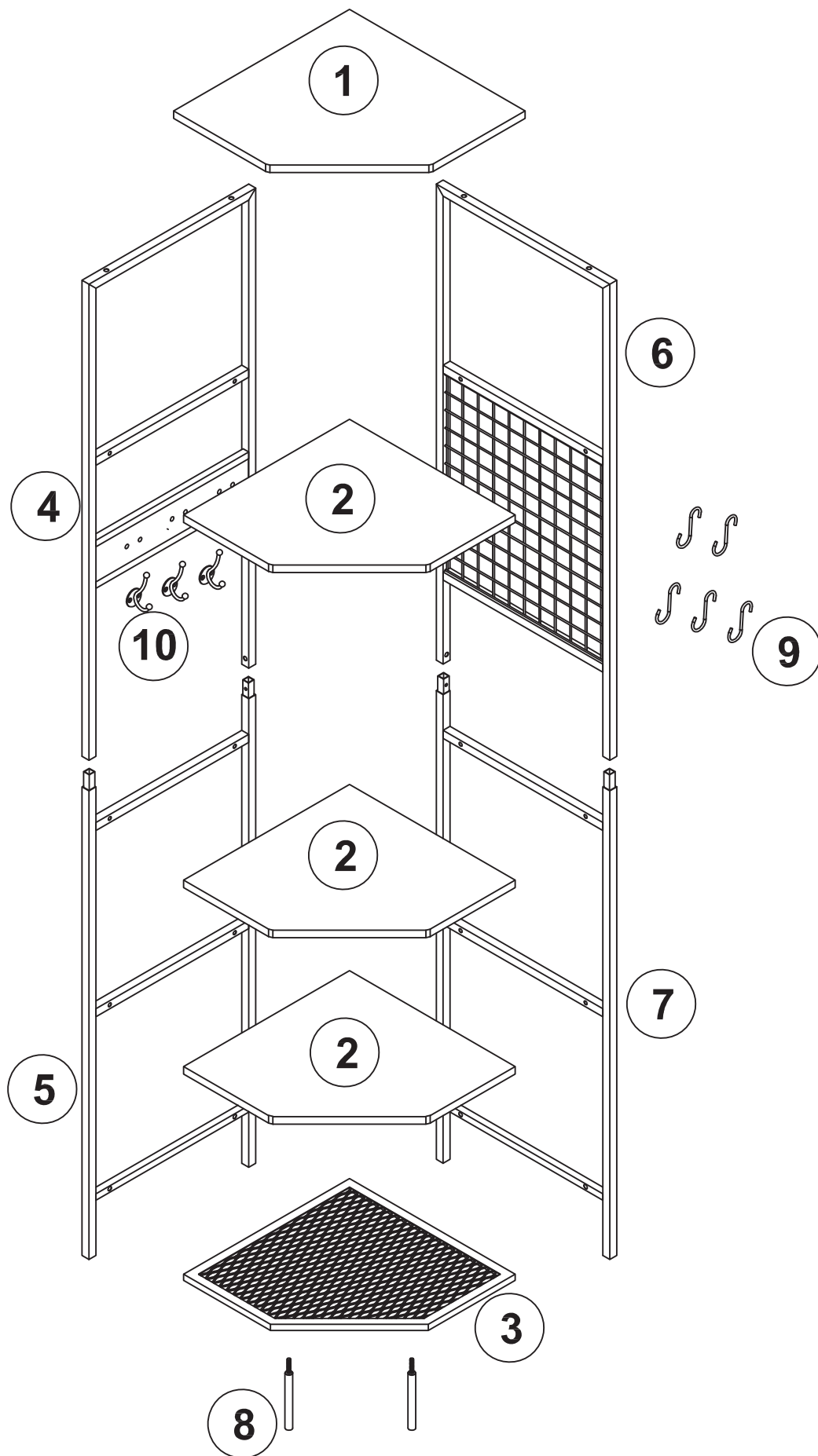
E x 2
M6*22



F x 1
Ø6*30

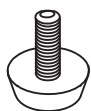
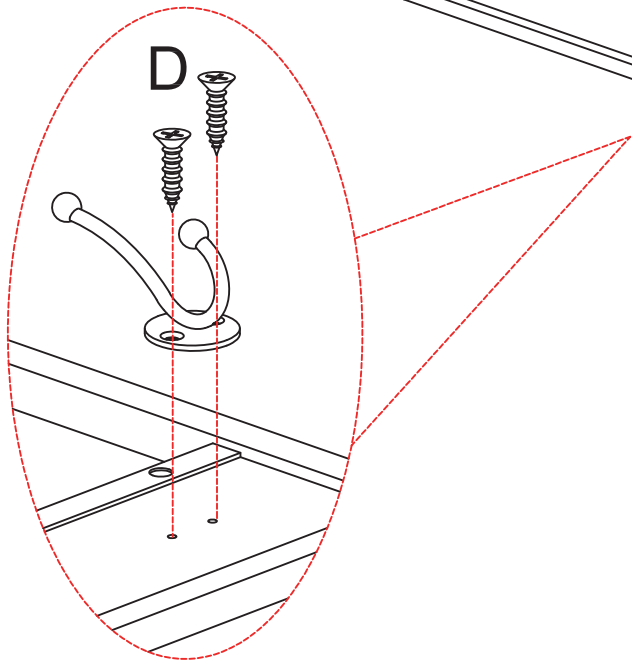
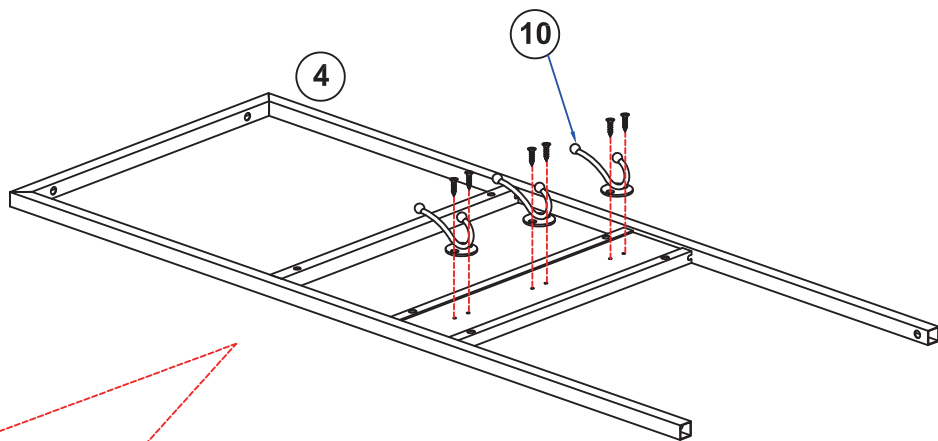


G x 1
S4

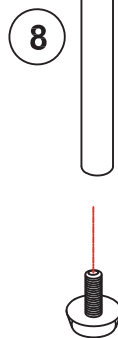
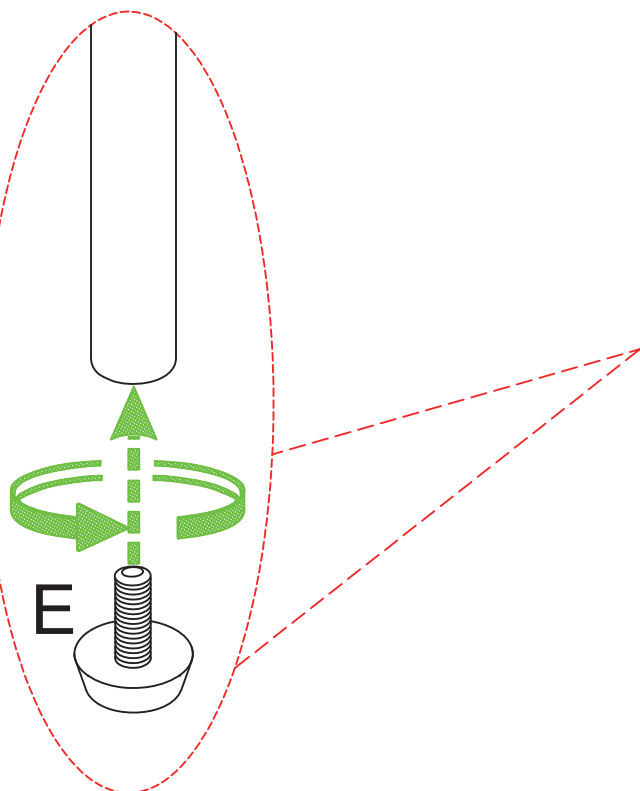


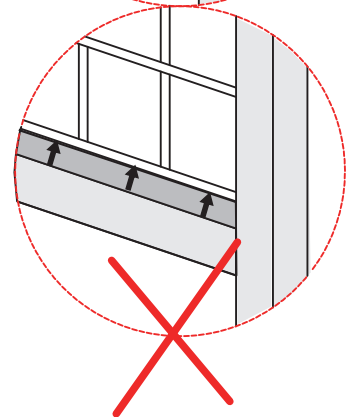
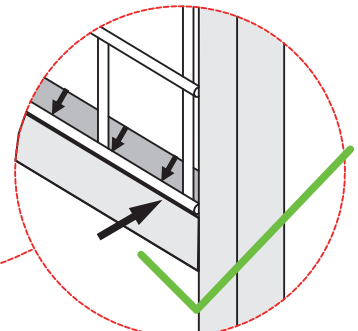
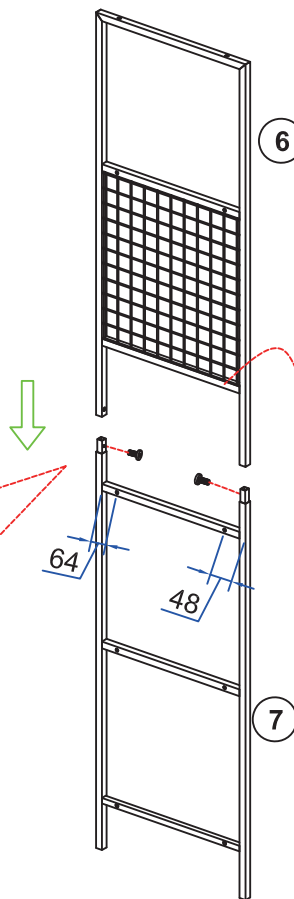
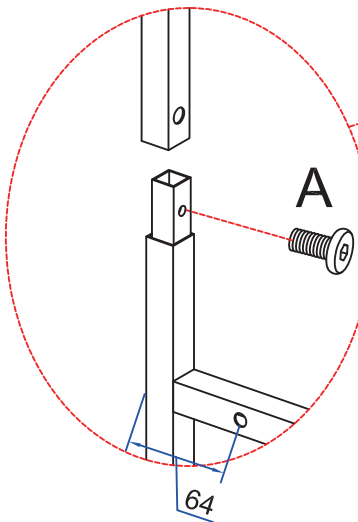
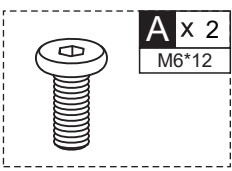
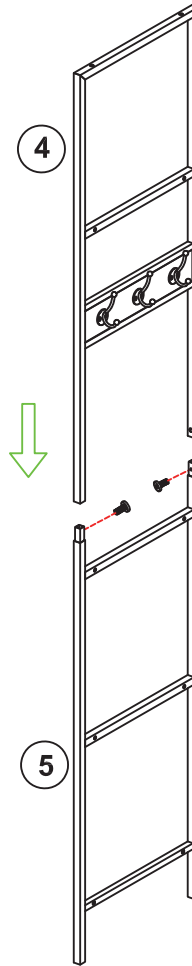
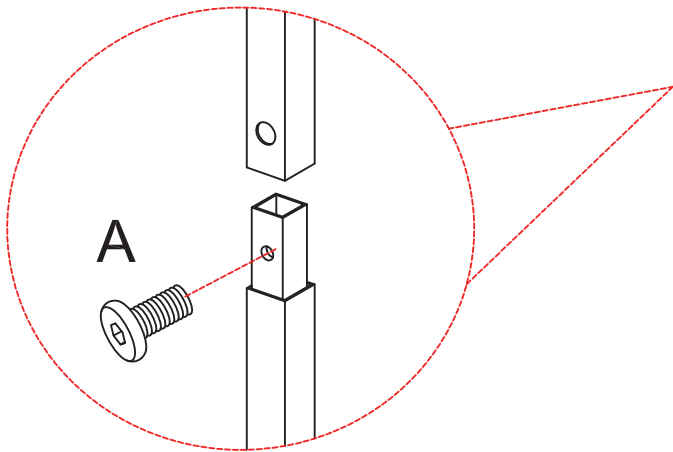
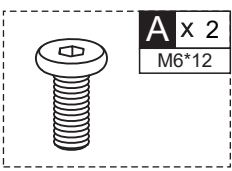


D x 6
M3.5*12



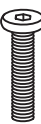
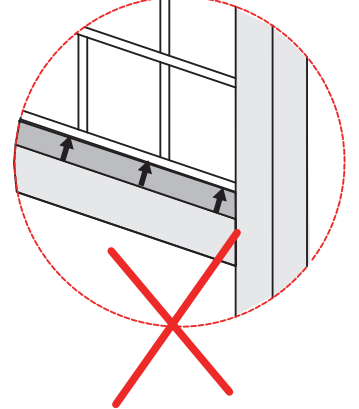
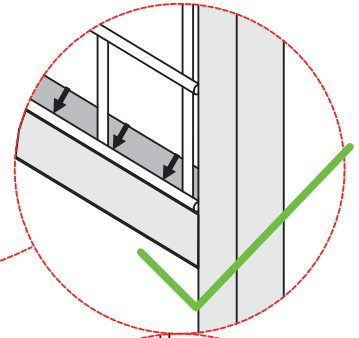
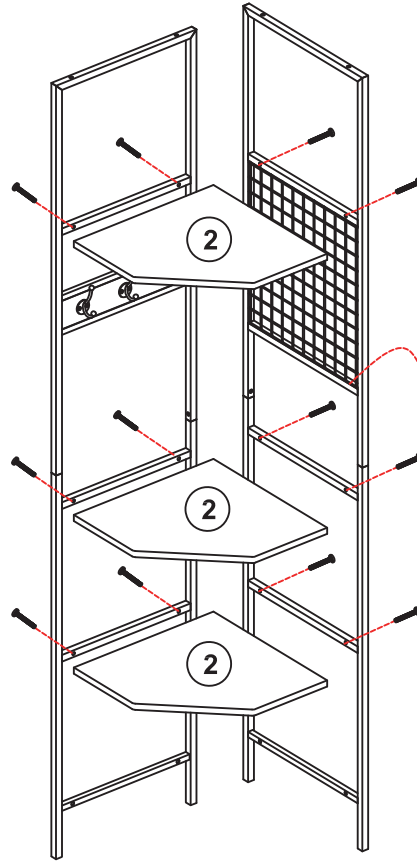
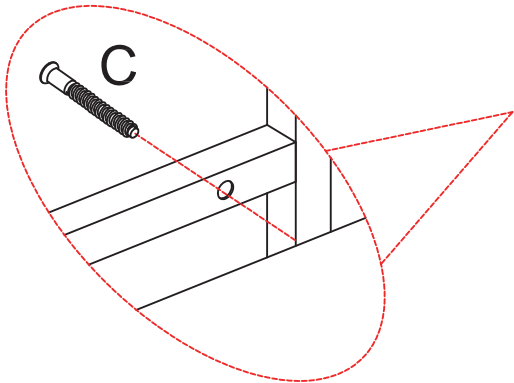
E x 2
M6*22



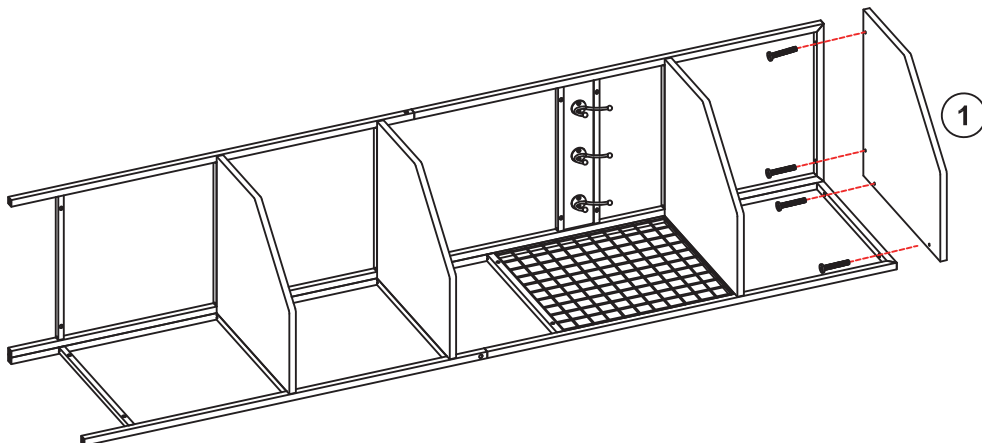
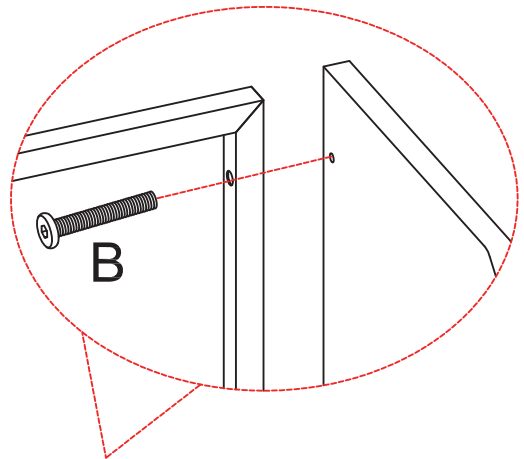




C x 12
M6*50



B x 4
M6*25





B x 4
M6*25

