
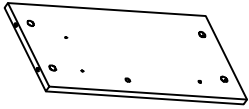
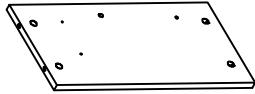
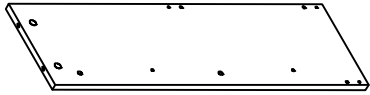
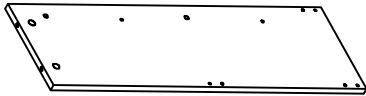
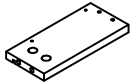
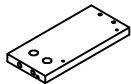
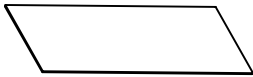
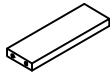
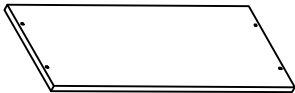
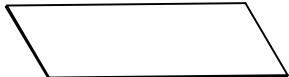
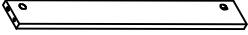

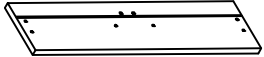

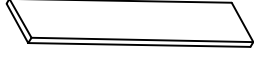

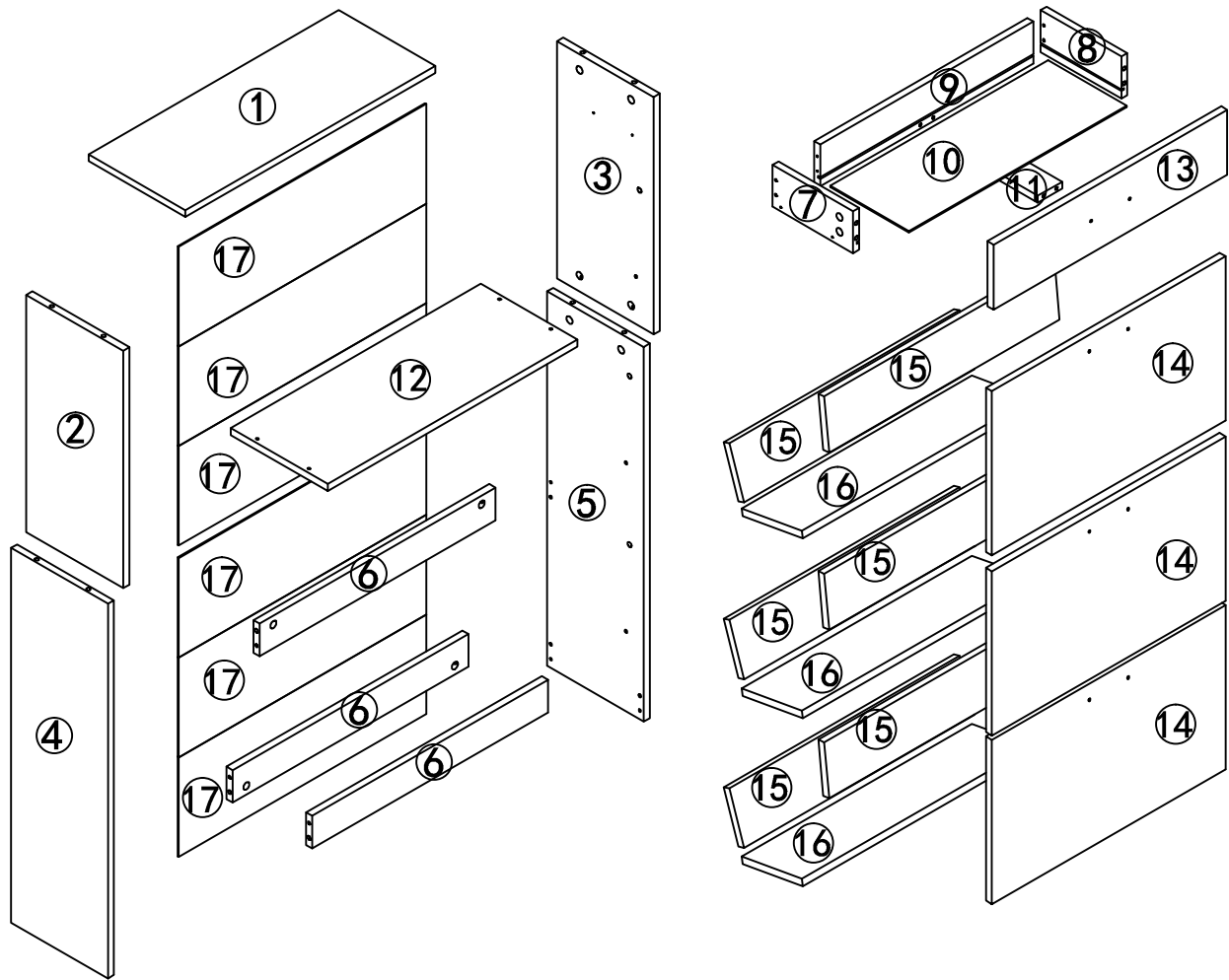


BOX 1/2 (ACCESSORIES FITTING BAG)

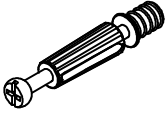
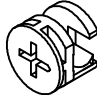
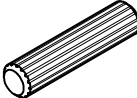

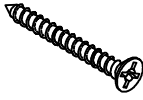



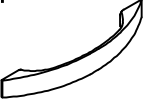
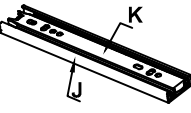


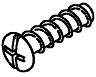
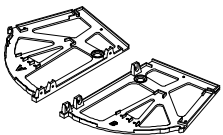
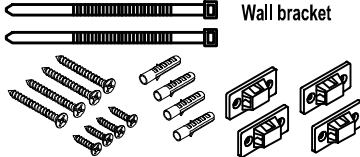
NO.	PANEL LIST		QTY
1		620X240X15MM	1PC
2		510X240X15MM	1PC
3		510X240X15MM	1PC
4		805X240X15MM	1PC
5		805X240X15MM	1PC
7		200X90X15MM	1PC
8		200X90X15MM	1PC
10		540X195X3MM	1PC
11		185X60X15MM	1PC
12		620X240X15MM	1PC
17		614X214X3MM	6PCS

BOX 2/2

NO.	PANEL LIST		QTY
6		585X70X3MM	3PCS
9		529X90X15MM	1PC
13		580X140X15MM	1PC
14		580X353X15MM	3PCS
15		571X117X15MM	6PCS
16		571X152X15MM	3PCS



HARDWARE LIST

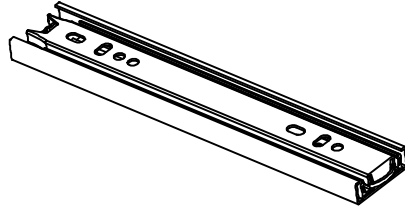
<p>A=22</p>  <p>Peg M6*34mm</p>	<p>B=22</p>  <p>Lock M15*12mm</p>	<p>C=10</p>  <p>Dowel M6*30mm</p>	<p>D=38</p>  <p>Screw M3.5*14mm</p>	<p>E=4</p>  <p>Screw M4*38</p>	<p>F=4</p>  <p>Plastic Feet</p>
<p>G=30</p>  <p>Pin</p>	<p>H=8</p>  <p>Screw M4*18</p>	<p>I=4</p>  <p>Handle 96mm</p>	<p>J K=2</p>  <p>Drawer Runner</p>	<p>L=6</p> 	<p>M=6</p> 
<p>N=6</p>  <p>Screw M6*18</p>	<p>Q=3</p>  <p>Shoe rack</p>	<p>P=1</p>  <p>Wall bracket</p>			

Drawer Runner Instruction

IMPORTANT - Please Read It Carefully.

NOTE:1 PAIR DRAWER RUNNER INCLUDES 4 PIECES.

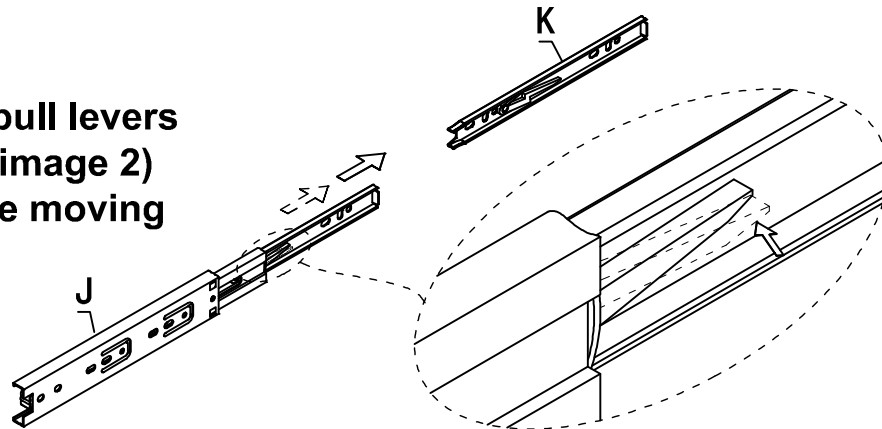
STEP a



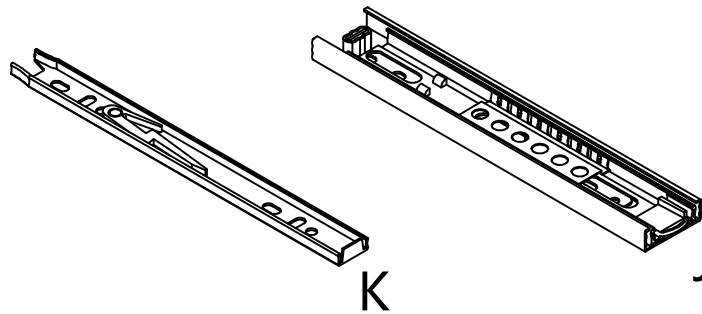
**NOTE:J+K are packed in a set. You should receive 4 total sets .
Made up of 1 x part J and 1 x part K.**

STEP b

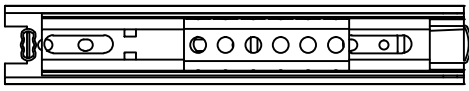

To separate, pull levers up (shown in image 2) and hold while moving parts apart.






STEP c

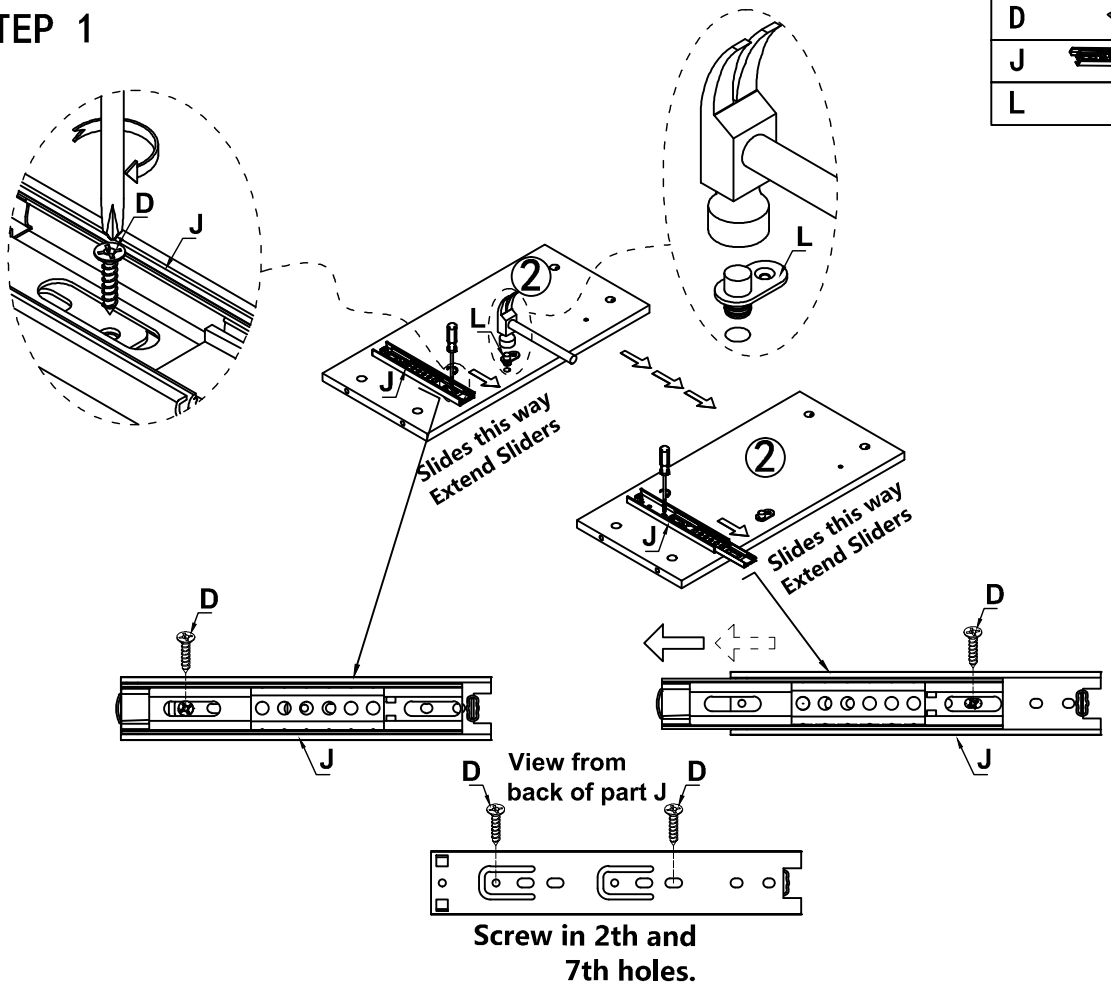


Fittings (not to scale)




NO.	DESCRIPTION	QTY	
J	Outer Drawer Runner - Right,Left	2PCS	
K	Inner Drawer Runner - Right,Left	2PCS	

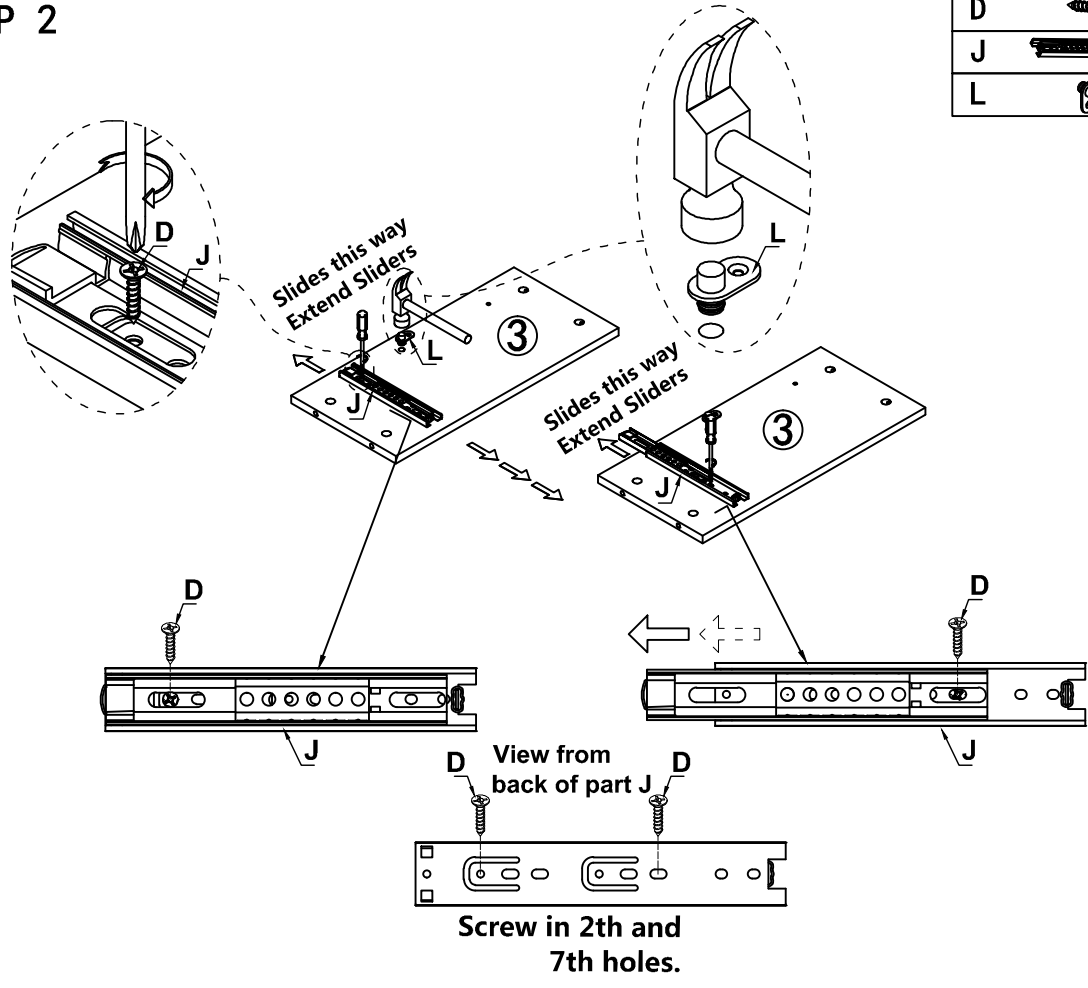
STEP 1

D		2 PCS
J		1 PCS
L		1 PCS





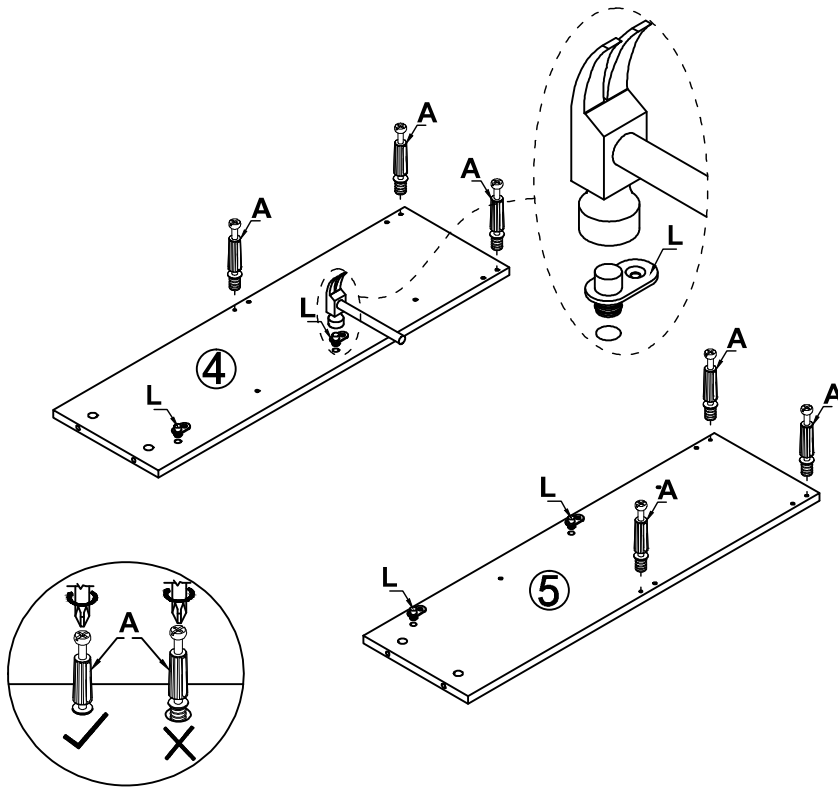
STEP 2

D		2 PCS
J		1 PCS
L		1 PCS





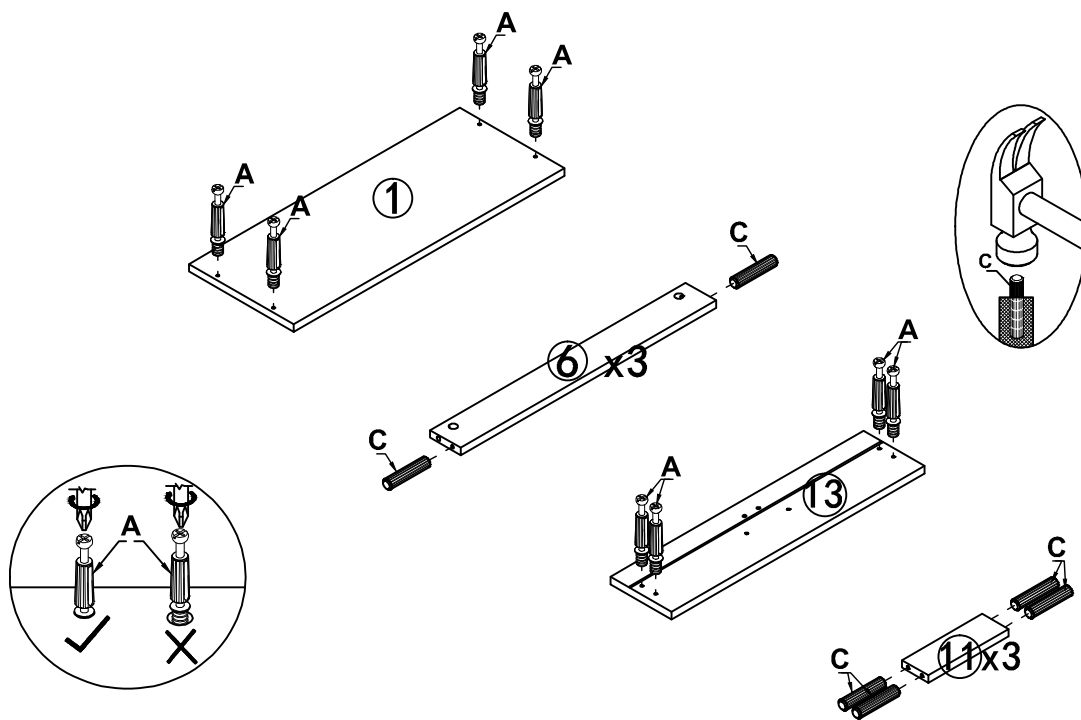
STEP 3

A		6 PCS
L		4 PCS



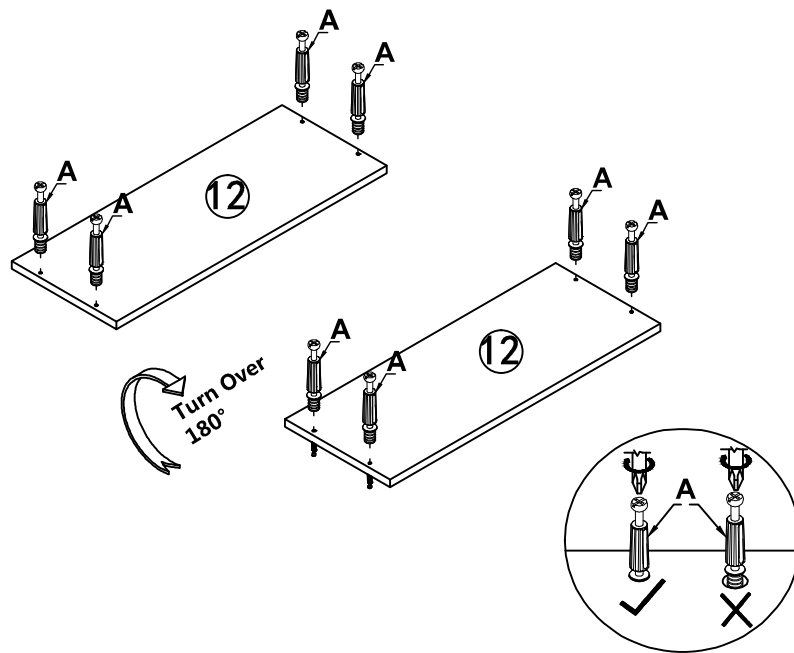
STEP 4

A		8 PCS
C		10PCS








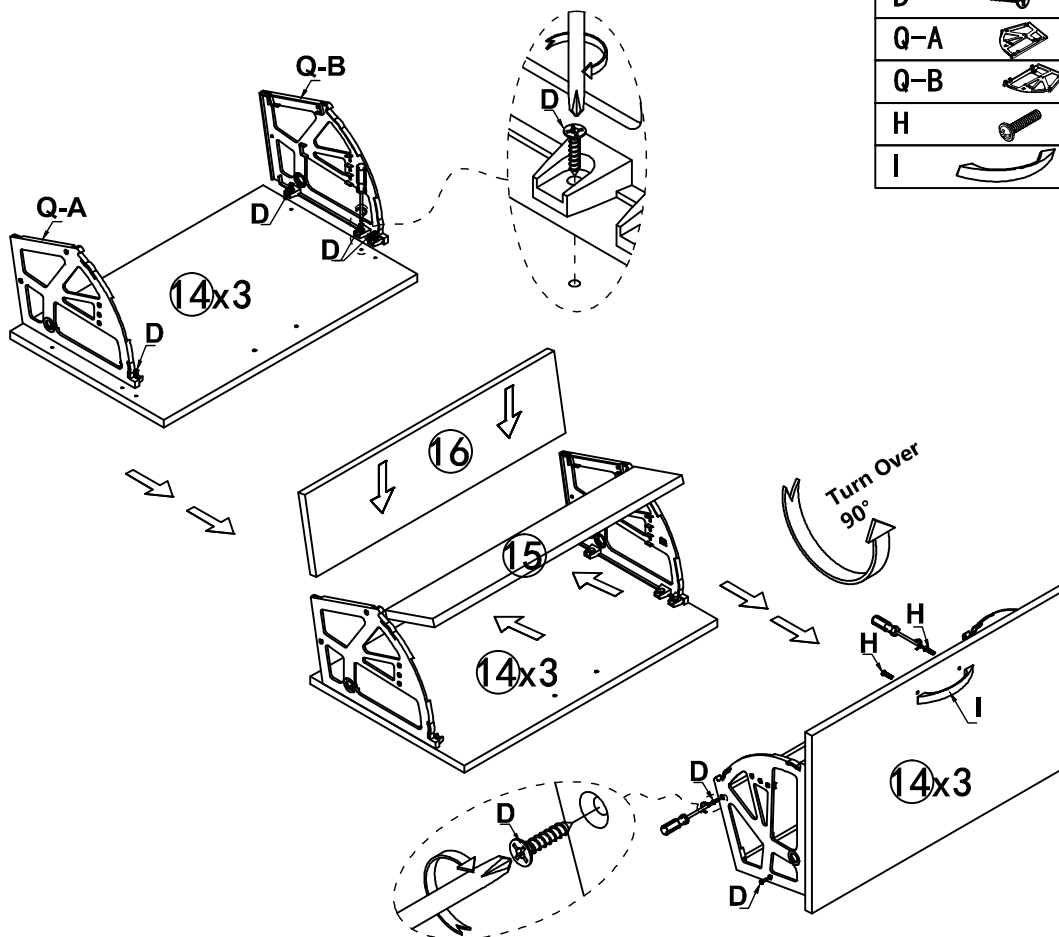
STEP 5

A  8 PCS



STEP 6

D		30PCS
Q-A		3 PCS
Q-B		3 PCS
H		6 PCS
I		3 PCS

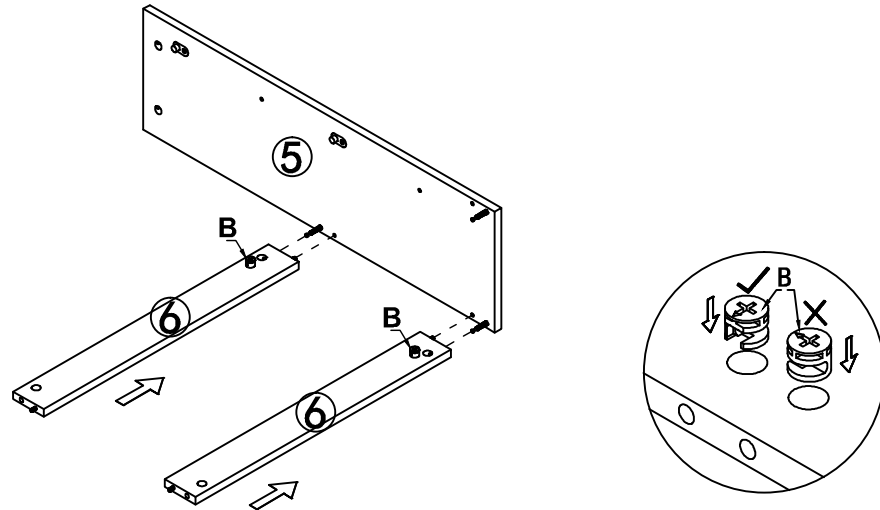


STEP 7

B



2 PCS

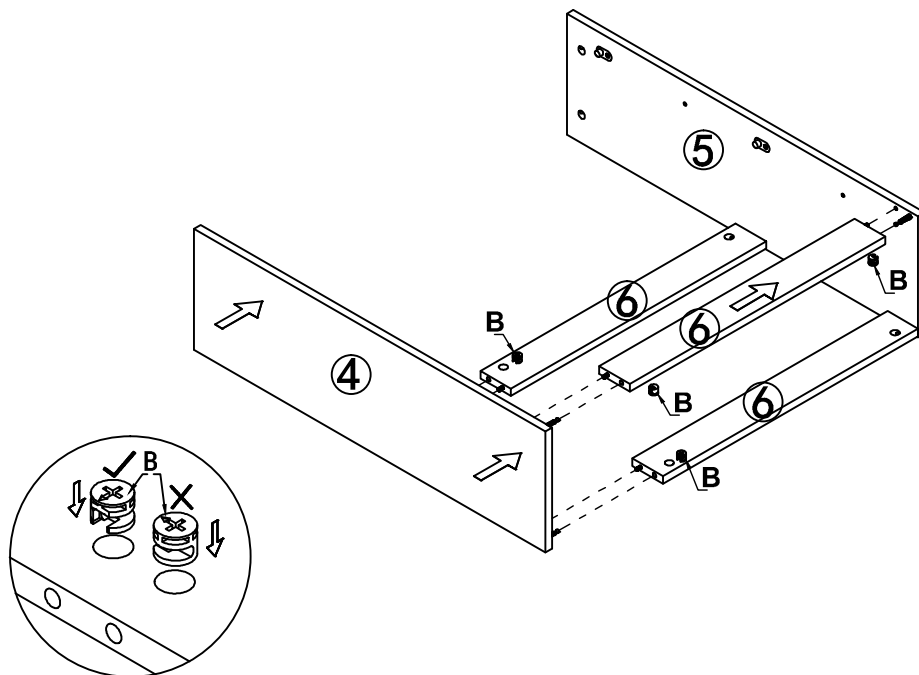


STEP 8

B



4 PCS

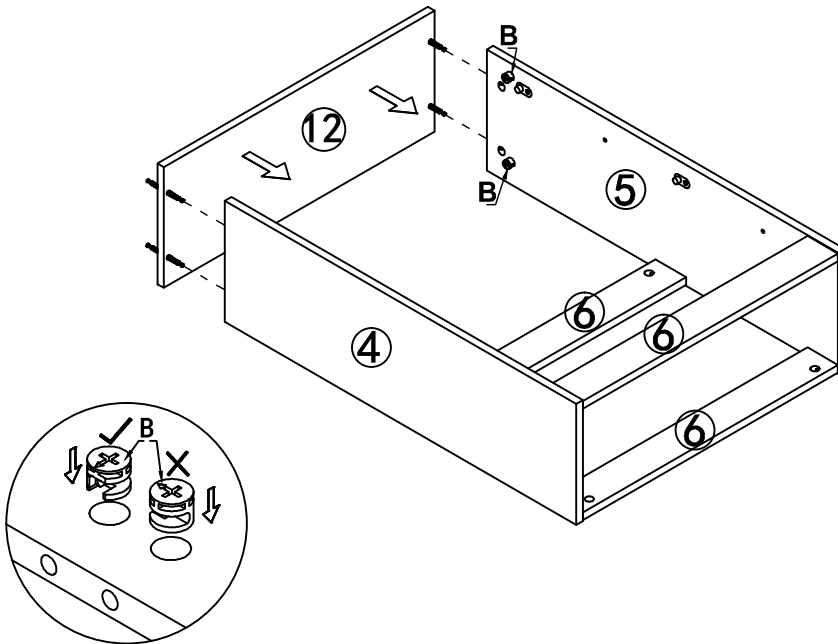


STEP 9

B



4 PCS

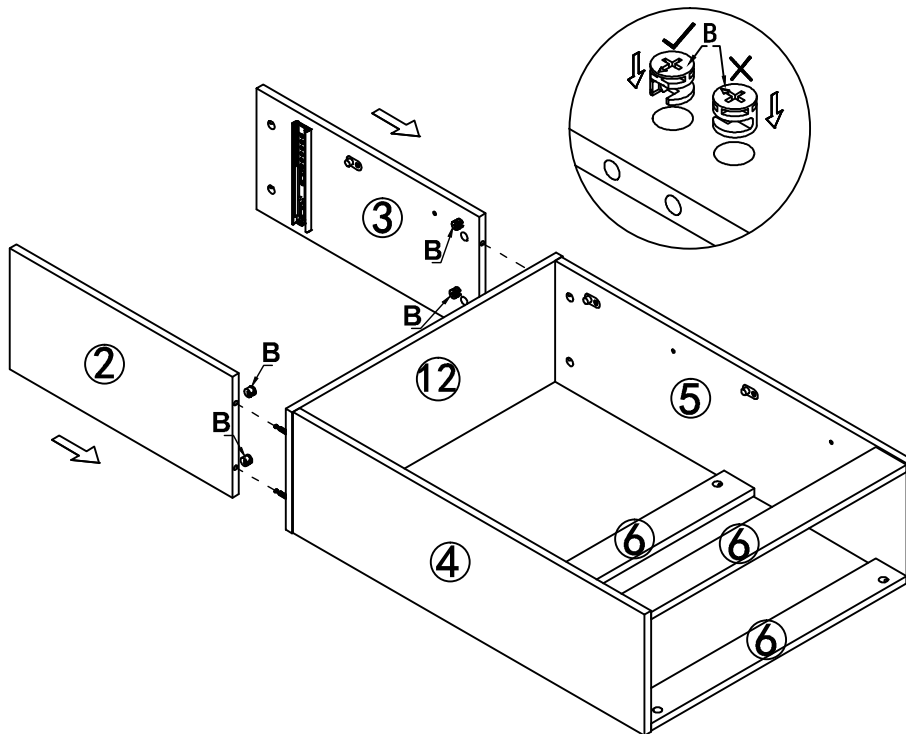


STEP 10

B



4 PCS

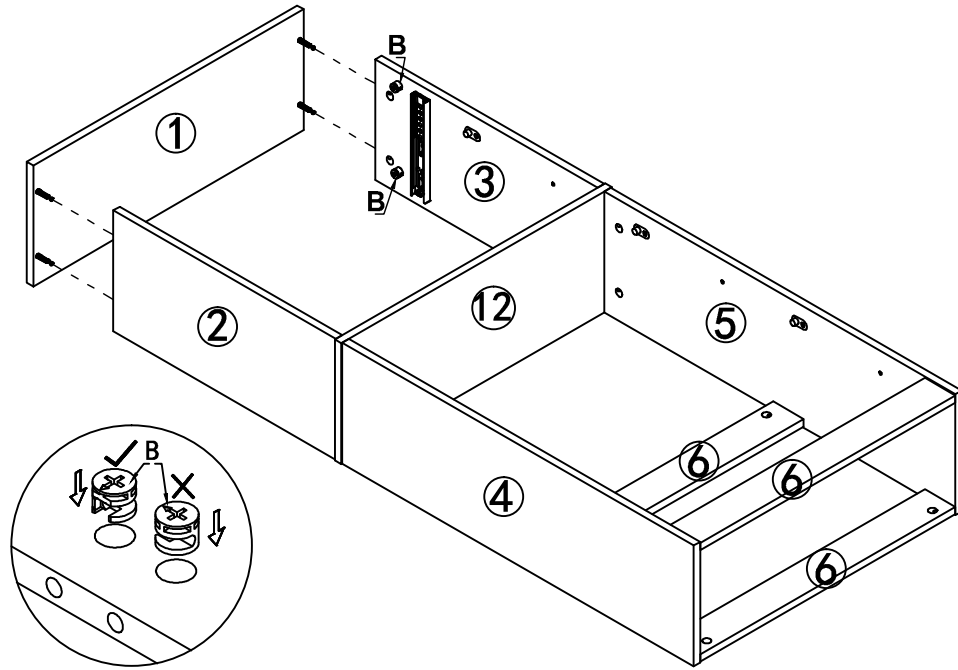


STEP 11

B



4 PCS

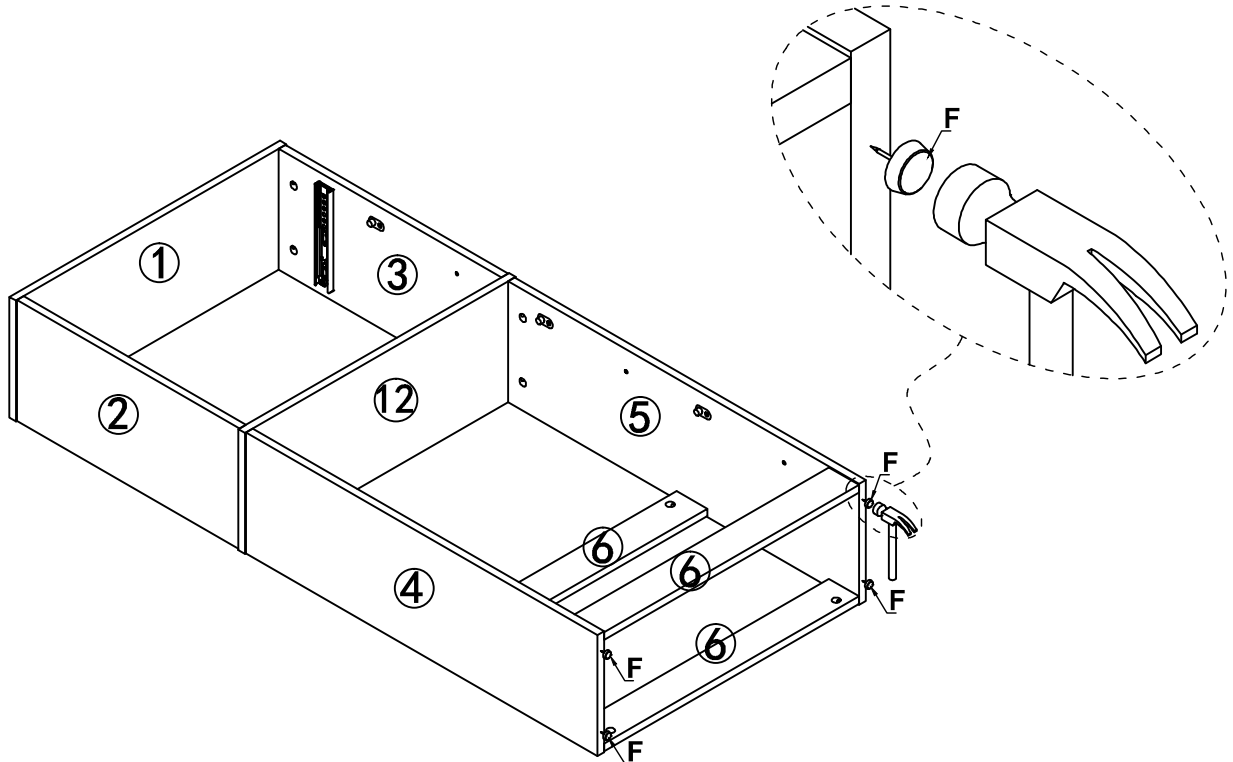


STEP 12

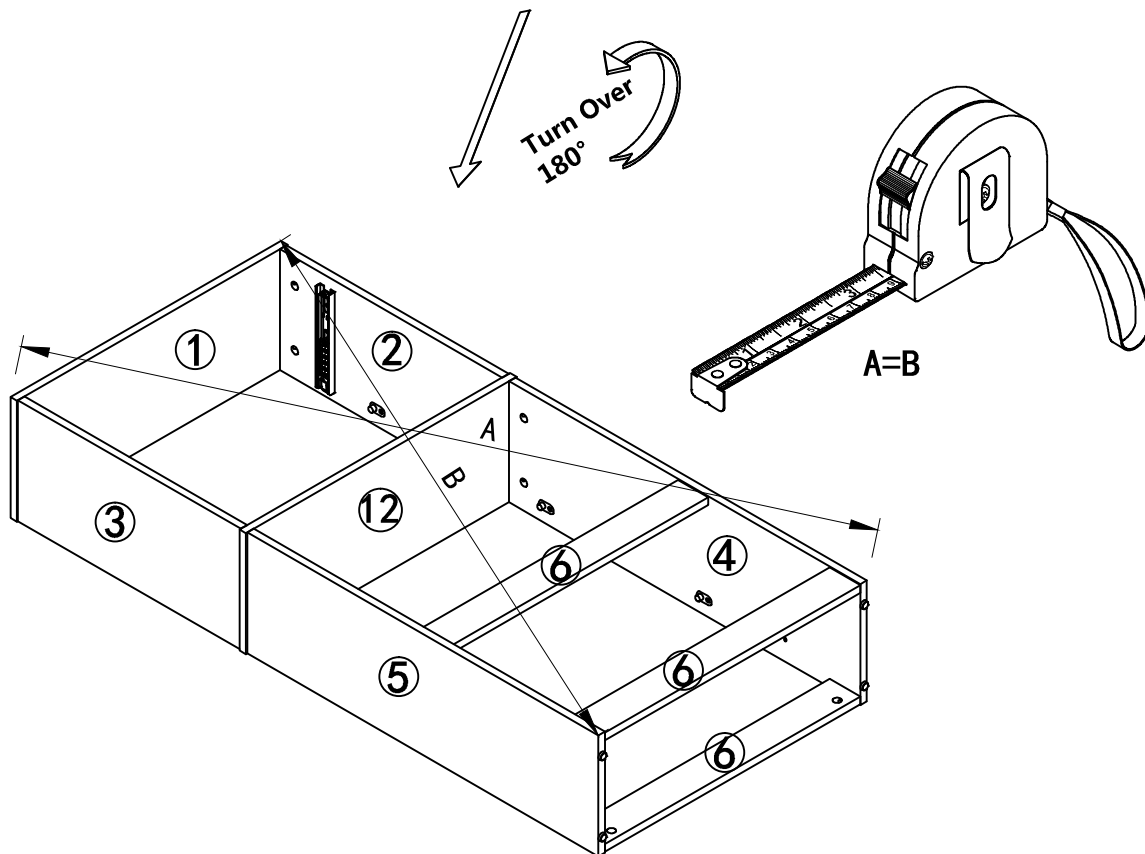
F




4 PCS

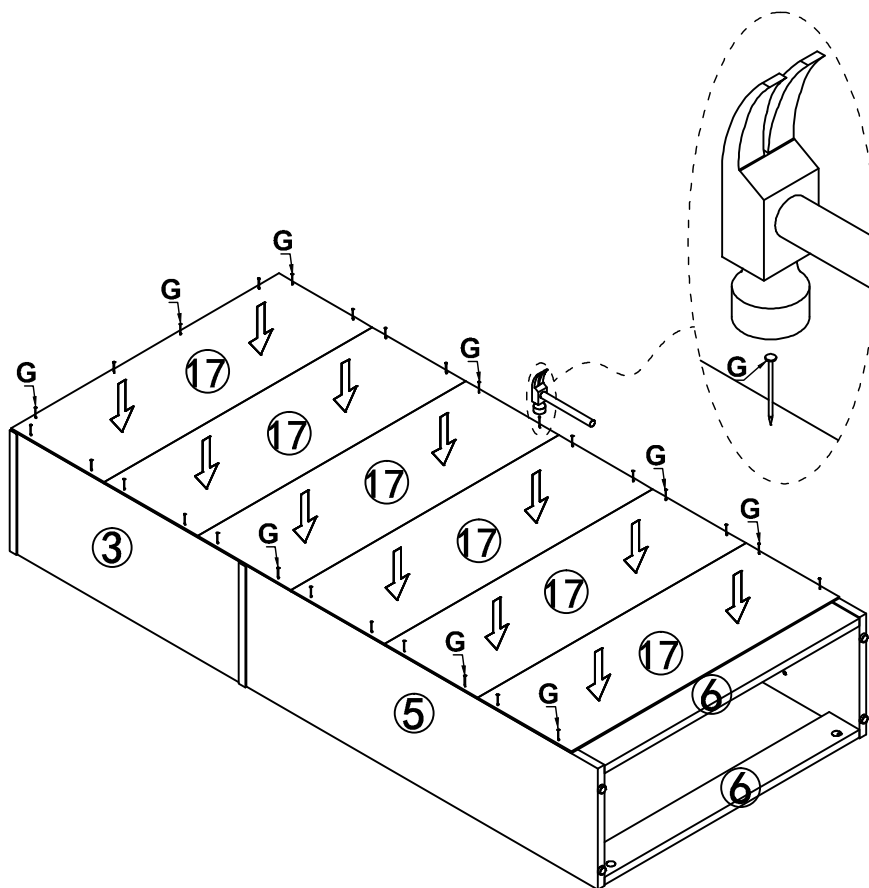


STEP 13



STEP 14

G  28PCS

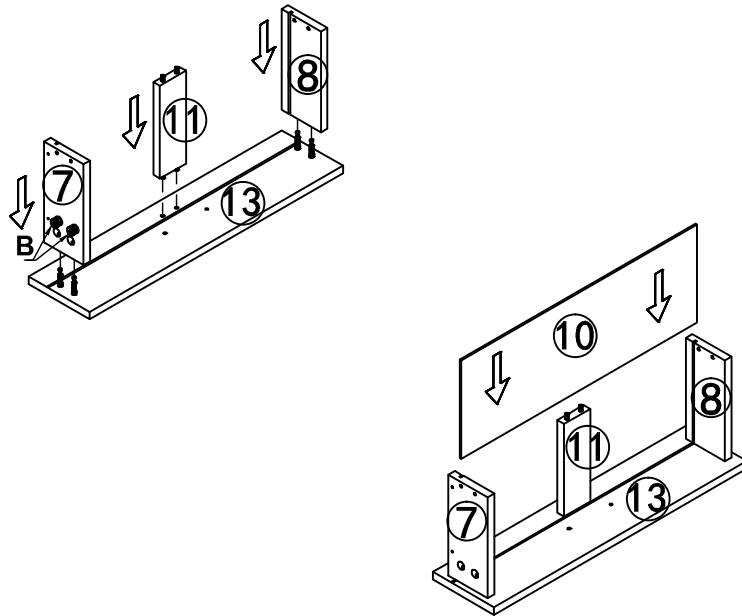


STEP 15

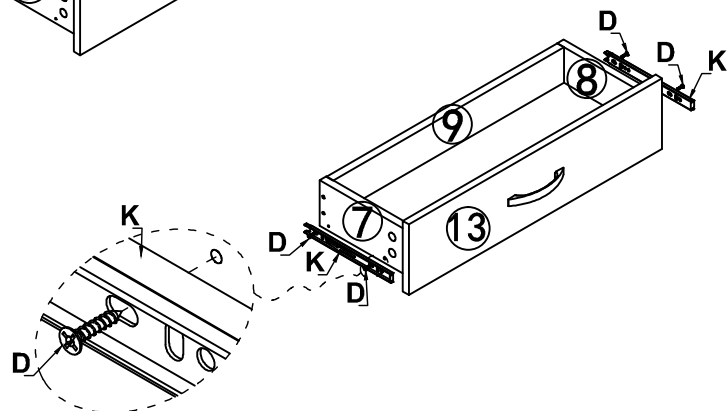
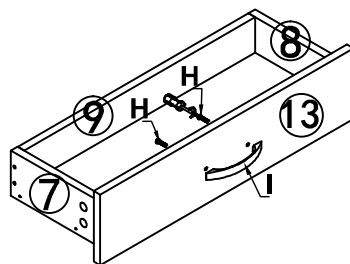
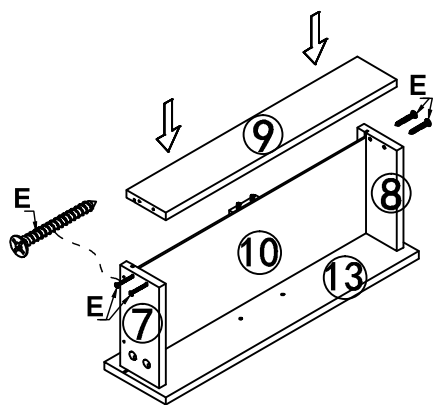
B



4 PCS

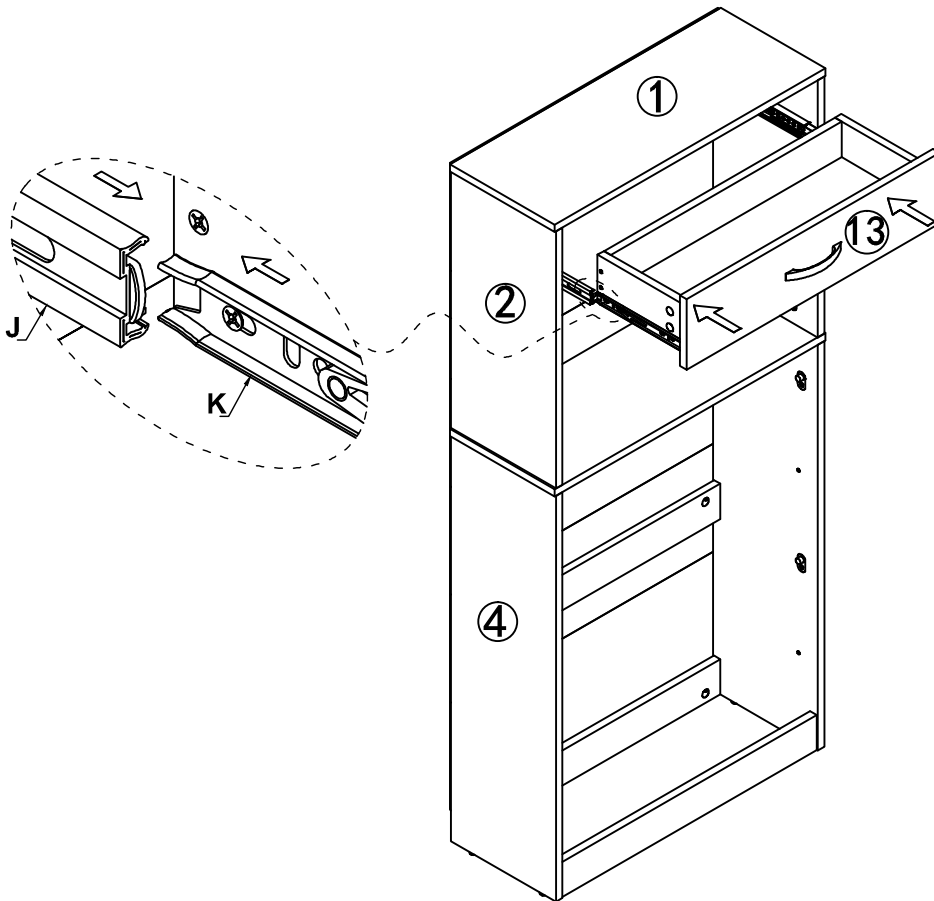


STEP 16

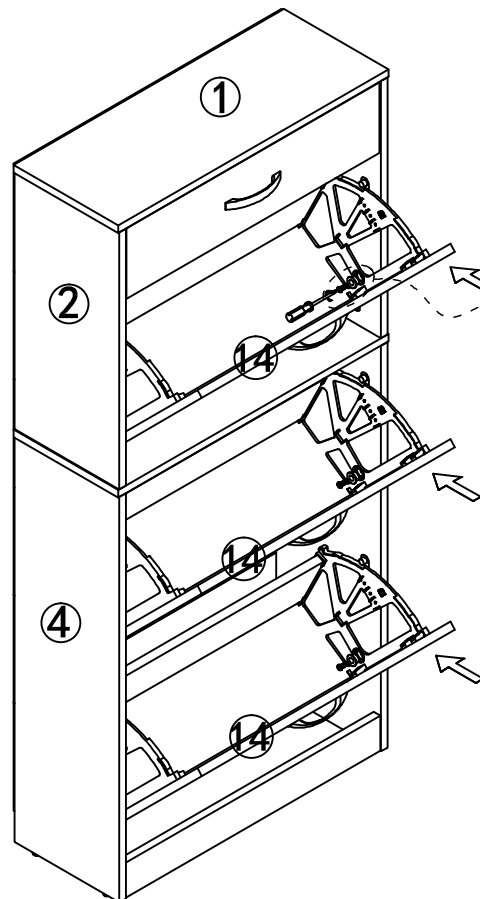




D		4 PCS
E		4 PCS
H		2 PCS
I		1 PCS
K		2 PCS

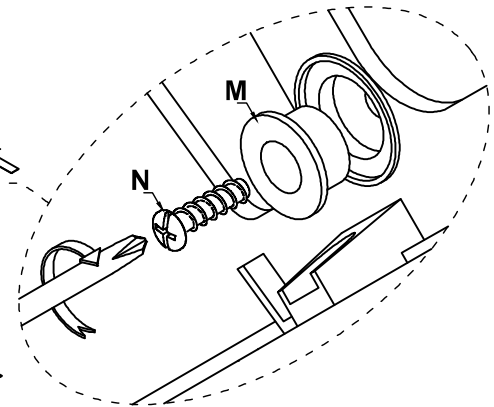
STEP 17



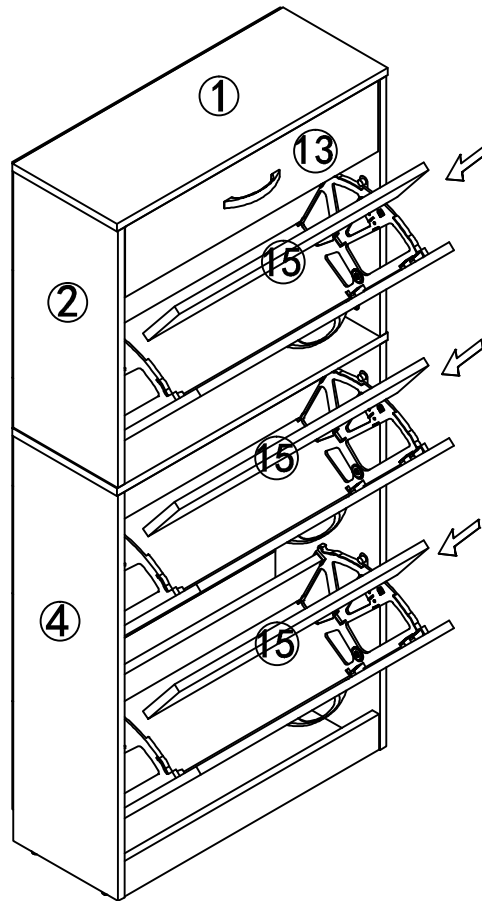
STEP 18



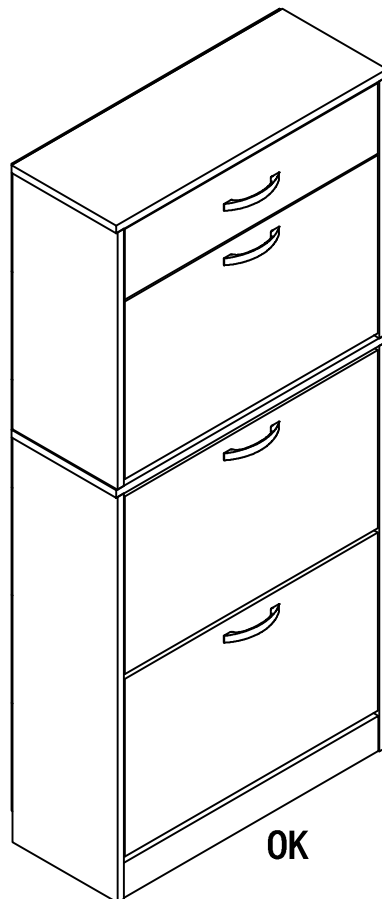
N		6 PCS
M		6 PCS



STEP 19

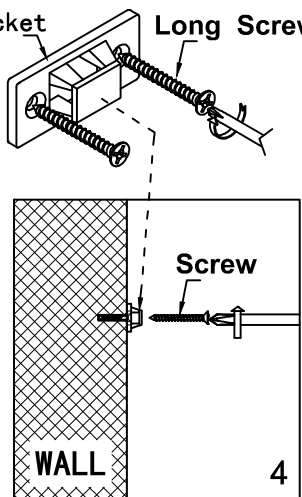
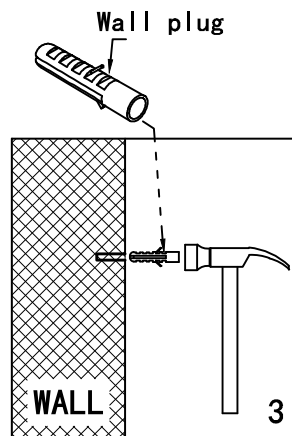
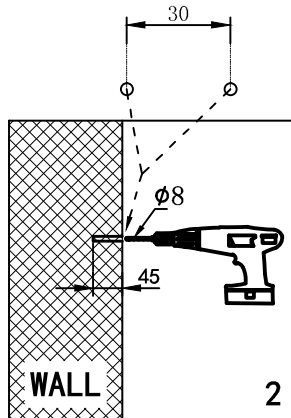
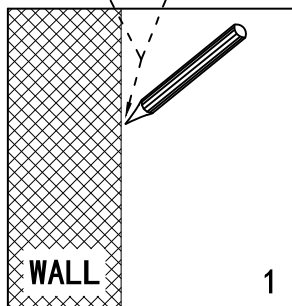
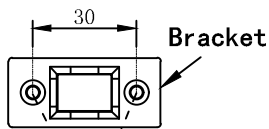
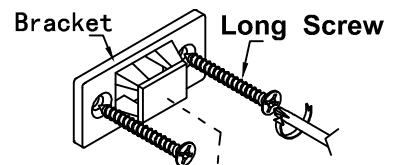
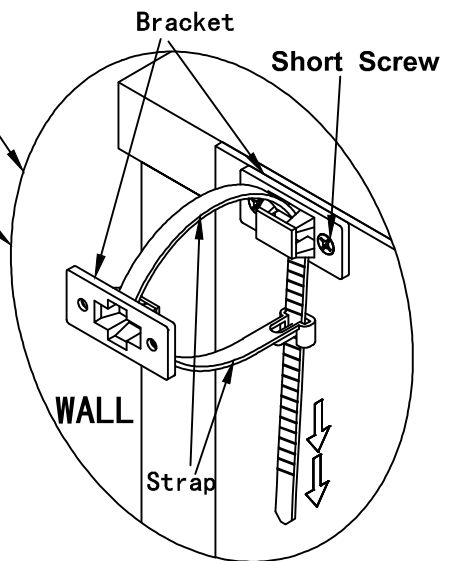
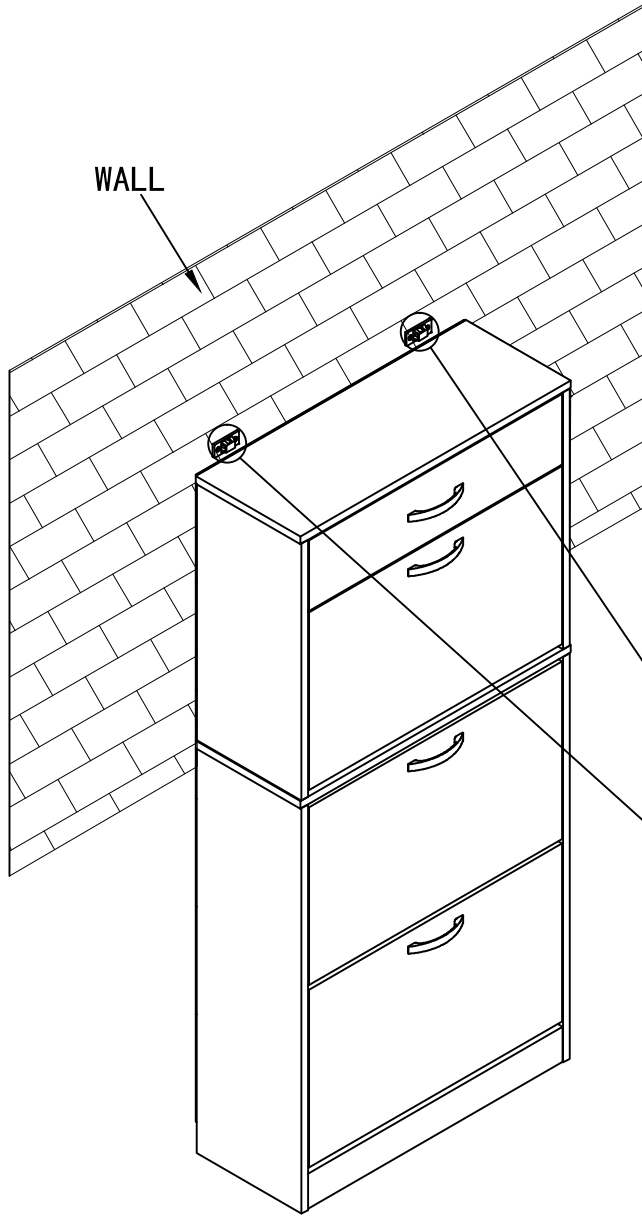
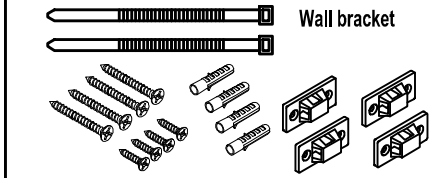


STEP 20



STEP 21

P=1



US



001-877-644-9366
customerservice@aosom.com

CA



001-855-537-6088
customerservice@aosom.ca

UK



0044-800-240-4004
enquiries@mhstar.co.uk

DE



0049-(0)40-88307530
service@aosom.de

FR



0033-1-84166106
contact@aosom.fr

ES



0034-931294512
atencioncliente@aosom.es

IT



0039-0249471447
clienti@aosom.it