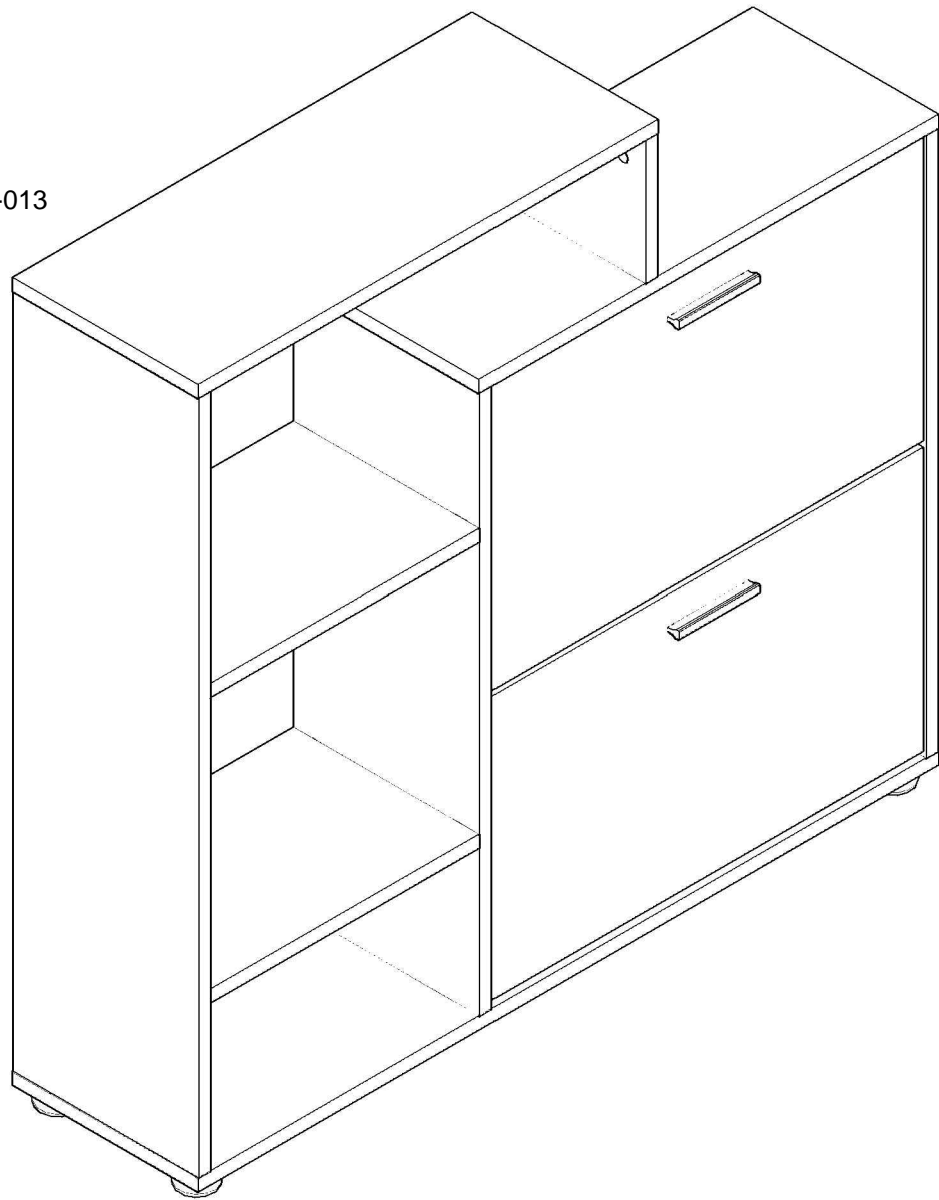
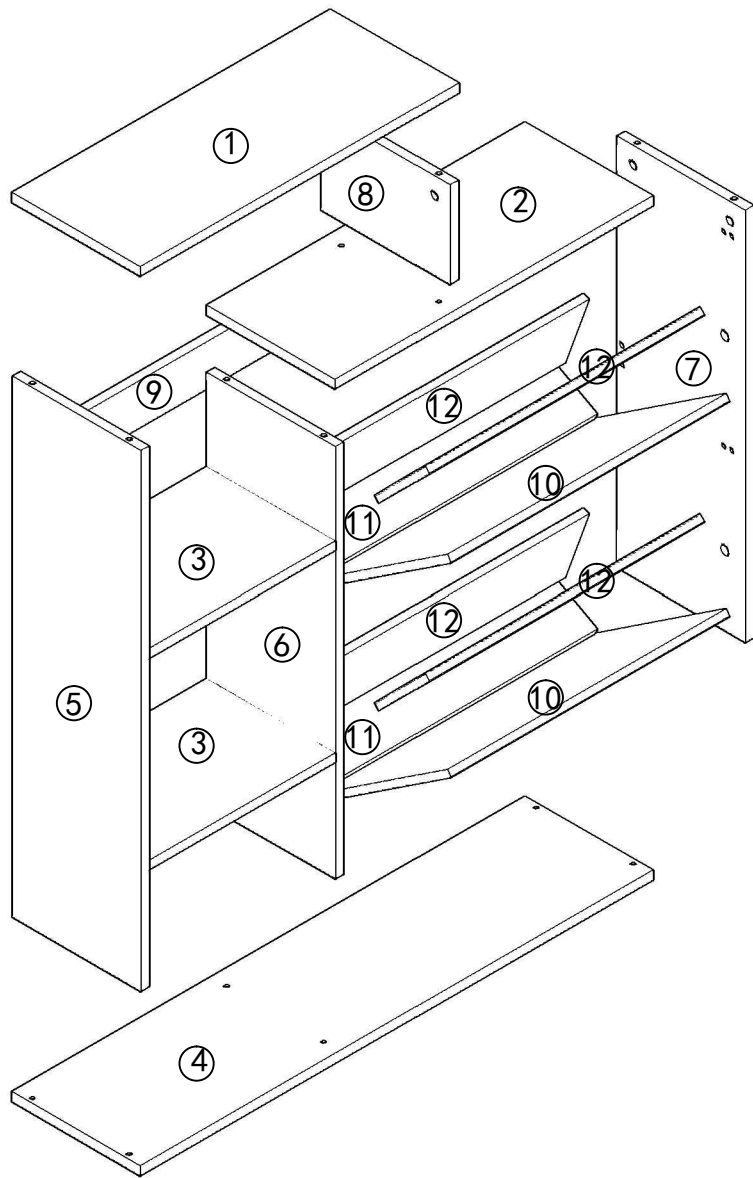


837-013

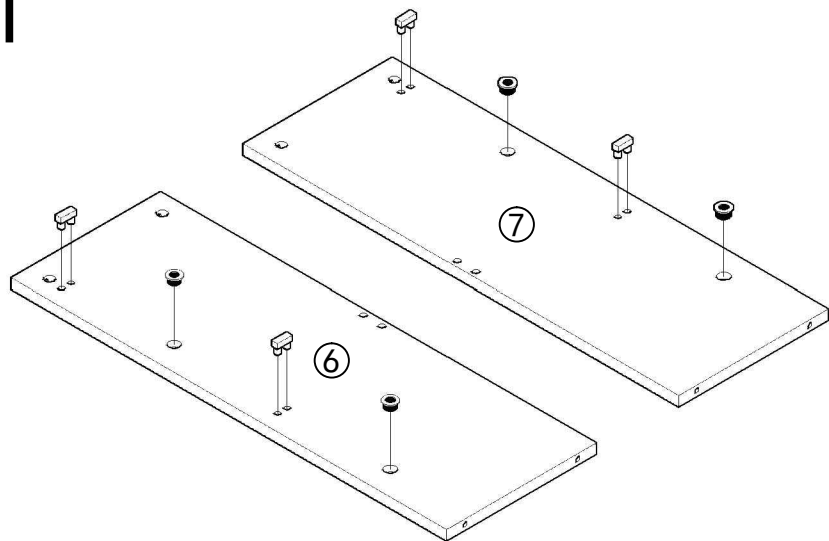


NO.	QTY.	L I NEDRAWING
A	20	
B	2	
C	4	
D	5	
E	8	
F	24	
G	5	
H	4	
I	4	
J	4	
K	4	
L	2	



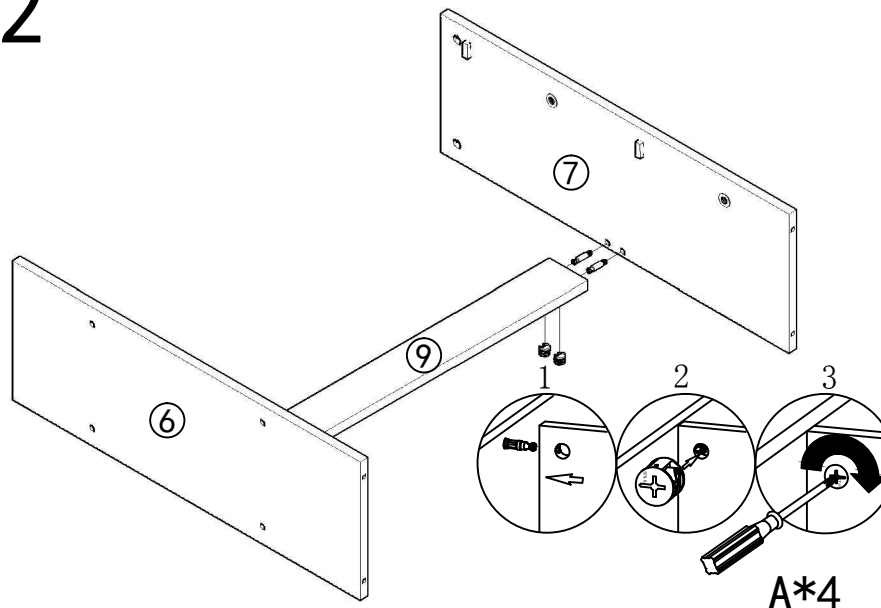
NO.	QTY.	L INEDRAWING
①	1	
②	1	
③	2	
④	1	
⑤	1	
⑥	1	
⑦	1	
⑧	1	
⑨	1	
⑩	2	
⑪	2	
⑫	4	

1



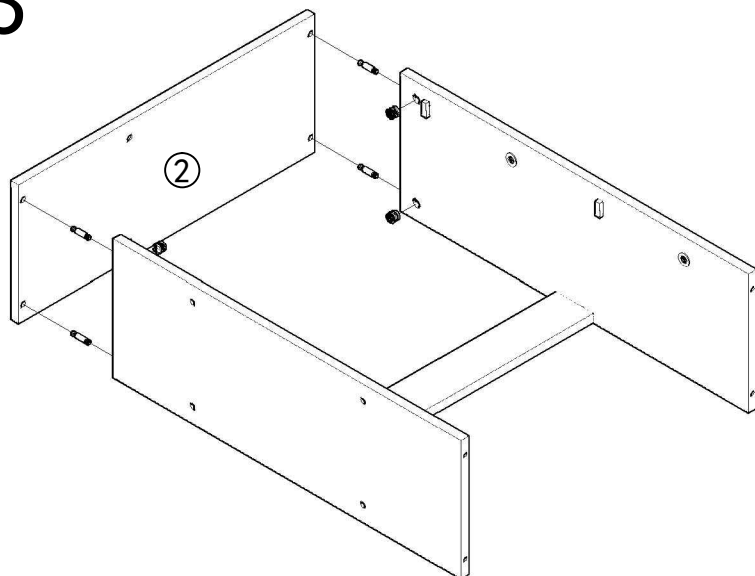
J*4+K*4

2



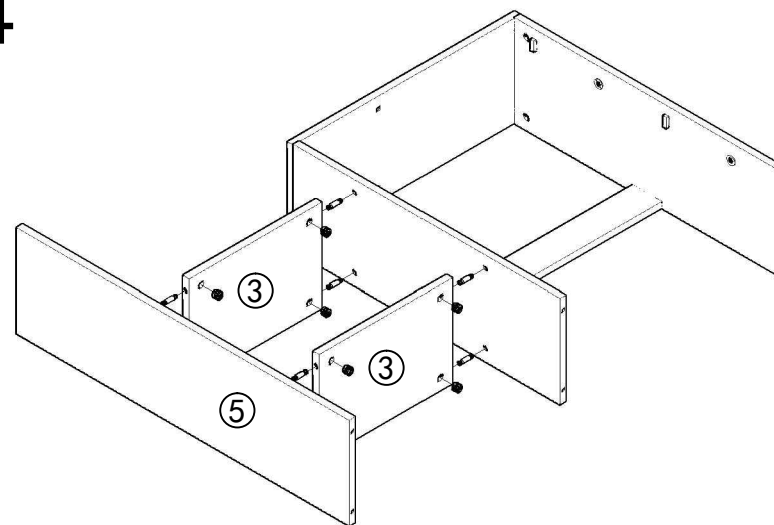
A*4

3



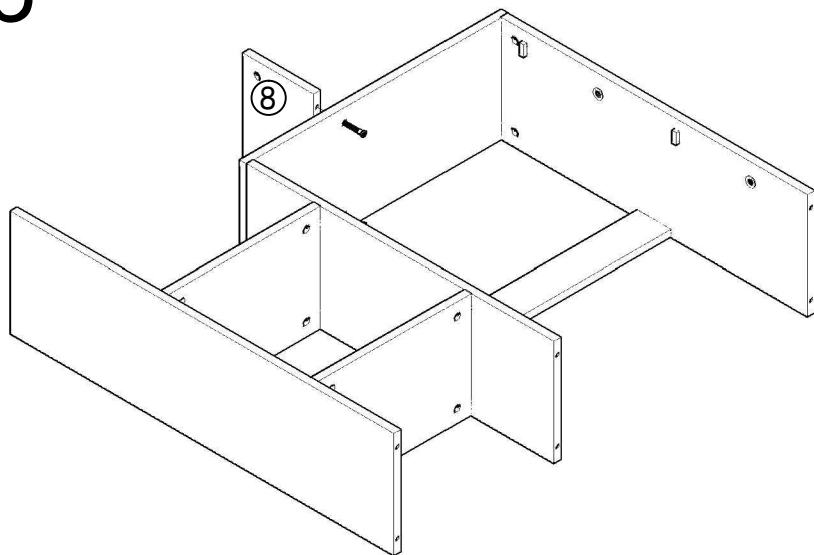
A*4

4



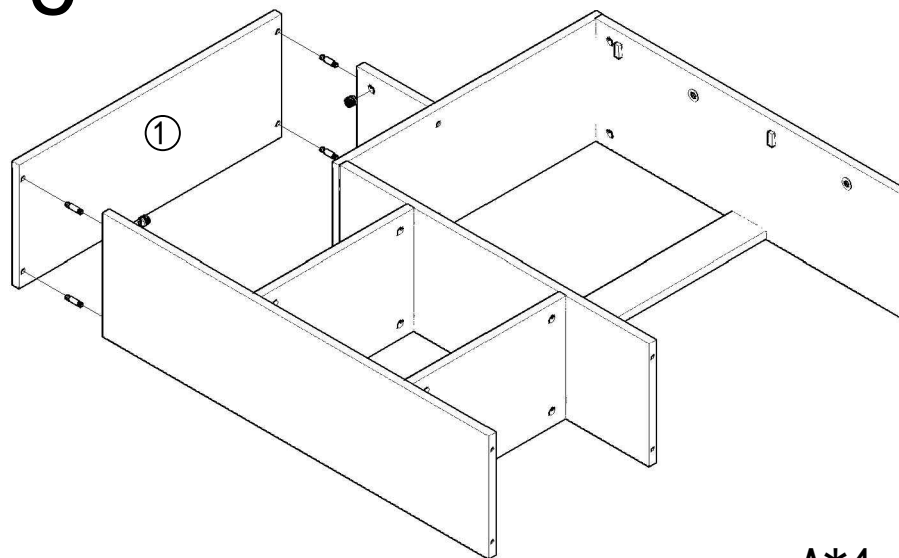
A*8

5



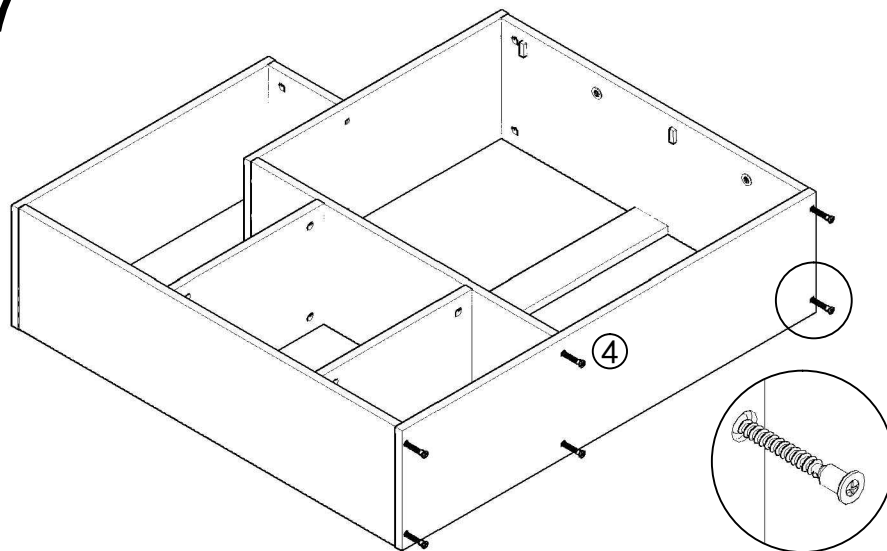
E*2

6



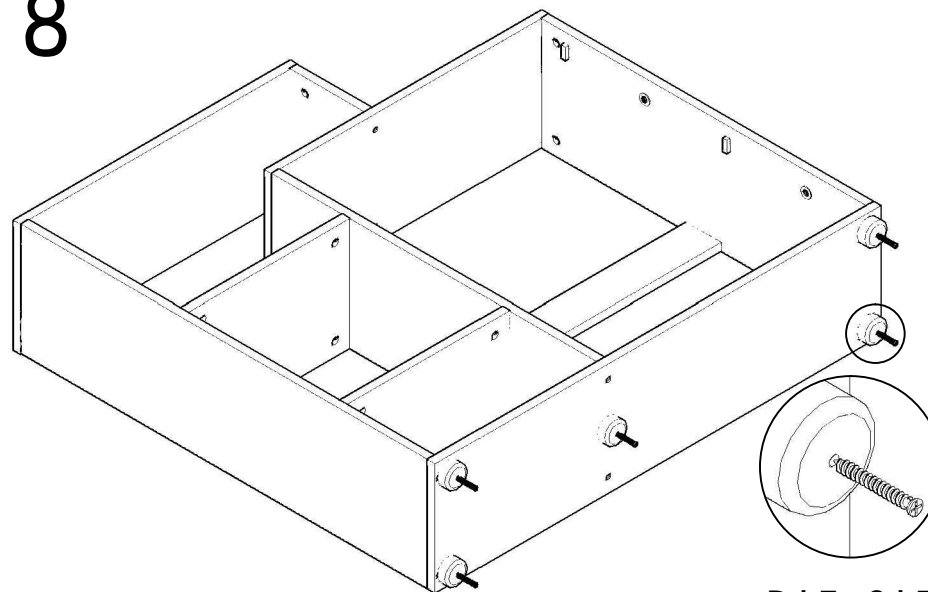
A*4

7



E*6

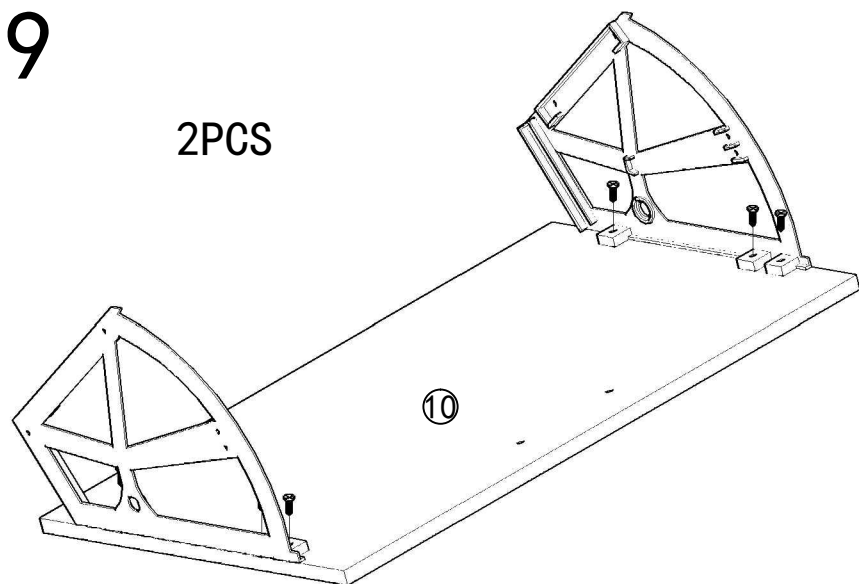
8



D*5+G*5

9

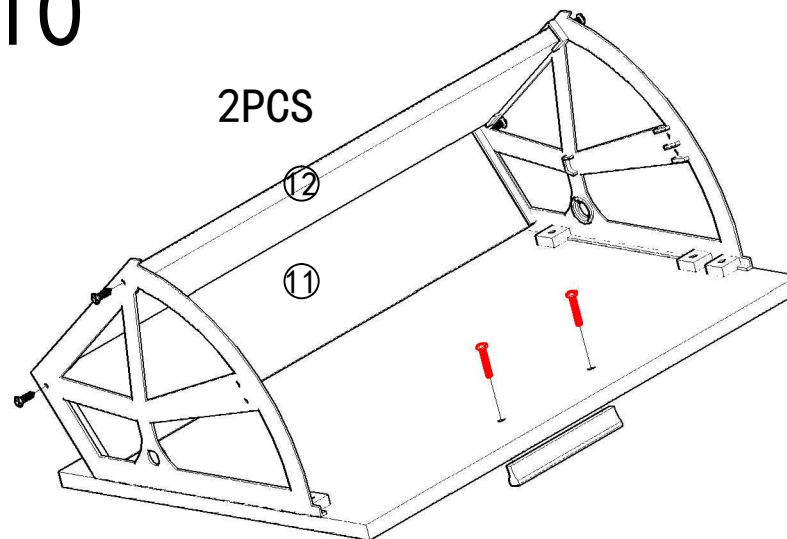
2PCS



$F*12+L*2$

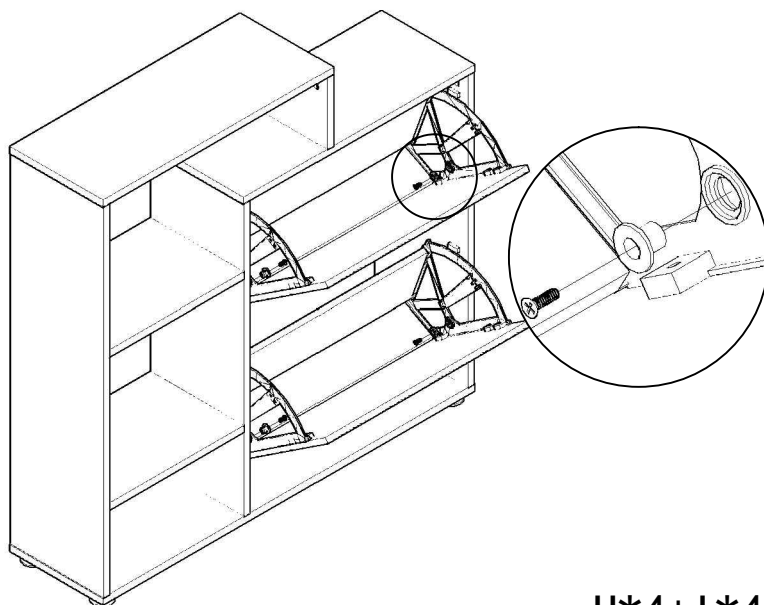
10

2PCS



$B*2+C*4+F*8$

11



$H*4+I*4$

12

