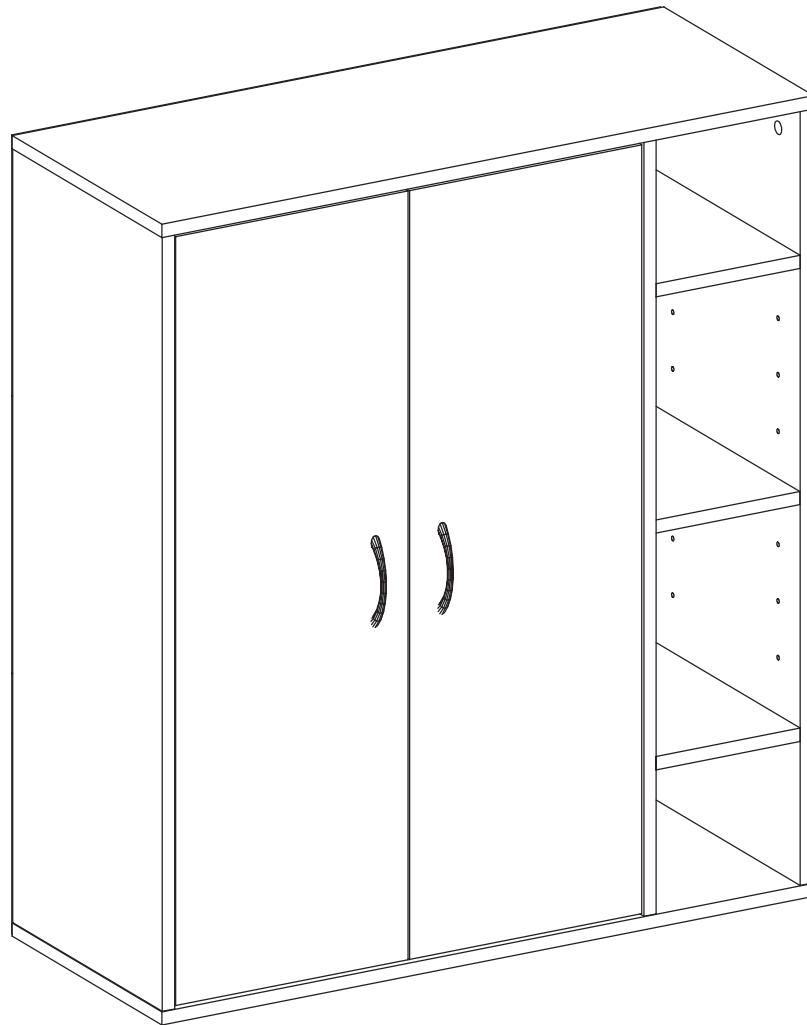
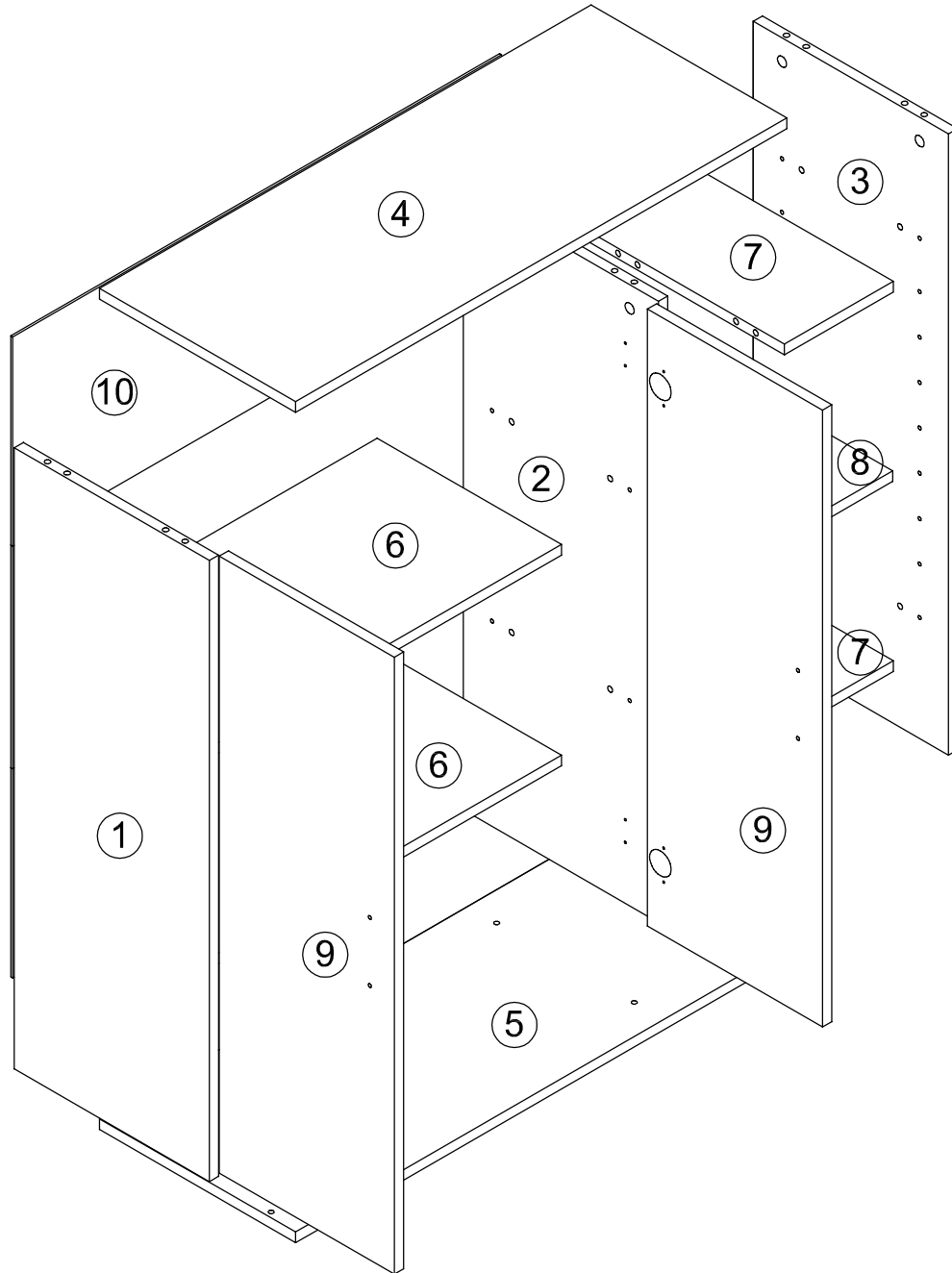


Assembly Instruction

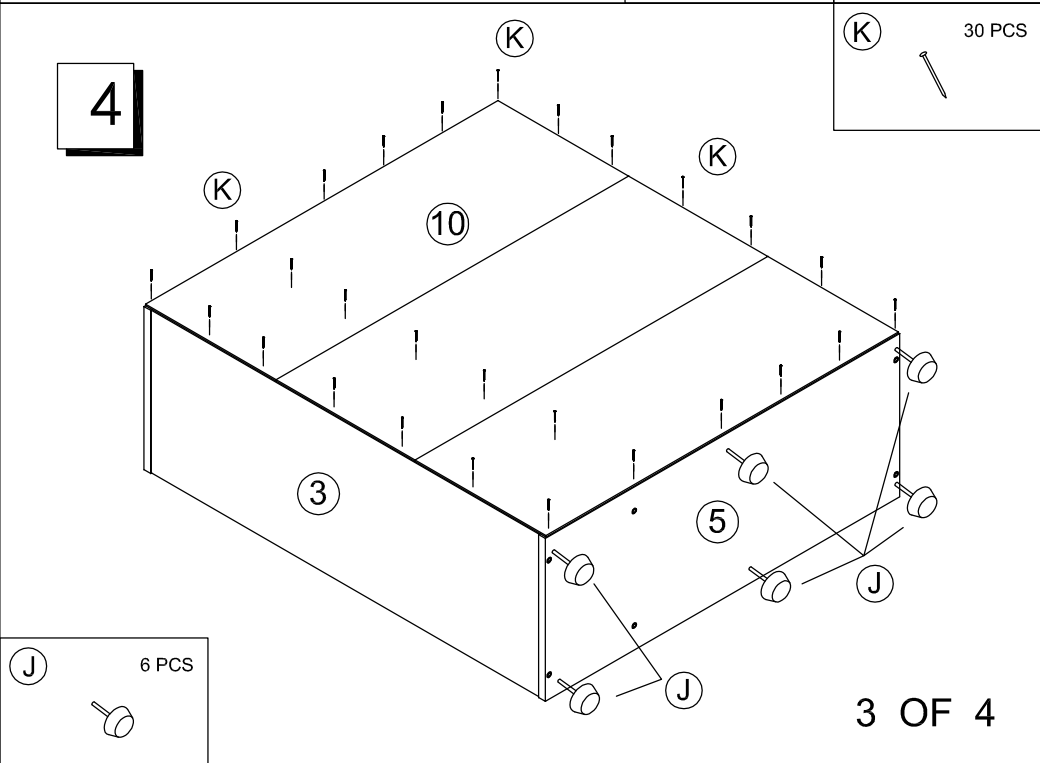
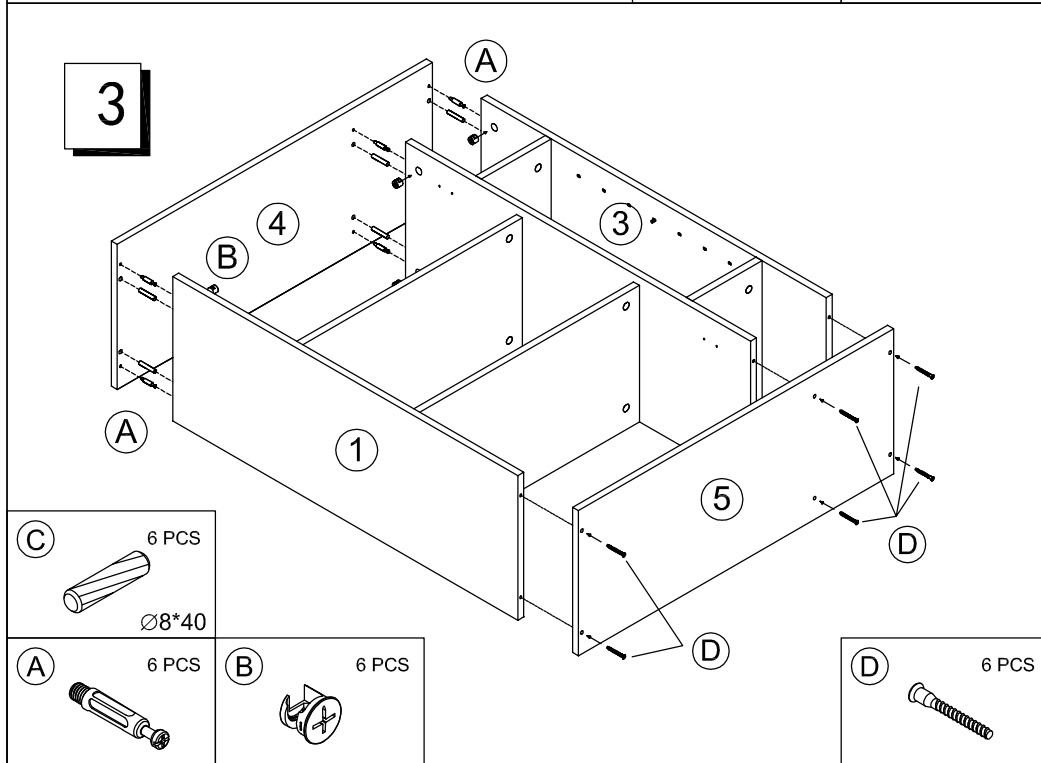
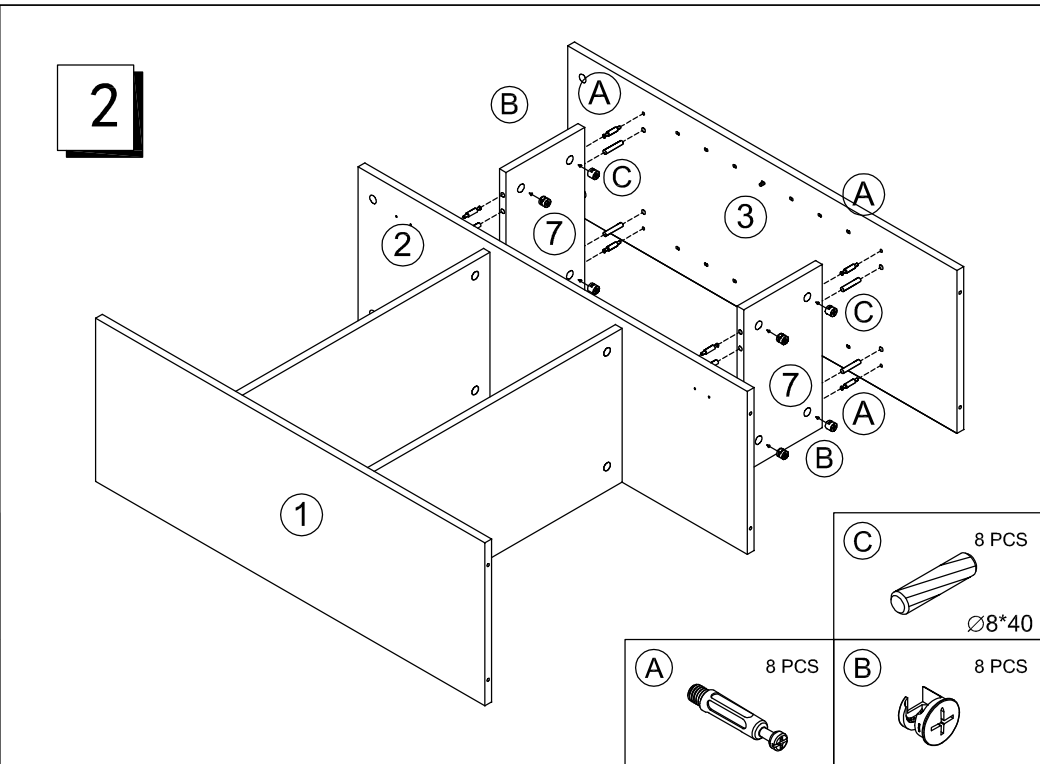
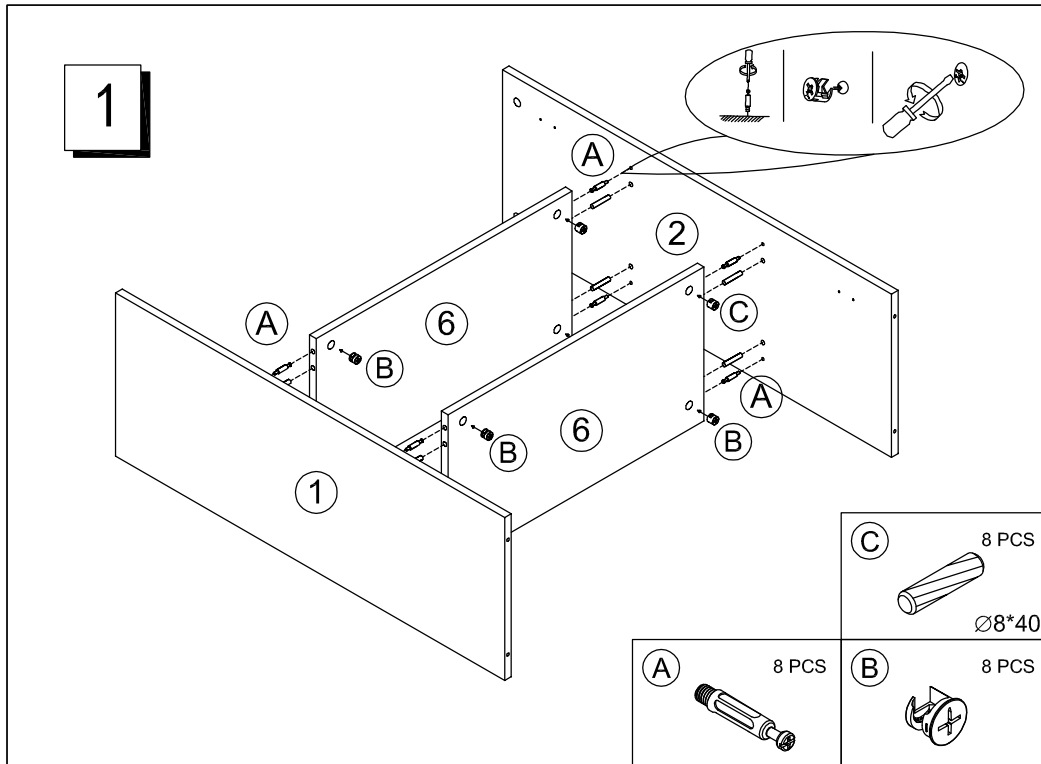


NO.	QTY.	LINEDRAWING	DESCRIPTION
(A)	22		
(B)	22		
(C)	22		
(D)	6		
(E)	4		
(F)	4		
(G)	24		
(H)	2		
(I)	4		
(J)	6		
(K)	30		

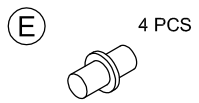
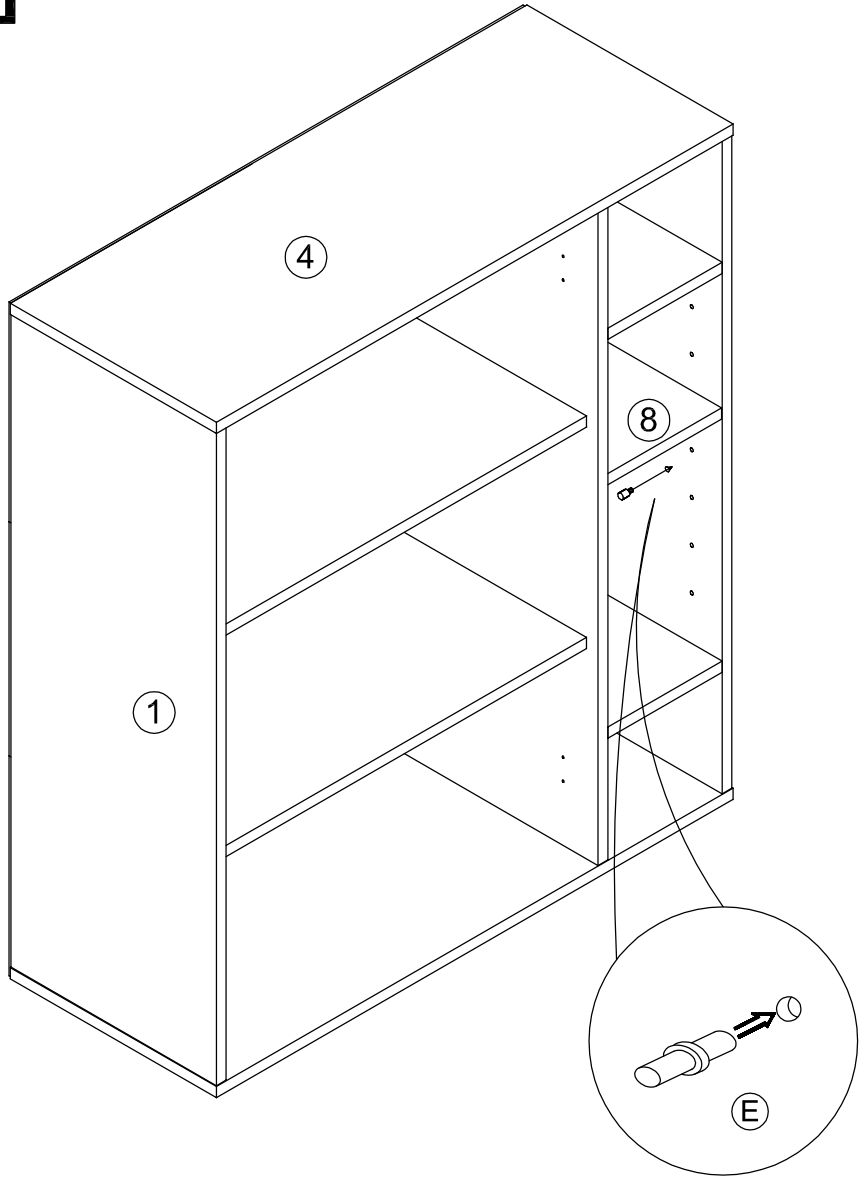
PARTS LIST



NO.	QTY.	LINEDRAWING	DESCRIPTION
①	1		
②	1		
③	1		
④	1		
⑤	1		
⑥	2		
⑦	2		
⑧	1		
⑨	2		
⑩	1		



5



6

