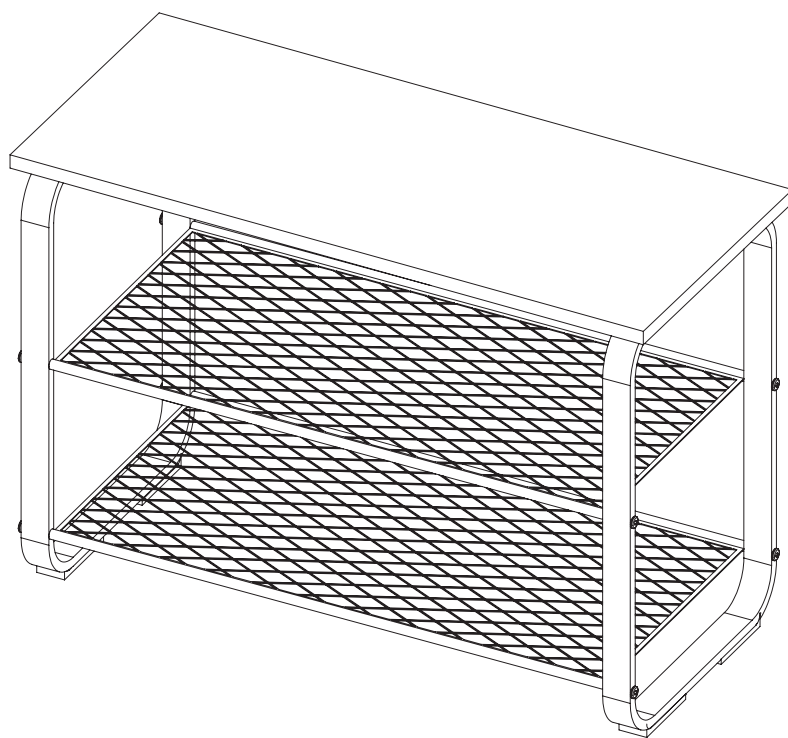




INctb059_GL


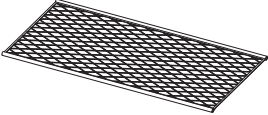
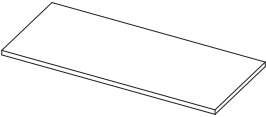

837-184


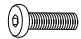



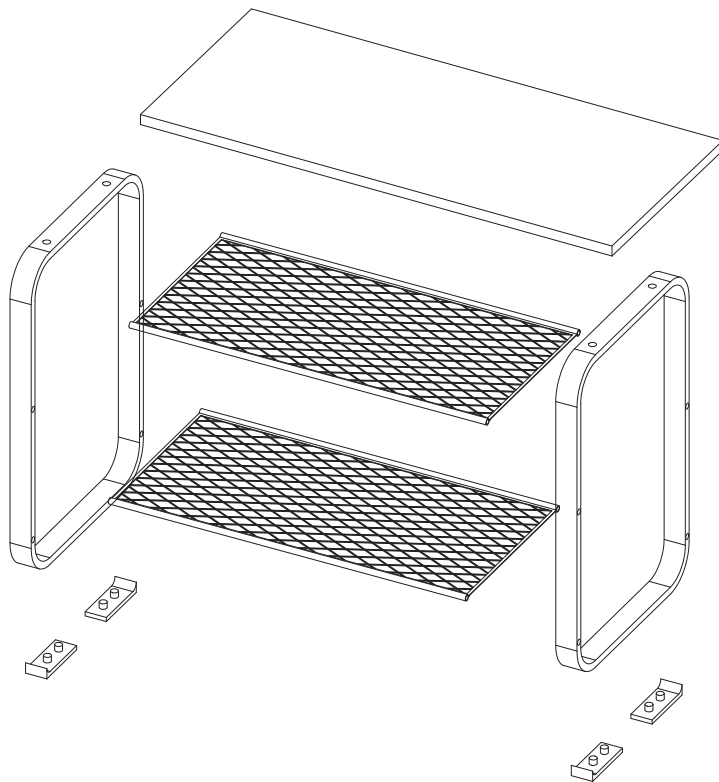
READ AND SAVE THIS INSTRUCTION FOR FUTURE USE

ASSEMBLY INSTRUCTION

Part List

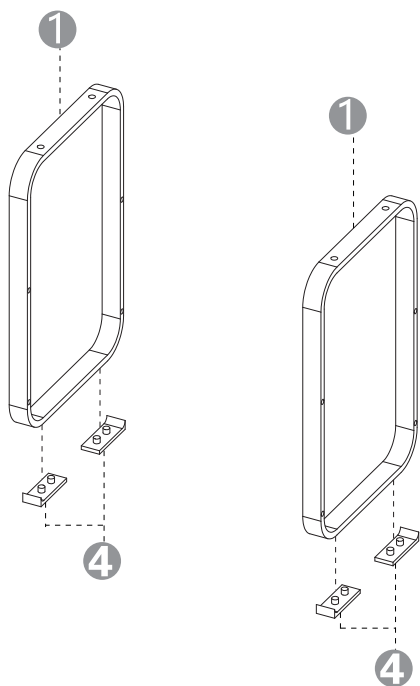
<p>1</p>  <p>X2</p>	<p>2</p>  <p>X2</p>	<p>3</p>  <p>X1</p>	<p>4</p>  <p>X4</p>
---	---	--	---

PART NO.	QTY.	PARTS	
A	8	M5 x50mm	
B	4	M6*20mm	
C	1	M4	

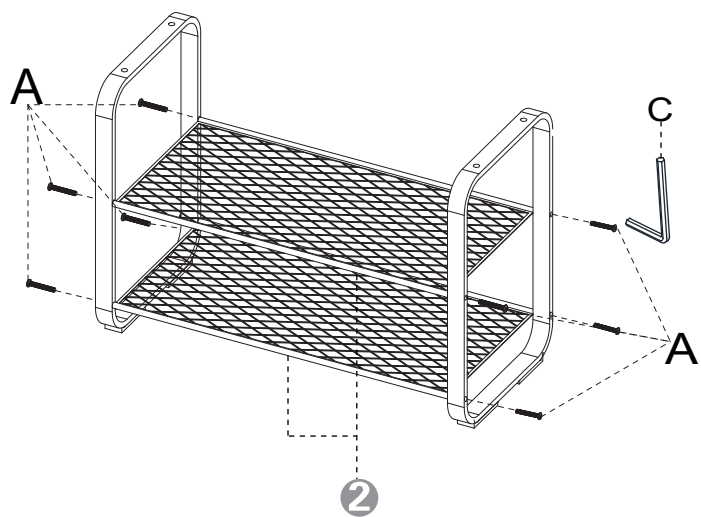


Assembly Instructions

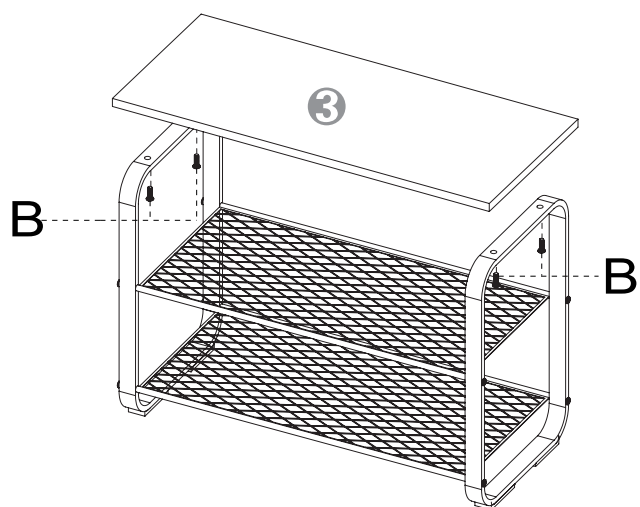
1



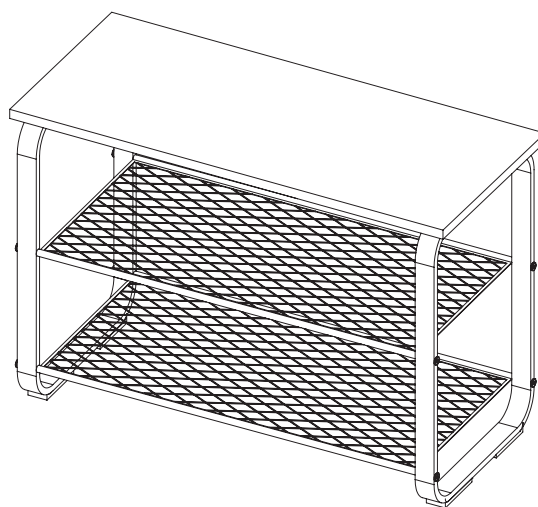
2



3



4



US



001-877-644-9366
customerservice@aosom.com

CA



001-855-537-6088
customerservice@aosom.ca

UK



0044-800-240-4004
enquiries@mhstar.co.uk

DE



0049-(0)40-88307530
service@aosom.de

FR



0033-1-84166106
contact@aosom.fr

ES



0034-931294512
atencioncliente@aosom.es

IT



0039-0249471447
clienti@aosom.it