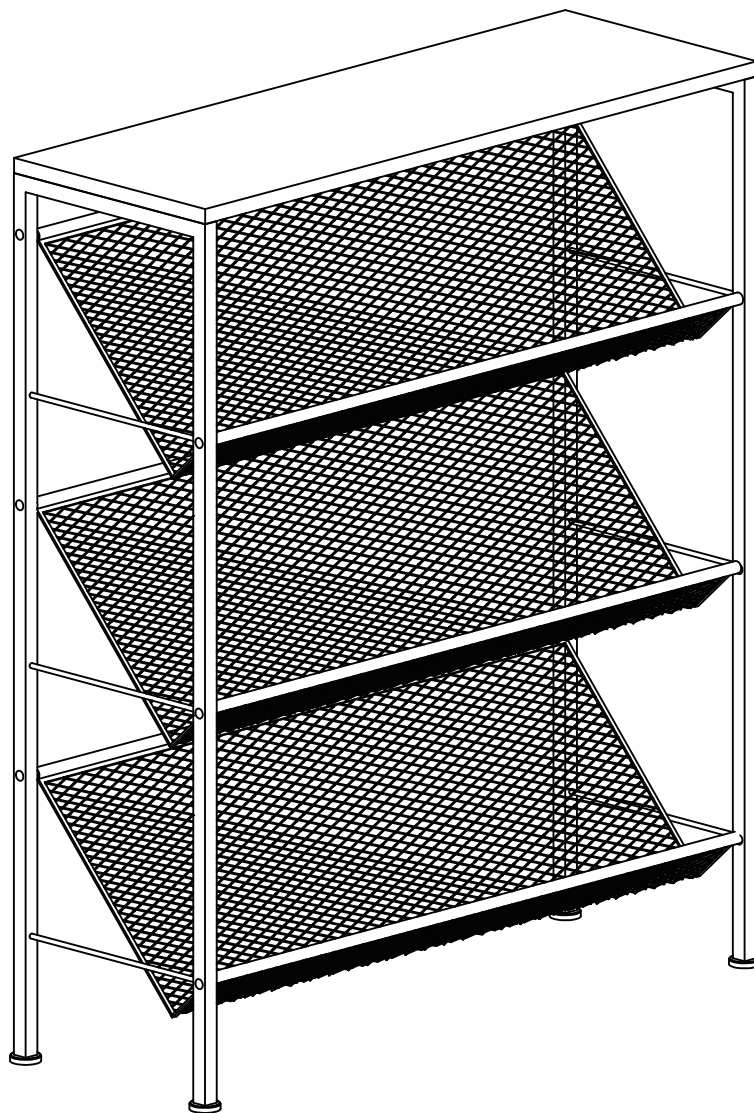




INctb062_US_CA_UK_ES_DE_IT

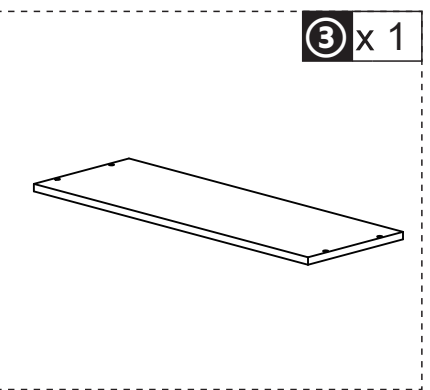
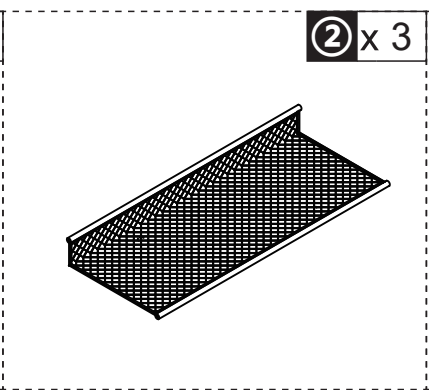
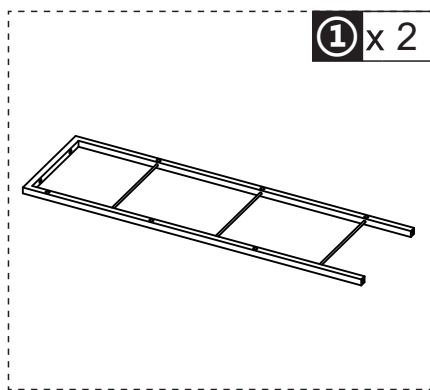
837-220



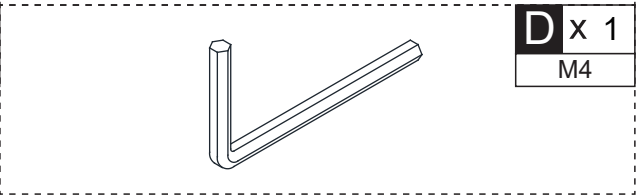
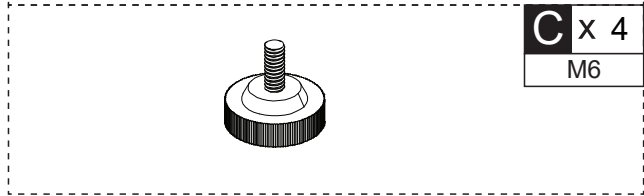
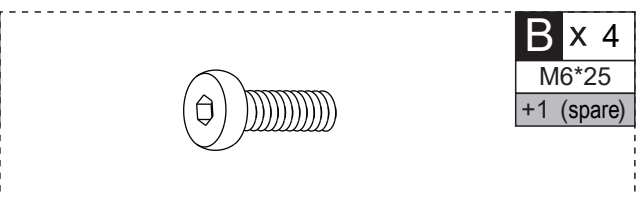
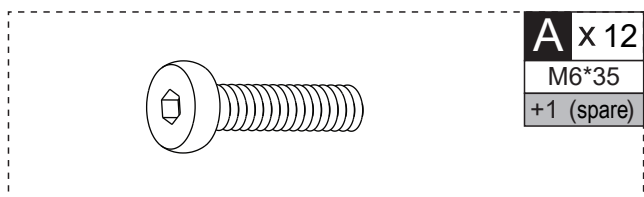
IMPORTANT, RETAIN FOR FUTURE REFERENCE: READ CAREFULLY

ASSEMBLY & INSTRUCTION MANUAL

PARTS



HARDWARE



EXPLOSION FIGURE

