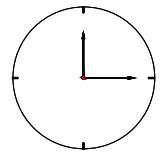


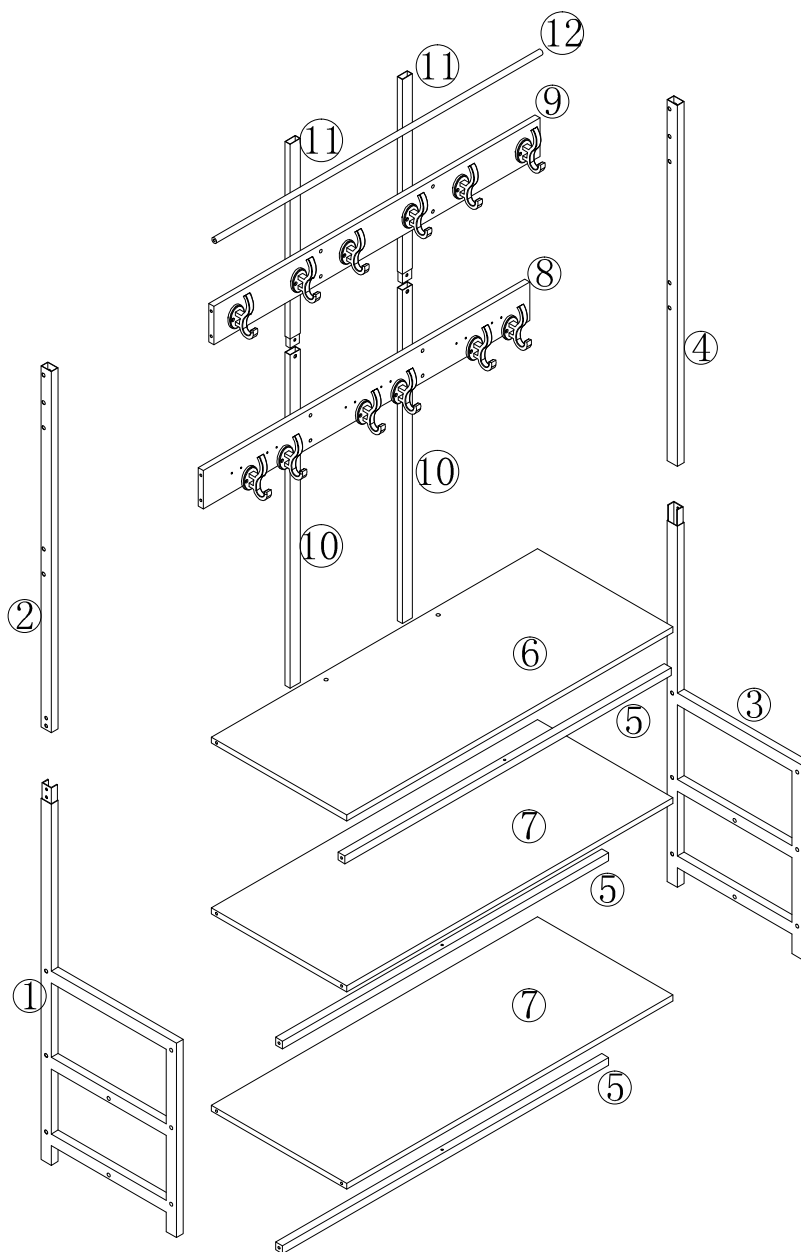
2 Persons



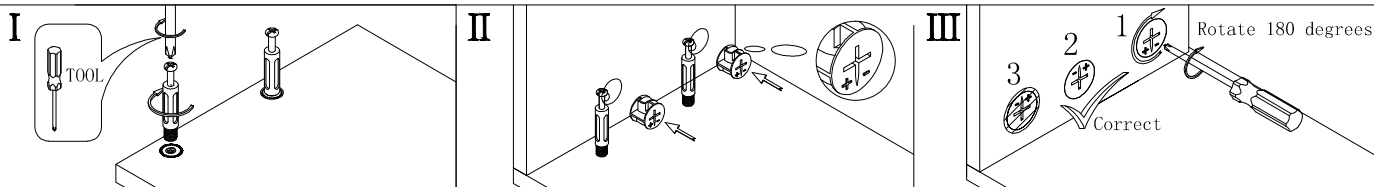
2 hours




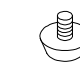


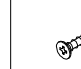

READ AND SAVE THIS INSTRUCTION FOR FUTURE USE

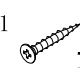




ASSEMBLY INSTRUCTION





Disassembly and installation of accessories

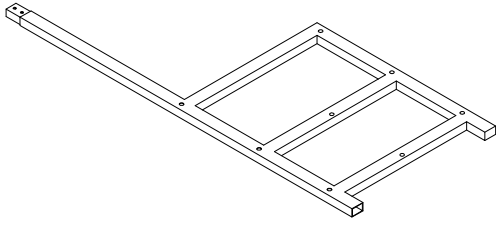
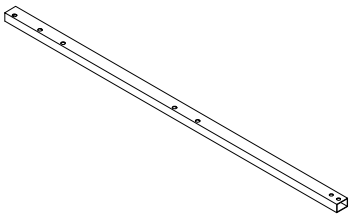
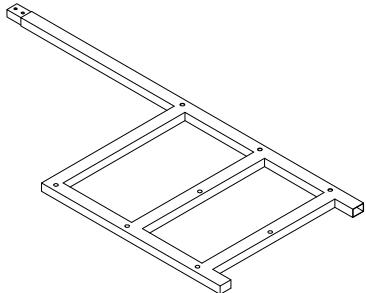
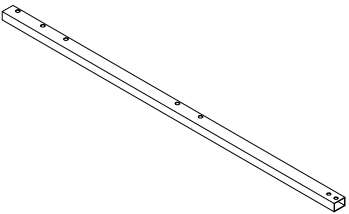
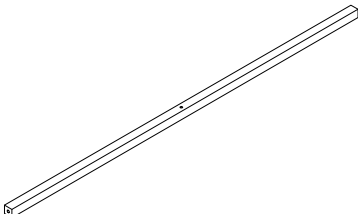
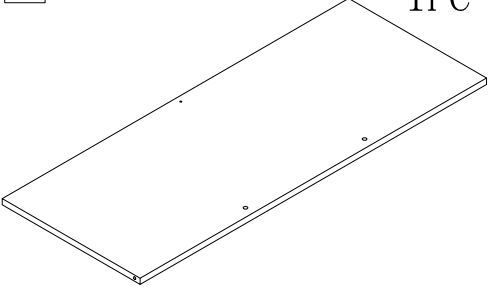
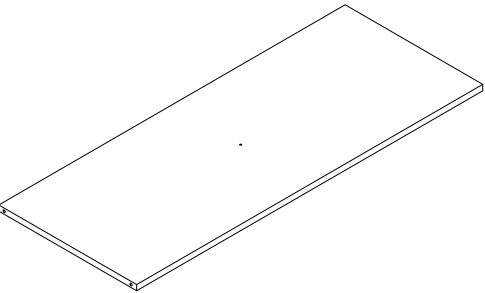
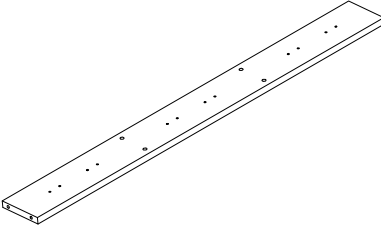
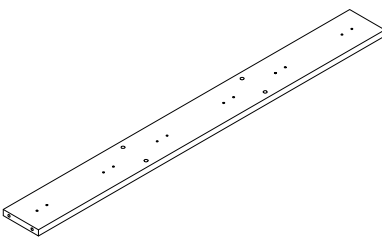
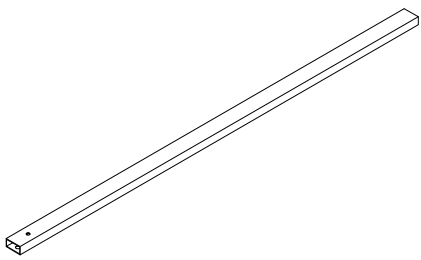
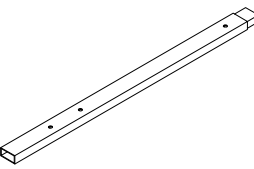
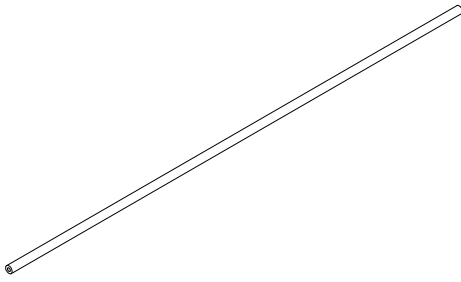


A 10PCS	B 8PCS	C 6PCS	D 4PCS	E 24PCS	F 12PCS	G 3PCS	H 18PCS
							
Ø6*35mm	Ø6*25mm	Ø6*12mm	Ø6mm	Ø3.5*14mm		Ø3.5*30mm	Ø7*38mm

I				
I₁  x1	I₂  x2	I₃  x1	I₄  x1	I₅  x1
Ø3.5*30mm		Ø7*30mm	Ø4*12mm	

J 1PC

M4mm


Tools Recommended

1 1PC 	2 1PC 	3 1PC 
4 1PC 	5 3PCS 	6 1PC 
7 2PCS 	8 1PC 	9 1PC 
10 2PCS 	11 2PCS 	12 1PC 

Note : Do not tighten bolts fully until all parts are connected!

Note : Ne serrez pas les boulons à fond tant que toutes les pièces ne sont pas connectées!



Hinweis: Ziehen Sie die Schrauben erst fest an, wenn alle Teile verbunden sind!

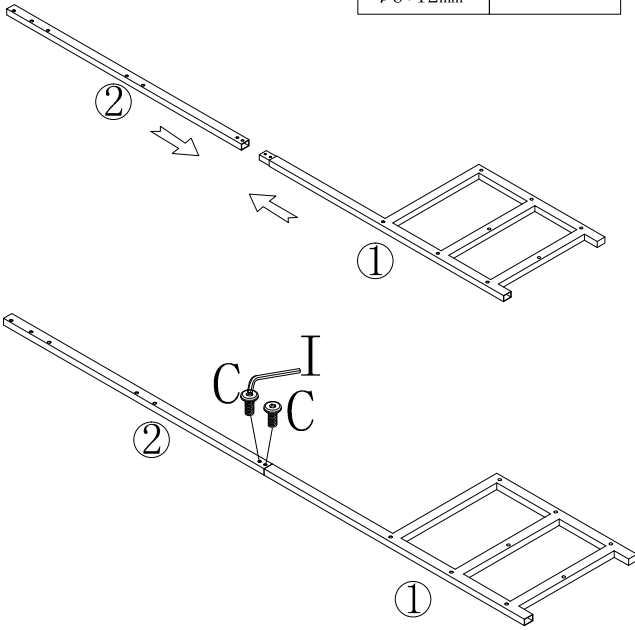
Nota: non serrare completamente i bulloni fino a tutte le parti non sono ancora collegate!

Nota: No apriete los tornillos completamente hasta que todas las partes están conectadas!




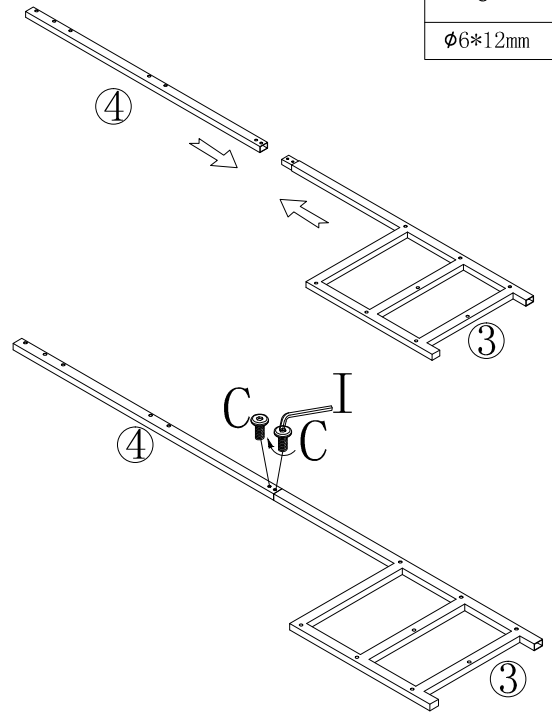
1

C	2PCS	J	1PC
			
$\phi 6 * 12 \text{mm}$		M4	

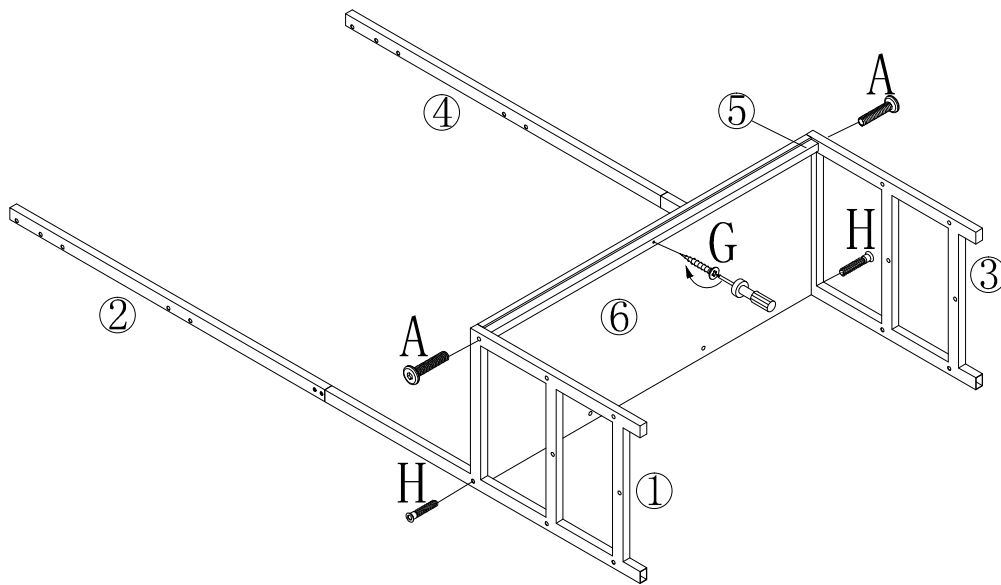






2

C	2PCS
	
$\phi 6 * 12 \text{mm}$	

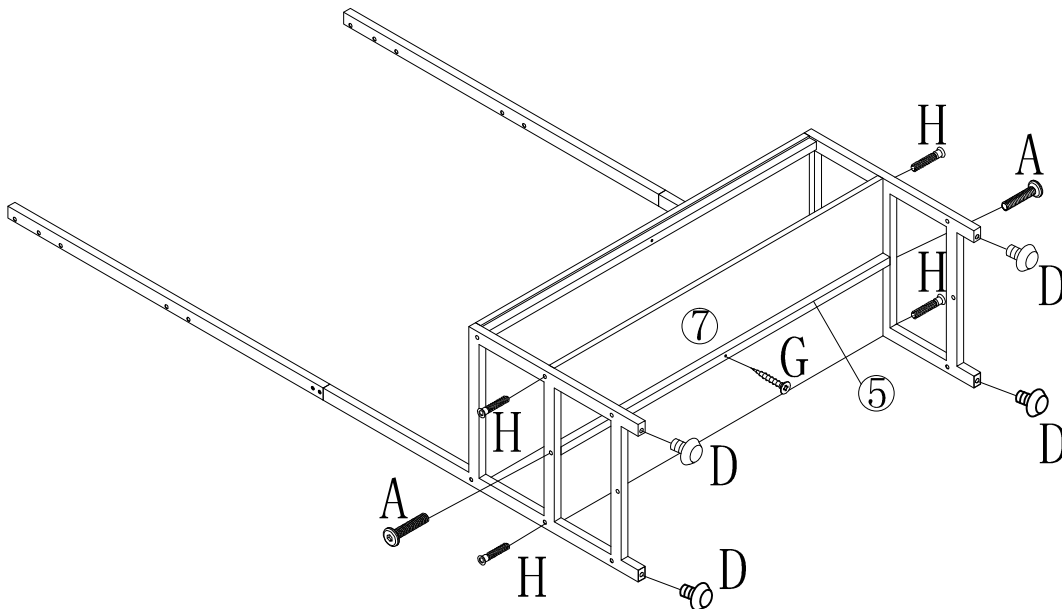






3



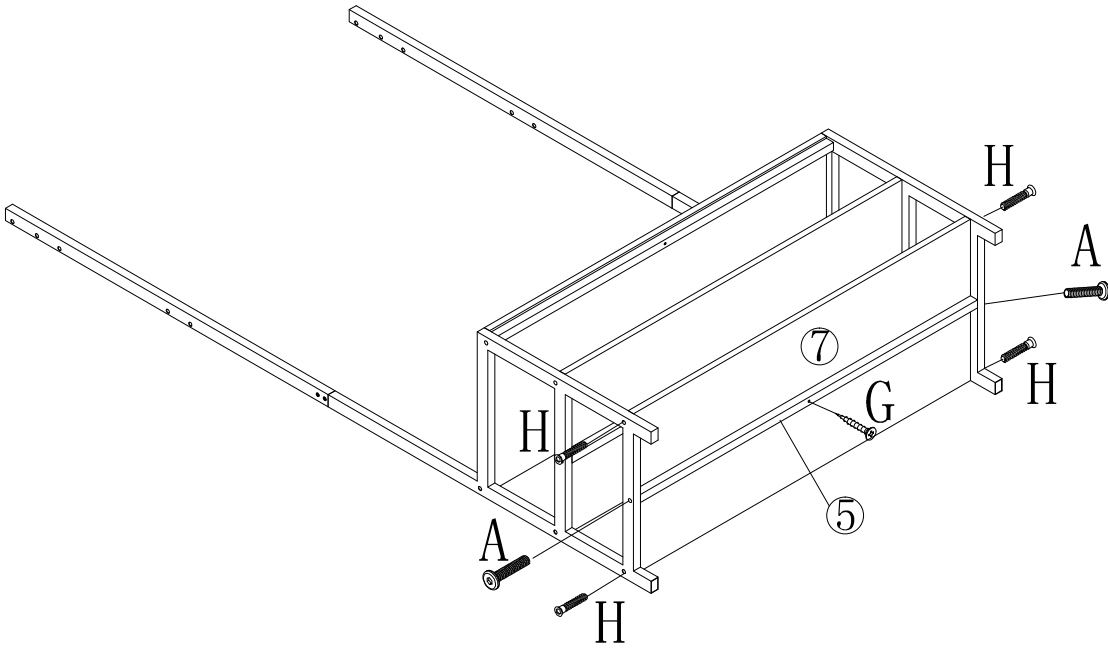
G	1PC
	
$\phi 3.5 * 30 \text{mm}$	
J	1PC
	
H	2PCS
	
$\phi 7 * 38 \text{mm}$	
A	2PCS
	
$\phi 6 * 35 \text{mm}$	




4




A	2PCS
	
$\phi 6 * 35 \text{mm}$	
D	4PCS
	
$\phi 6 \text{mm}$	
H	4PCS
	
$\phi 7 * 38 \text{mm}$	
G	1PC
	
$\phi 3.5 * 30 \text{mm}$	

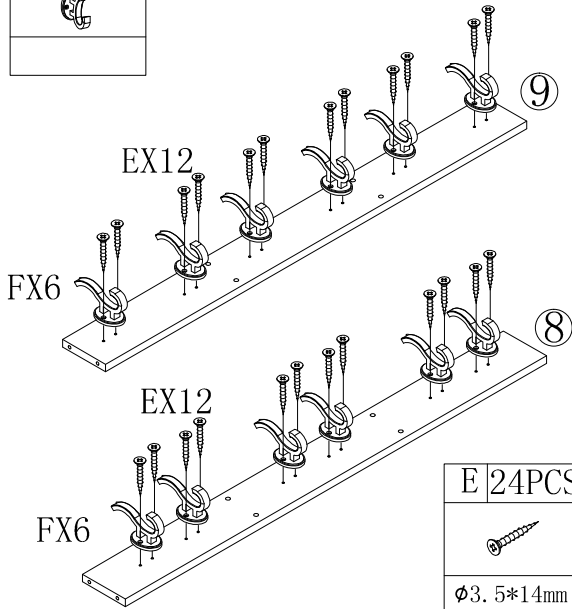
5




A	2PCS
	
Ø6*35mm	
G	1PC
	
Ø3.5*30mm	
H	4PCS
	
Ø7*38mm	

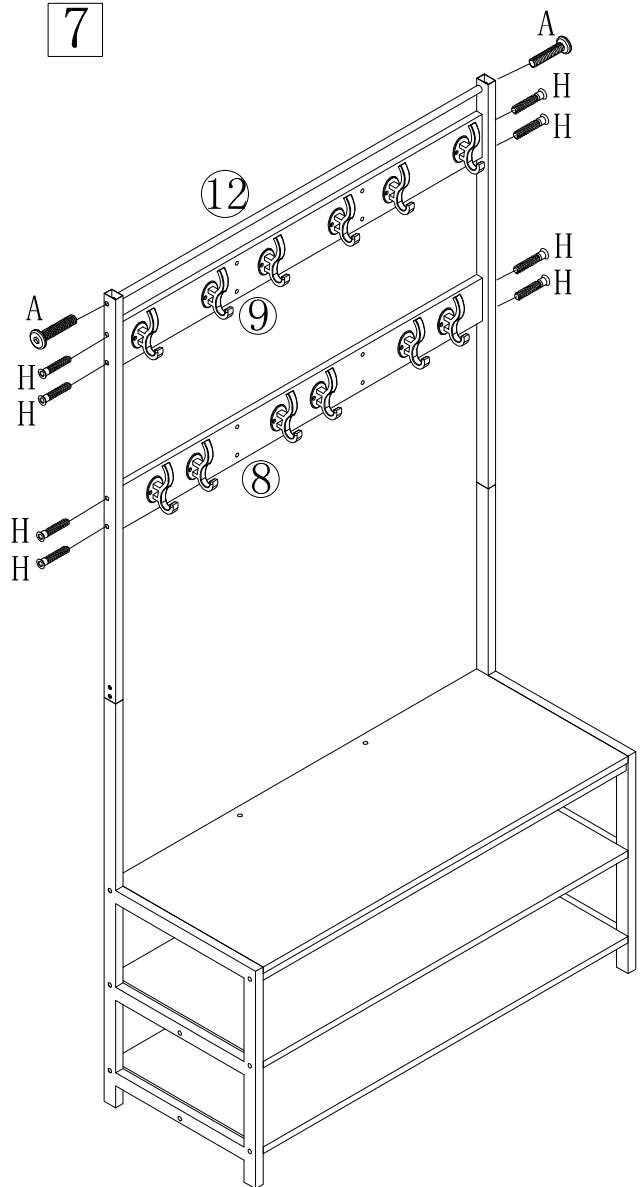
6



F	12PCS
	



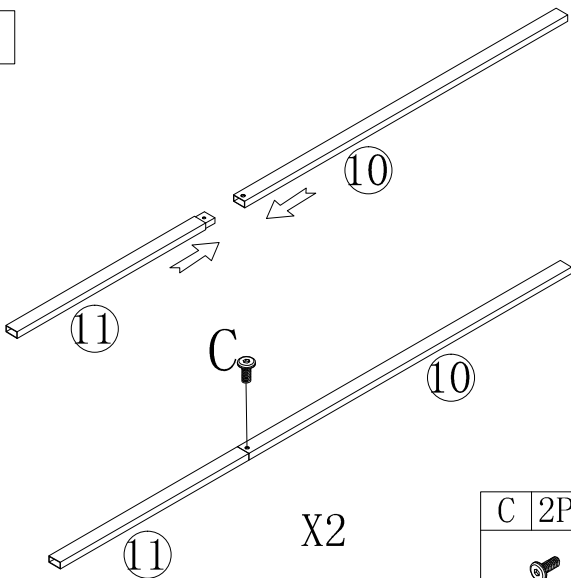
E	24PCS
	
Ø3.5*14mm	


7



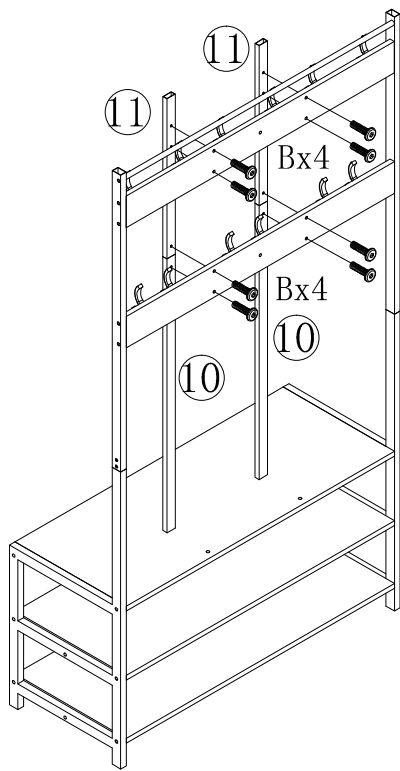
A	2PCS	H	8PCS
			
Ø6*35mm		Ø7*38mm	

8



C	2PCS
	
Ø6*12mm	

9

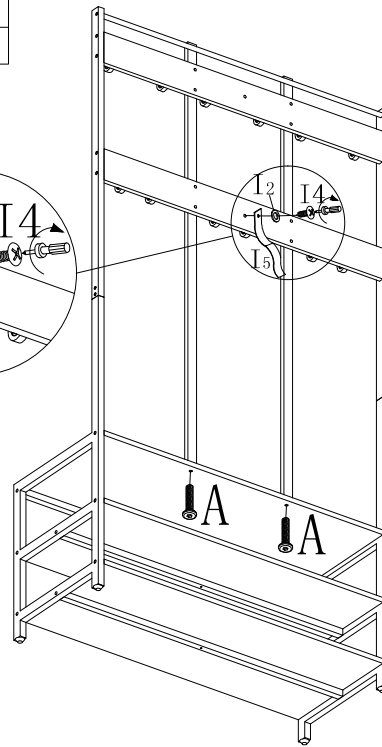
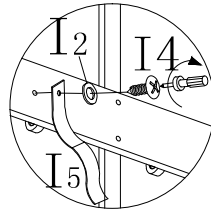


B 8PCS



10

A 2PCS



I2 x1



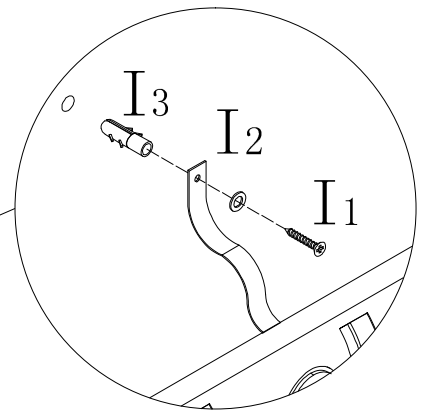
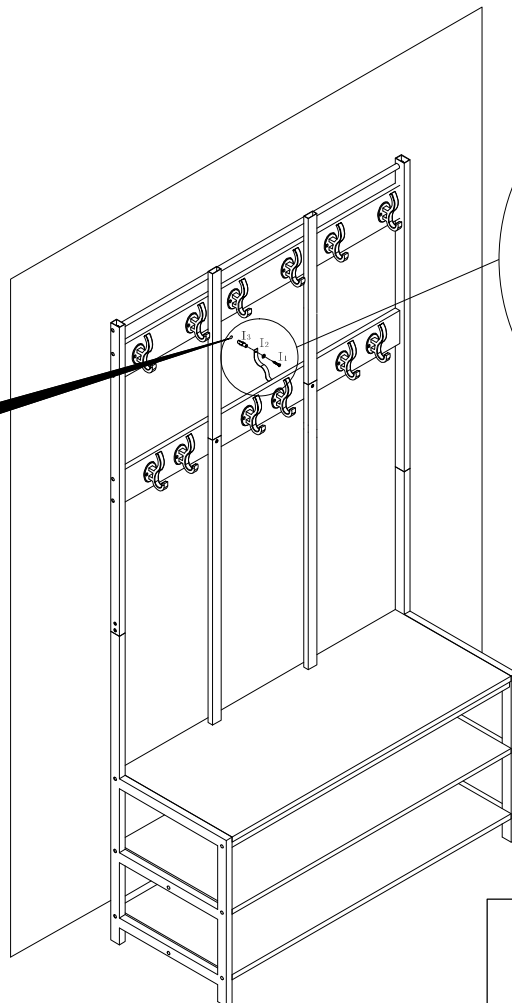
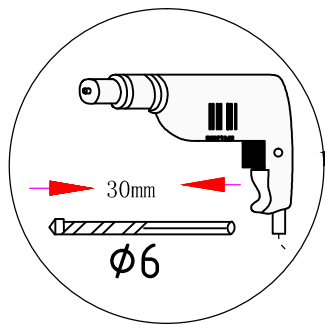
I4 x1



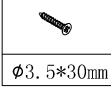
I5 x1



11



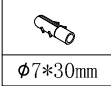
H1 x1



H2 x1

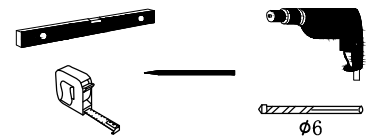


H3 x1



ok

Tools required



US



001-877-644-9366
customerservice@aosom.com

CA



001-855-537-6088
customerservice@aosom.ca

UK



0044-800-240-4004
enquiries@mhstar.co.uk

DE



0049-(0)40-88307530
service@aosom.de

FR



0033-1-84166106
contact@aosom.fr

ES



0034-931294512
atencioncliente@aosom.es

IT



0039-0249471447
clienti@aosom.it