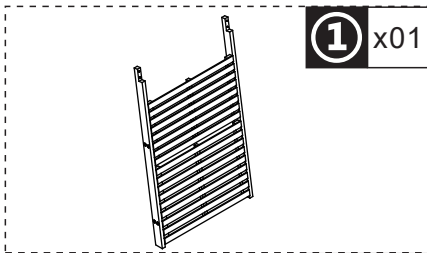


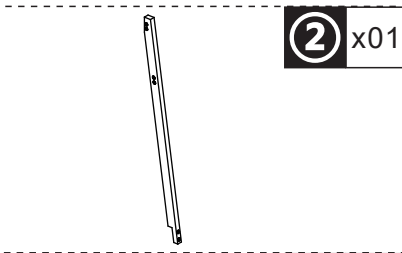
IMPORTANT, RETAIN FOR FUTURE REFERENCE: READ CAREFULLY

# ASSEMBLY & INSTRUCTION MANUAL

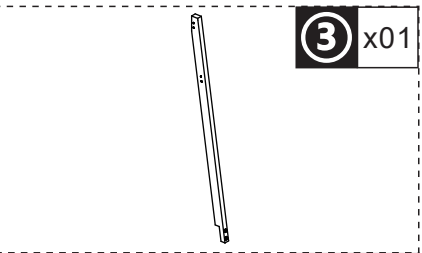
**PARTS**



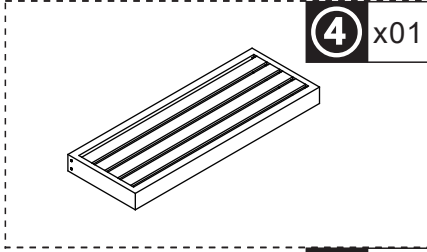
**1** x01



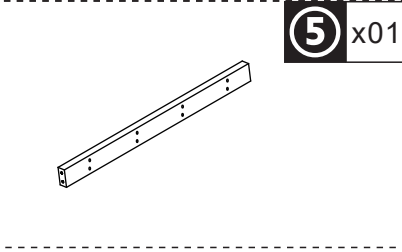
**2** x01



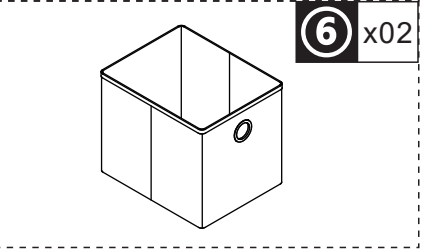
**3** x01



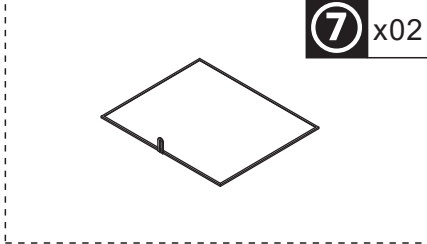
**4** x01



**5** x01

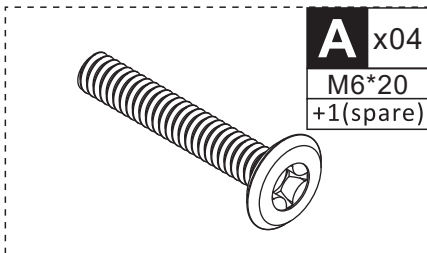


**6** x02

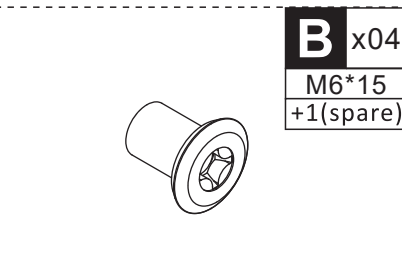


**7** x02

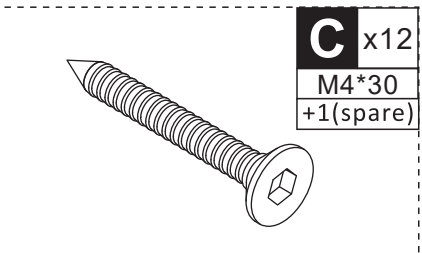
**HARDWARE**



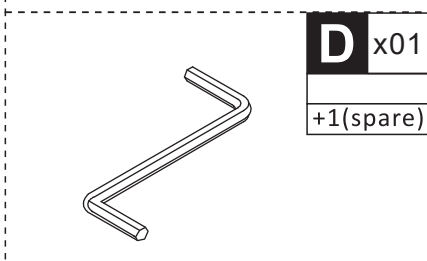
**A** x04  
M6\*20  
+1(spare)



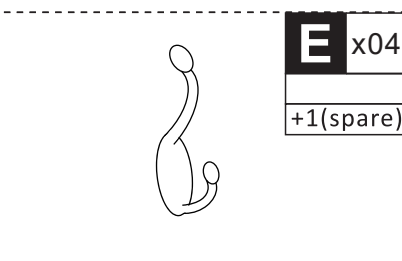
**B** x04  
M6\*15  
+1(spare)



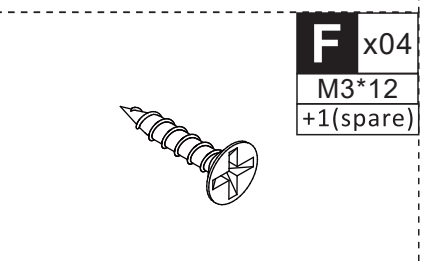
**C** x12  
M4\*30  
+1(spare)



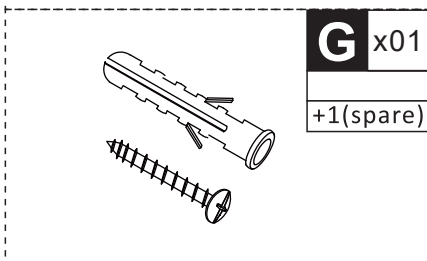
**D** x01  
+1(spare)



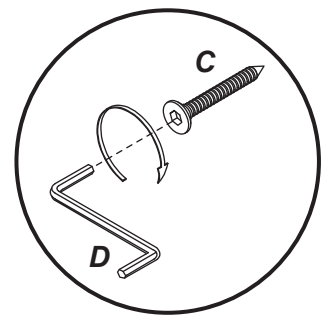
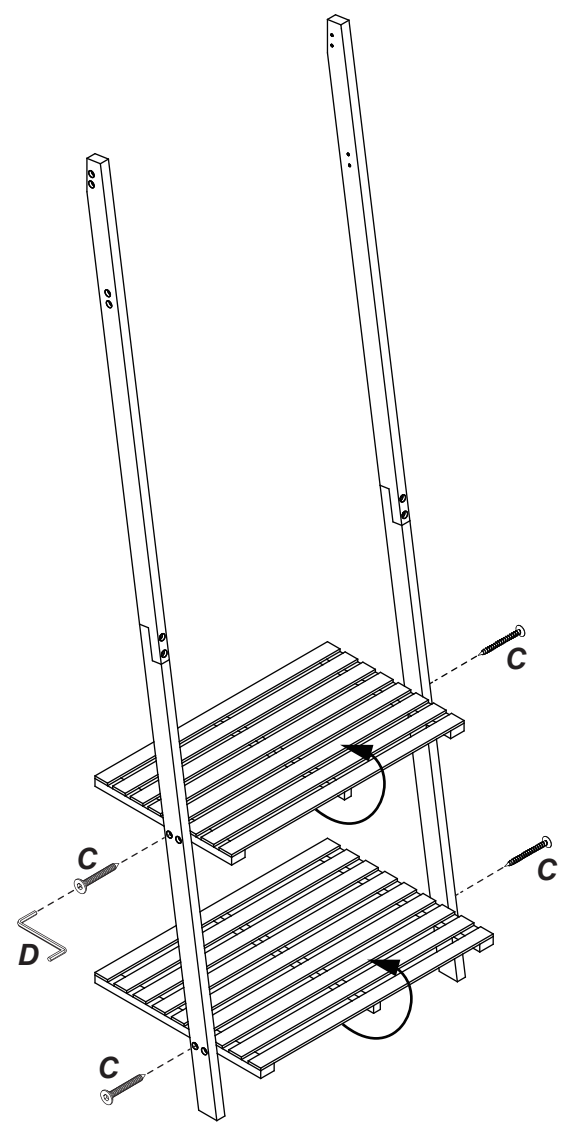
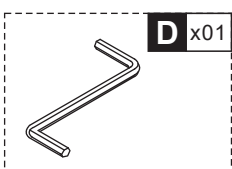
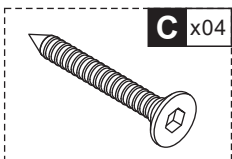
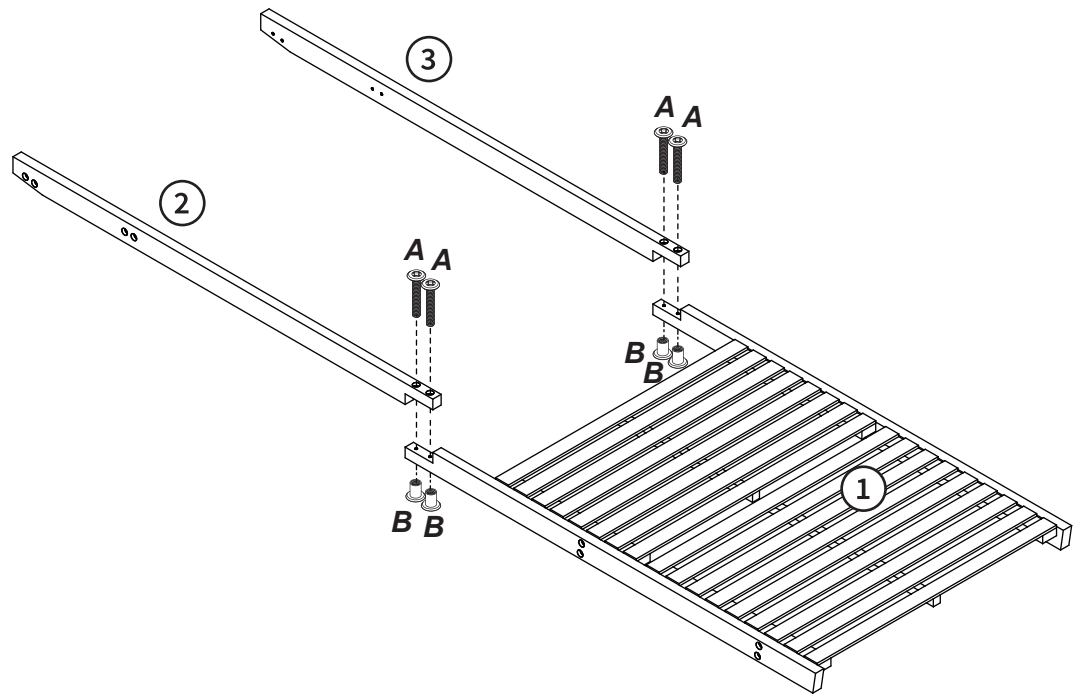
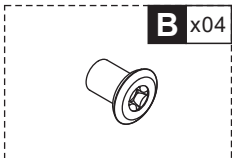
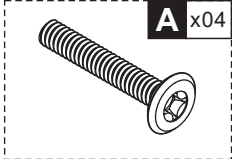
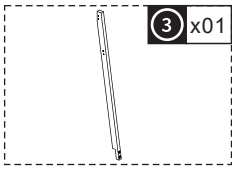
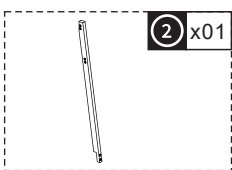
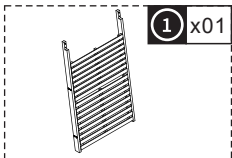
**E** x04  
+1(spare)

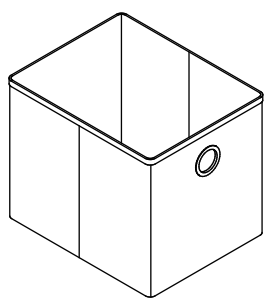
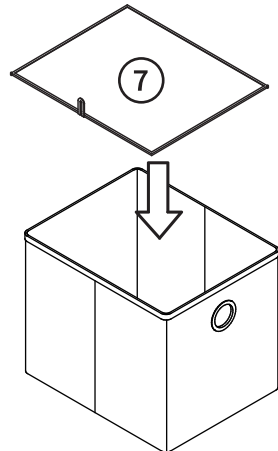
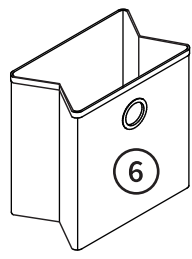
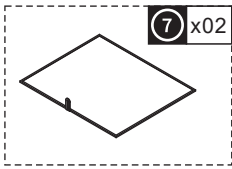
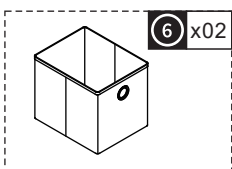
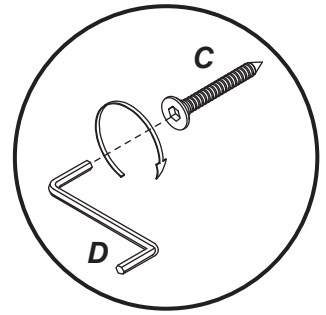
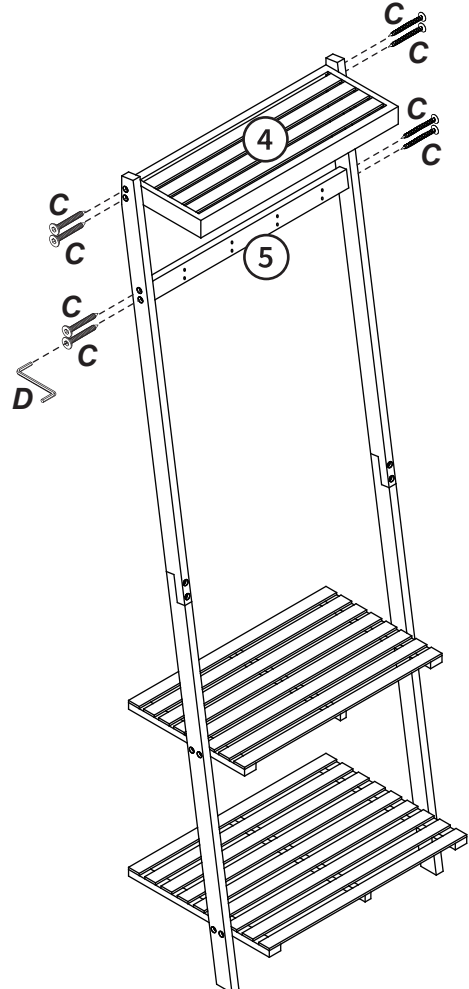
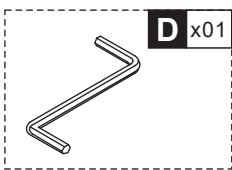
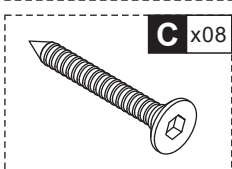
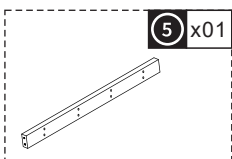
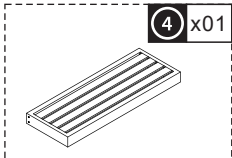


**F** x04  
M3\*12  
+1(spare)

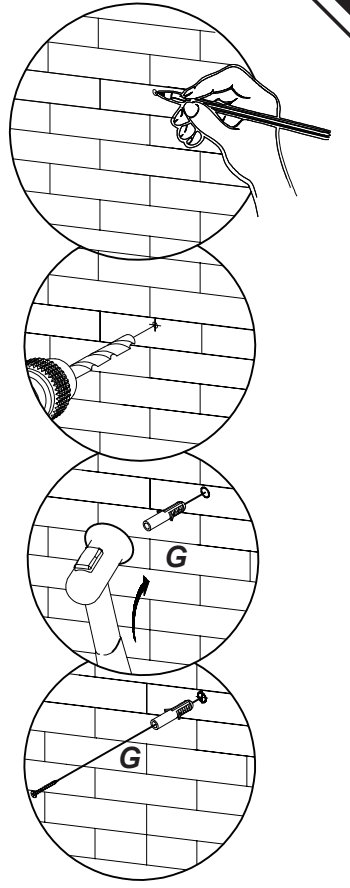
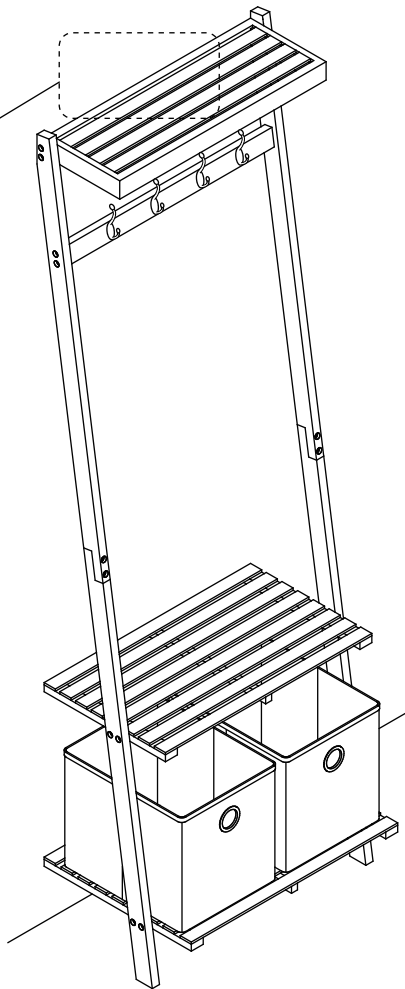
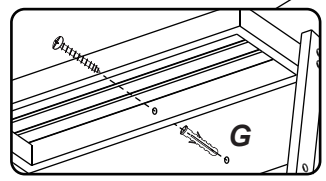
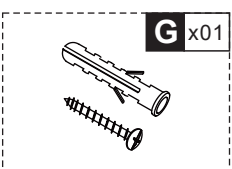
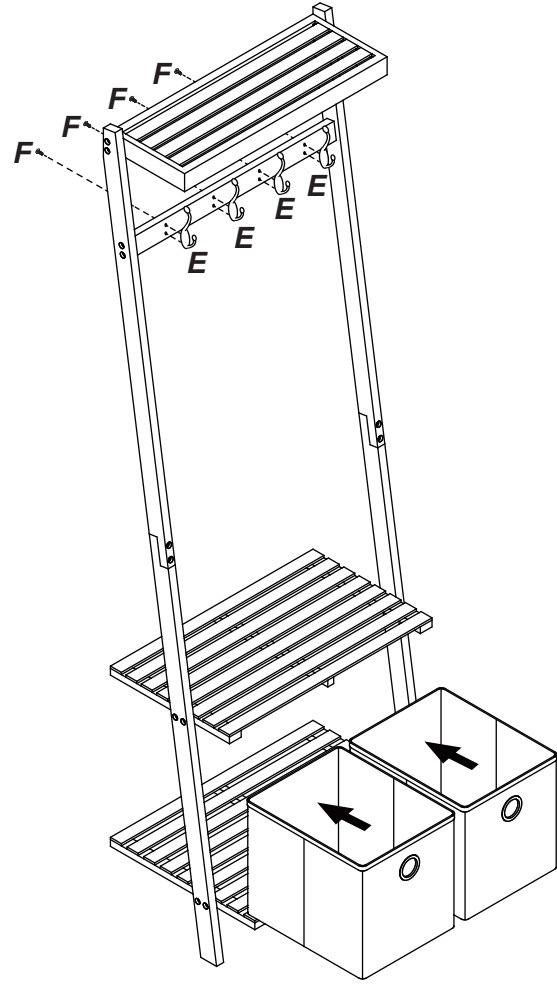
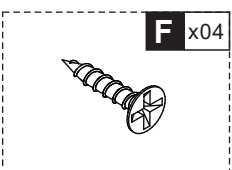
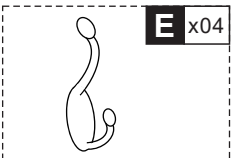


**G** x01  
+1(spare)





x2



Done