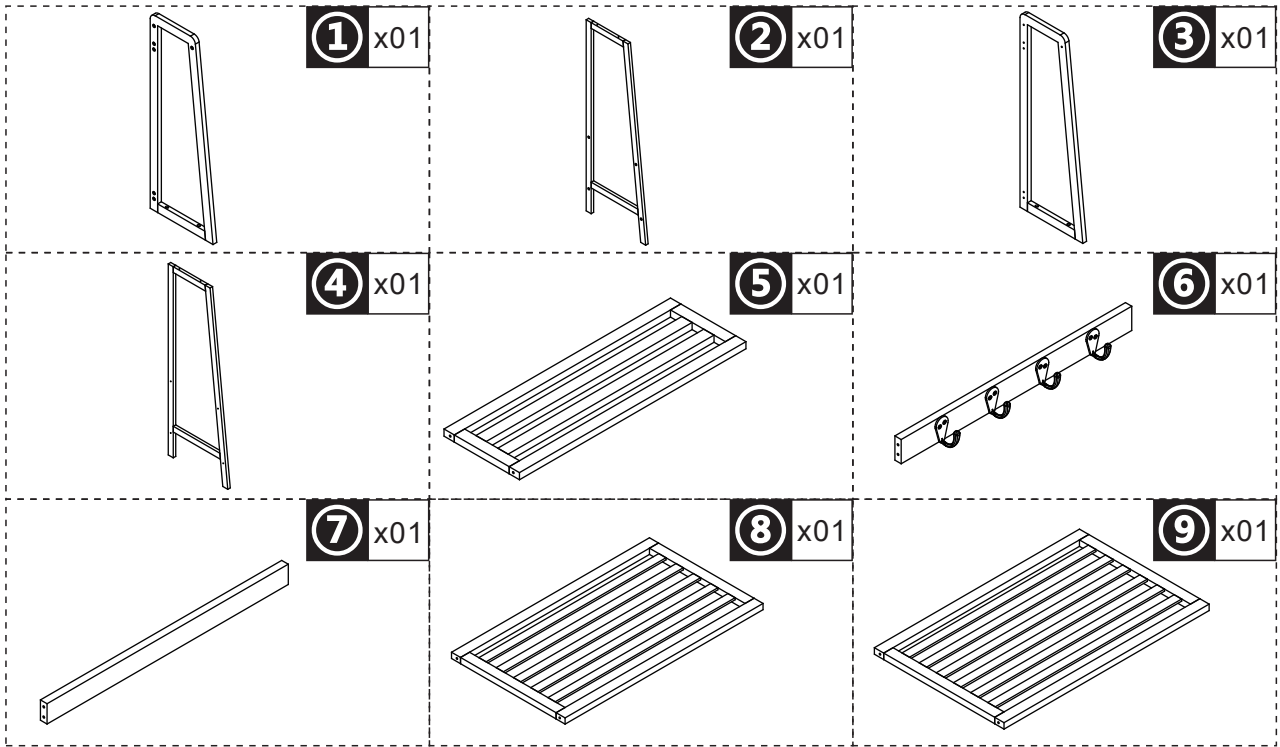


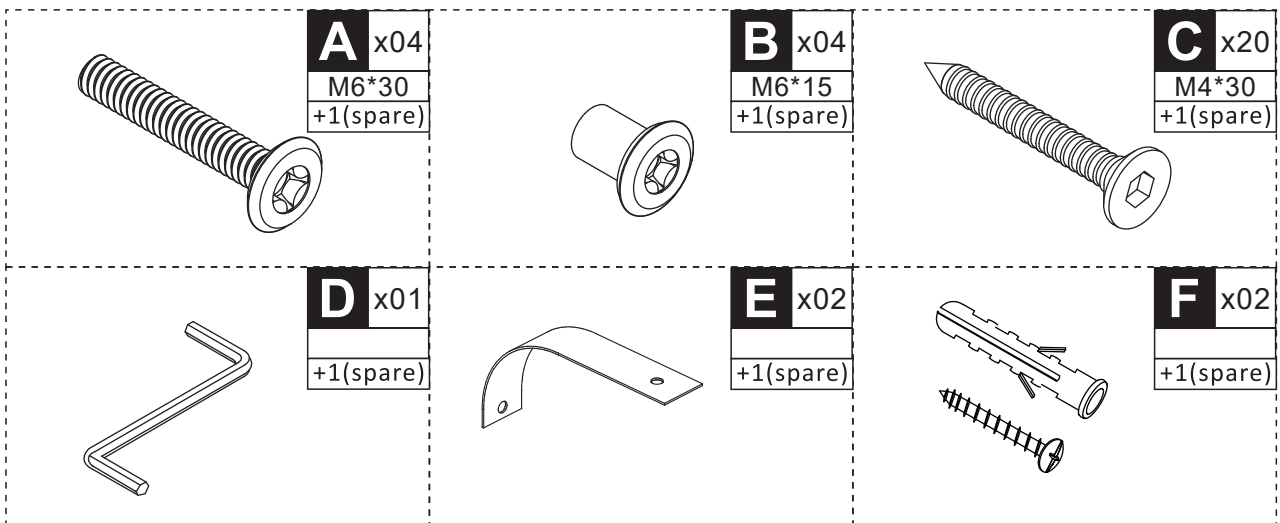
IMPORTANT, RETAIN FOR FUTURE REFERENCE: READ CAREFULLY

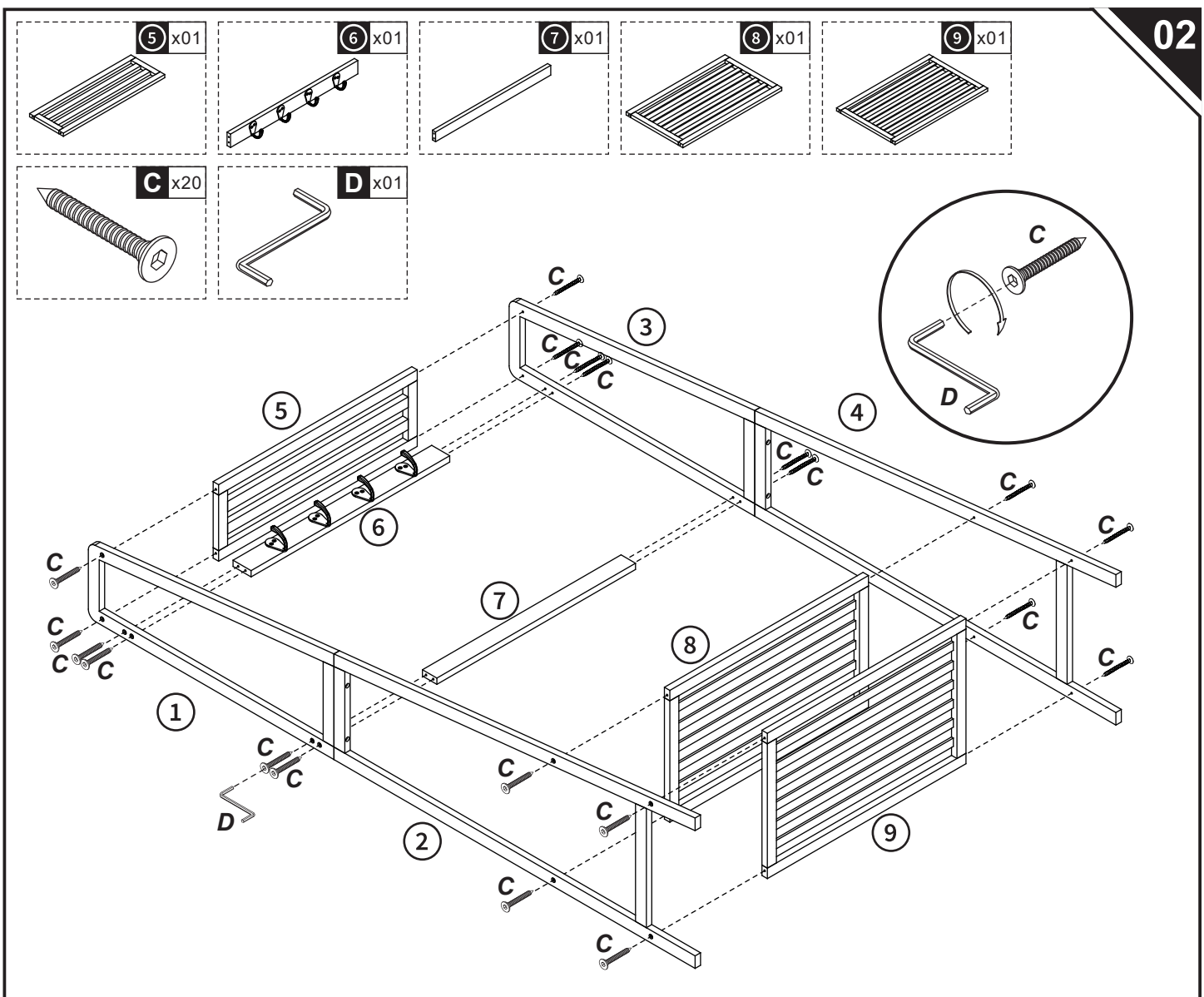
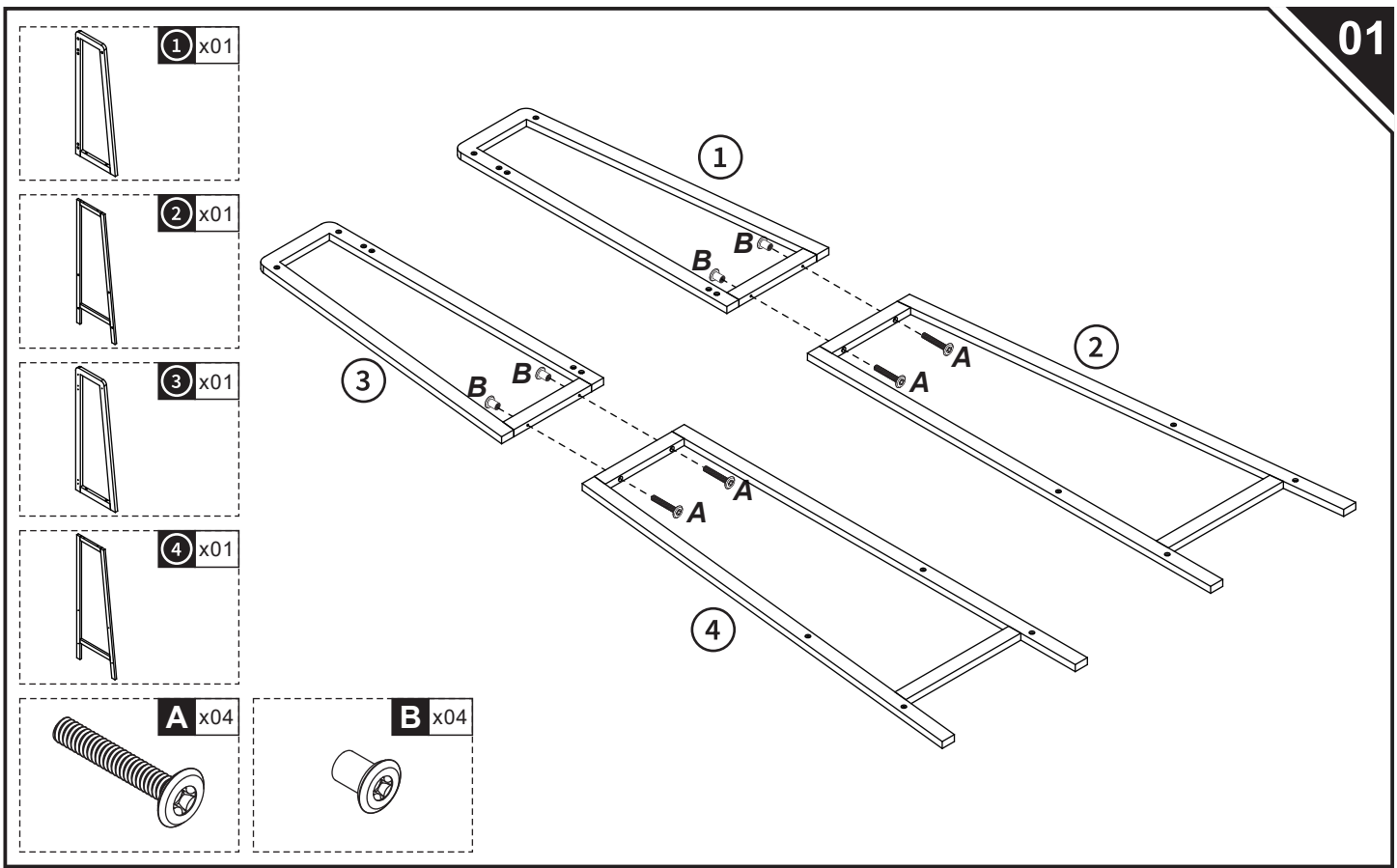
ASSEMBLY & INSTRUCTION MANUAL

PARTS

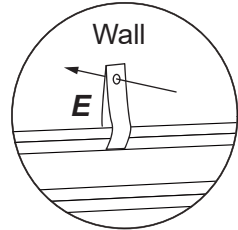
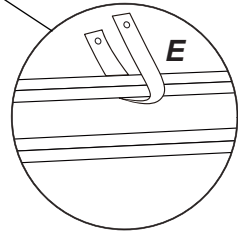
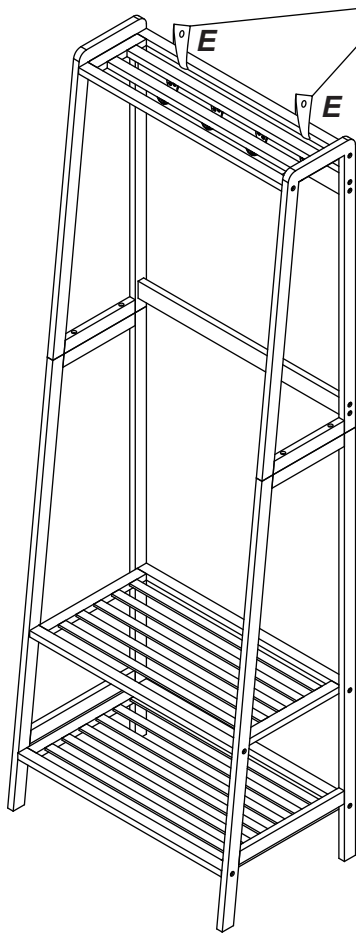


HARDWARE

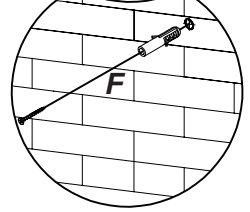
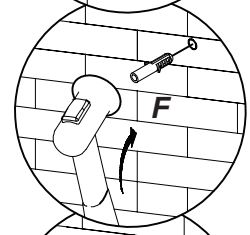
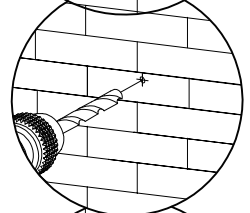
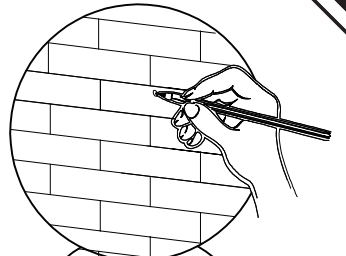
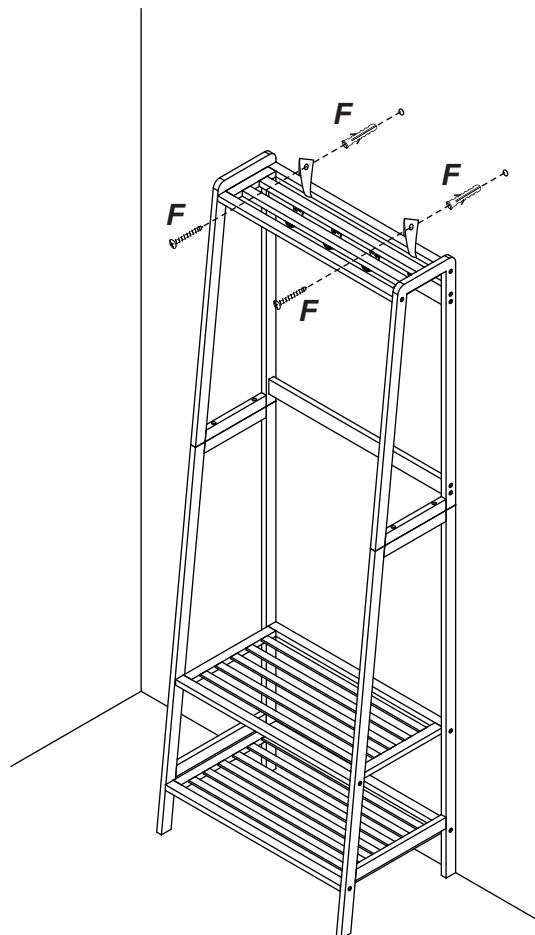
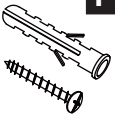




E x02



F x02



Done