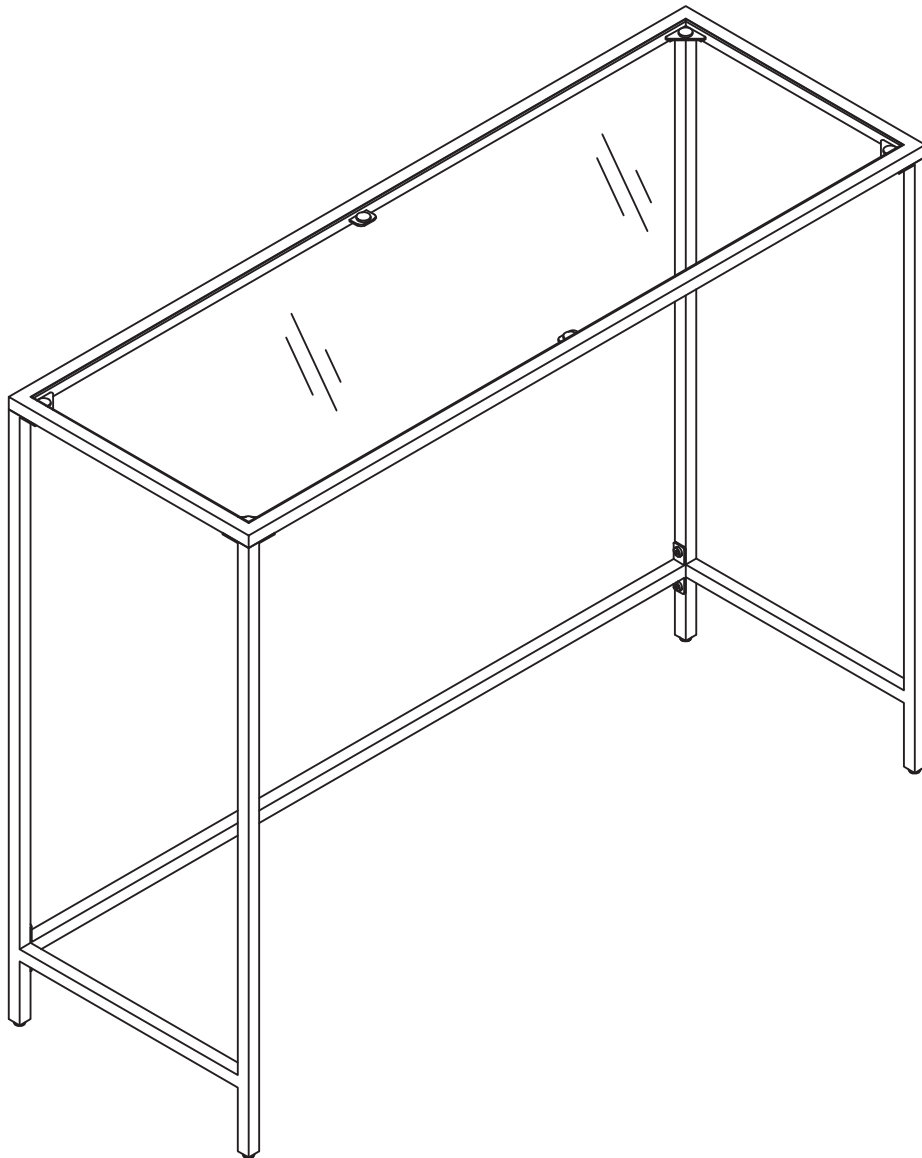




INctf002\_US\_CA\_UK\_ES\_DE\_IT

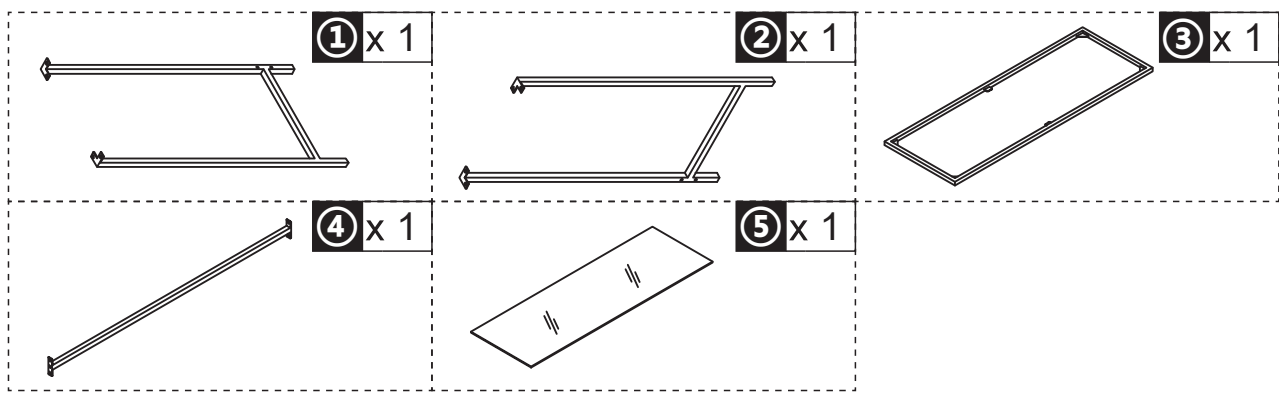
**837-205**



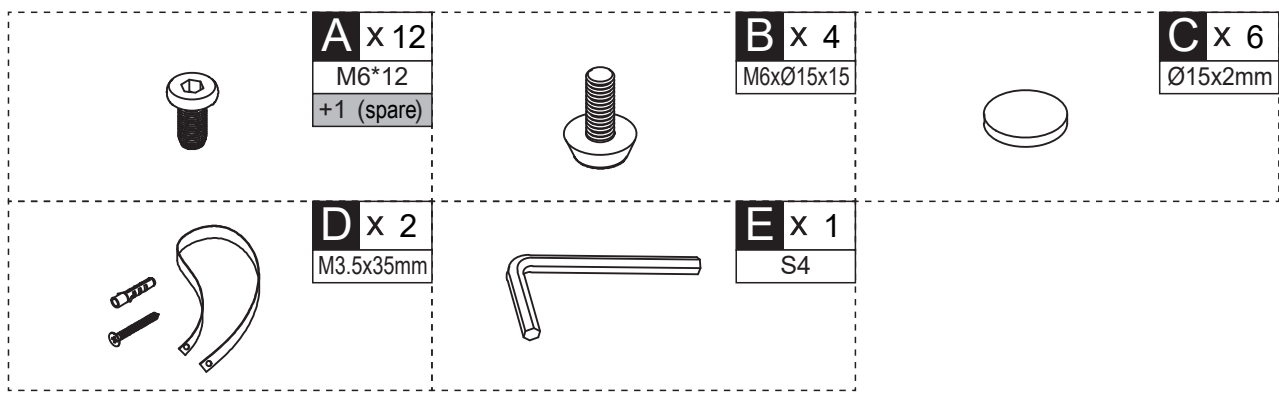
IMPORTANT, RETAIN FOR FUTURE REFERENCE: READ CAREFULLY

# ASSEMBLY INSTRUCTION

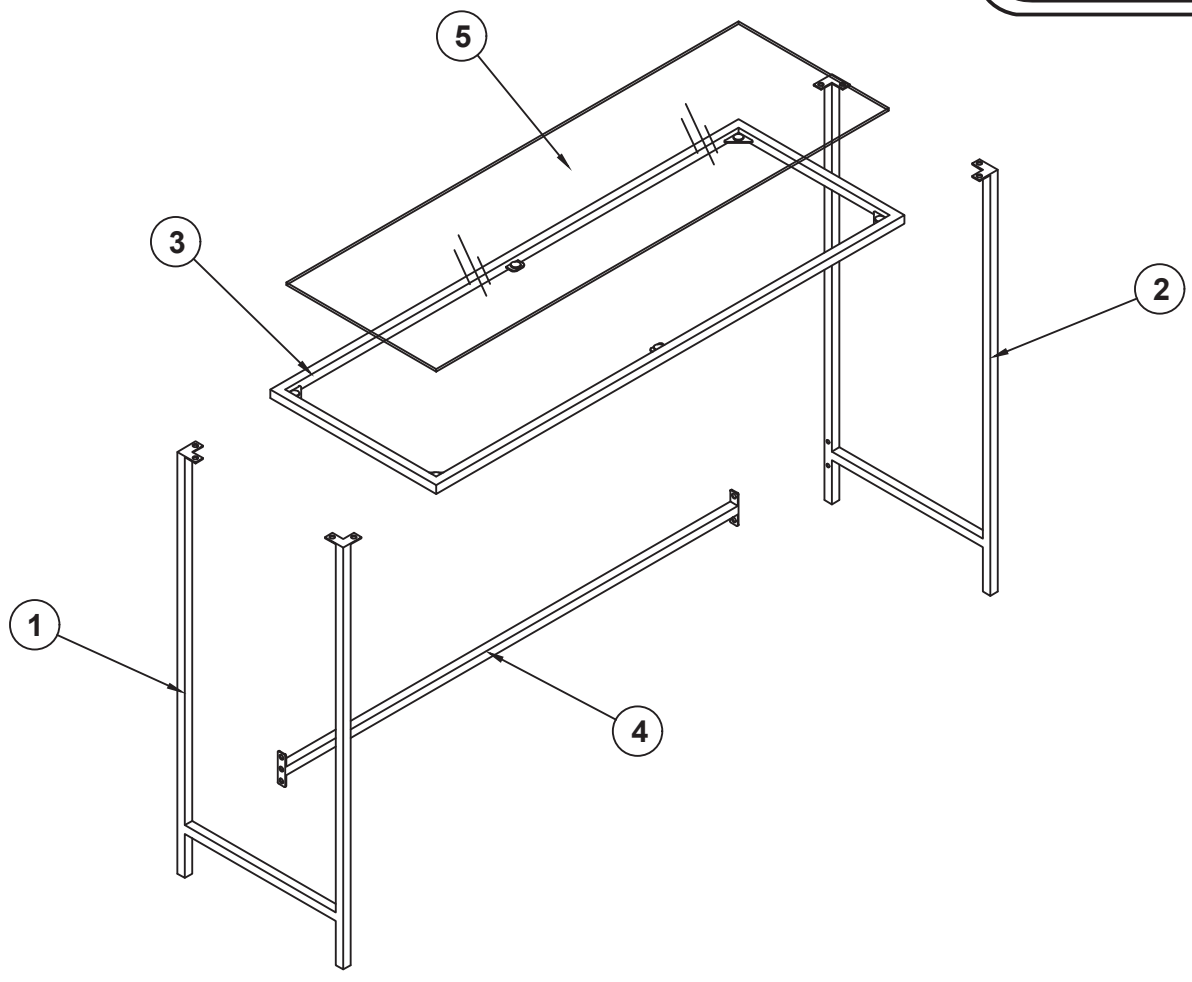
**PARTS**



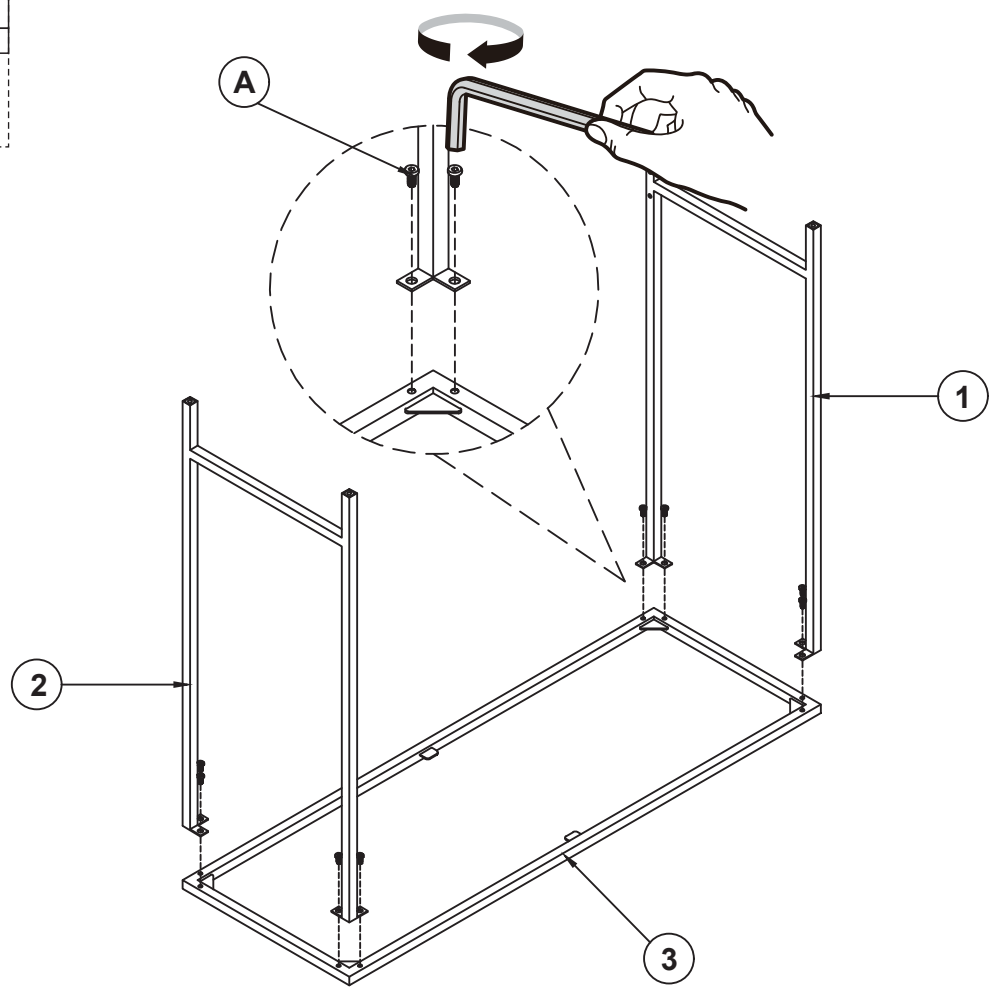
**HARDWARE**



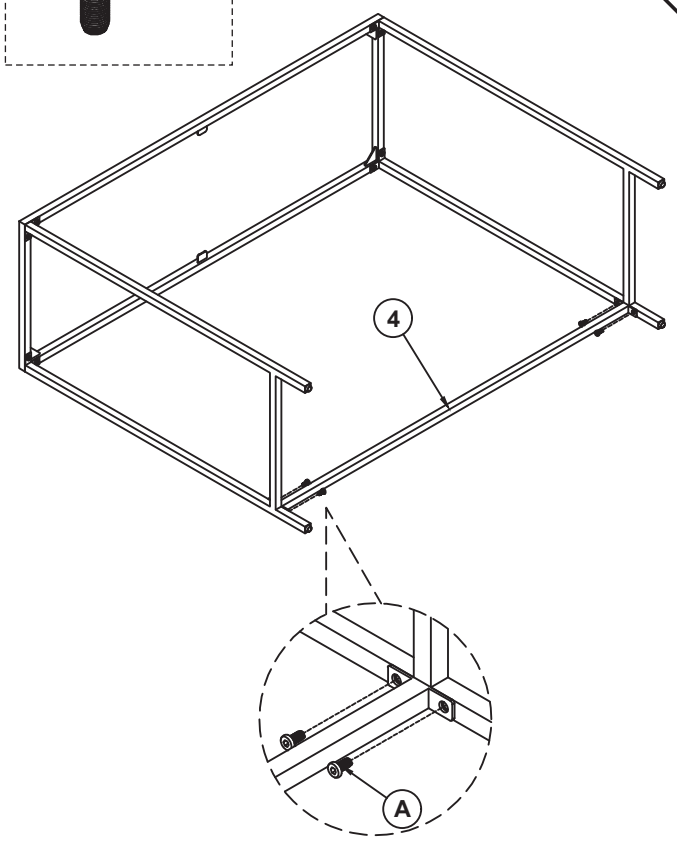
**EXPLOSION FIGURE**



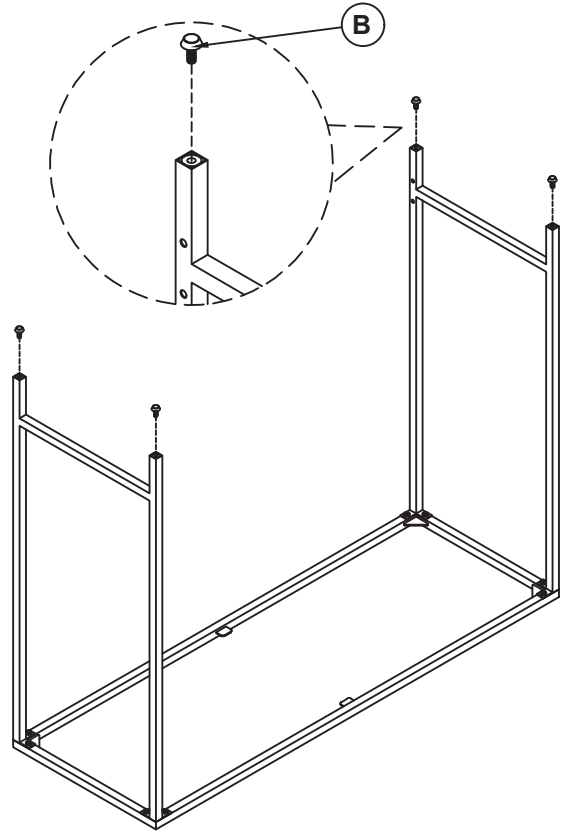
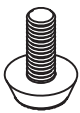
A x 8  
M6\*12



A x 4  
M6\*12



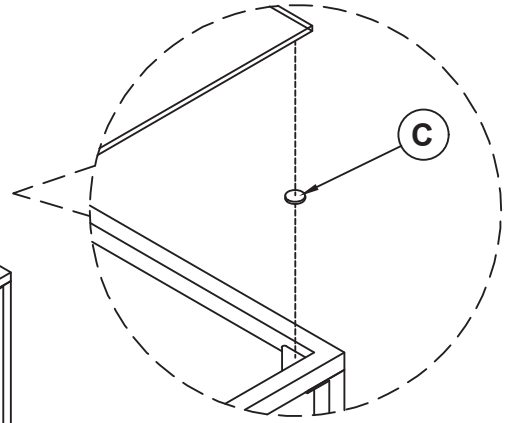
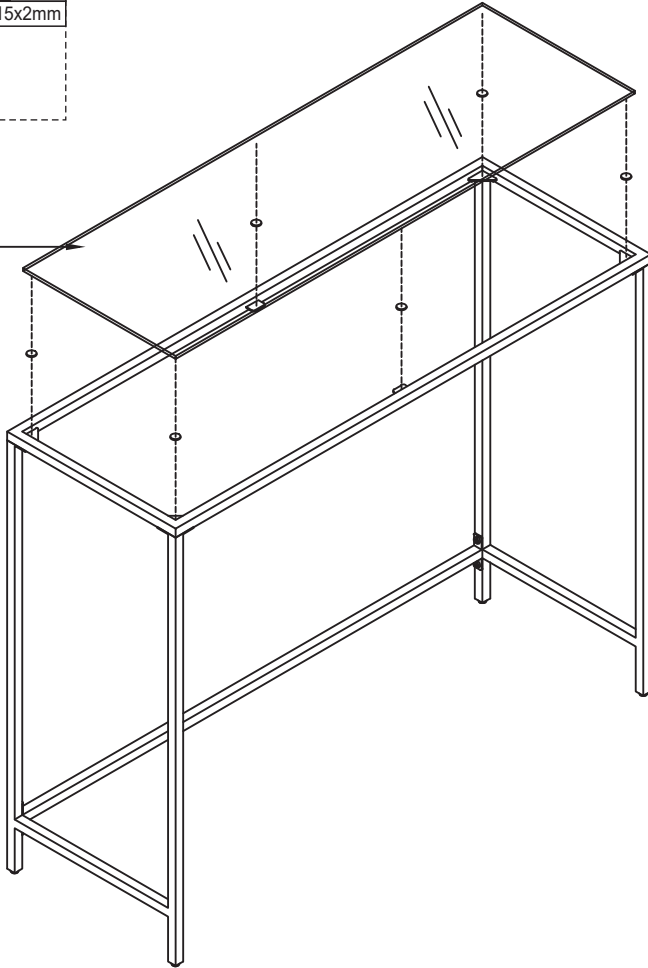
B x 4  
M6xØ15x15



**C** x 6  
Ø15x2mm



5



C

**D** x 2  
M3.5x35mm



D

