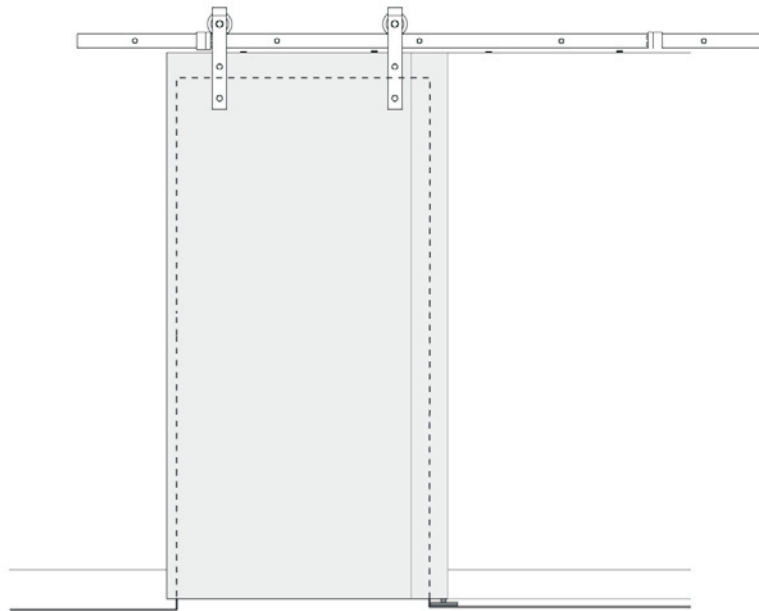




# Assembly Instructions

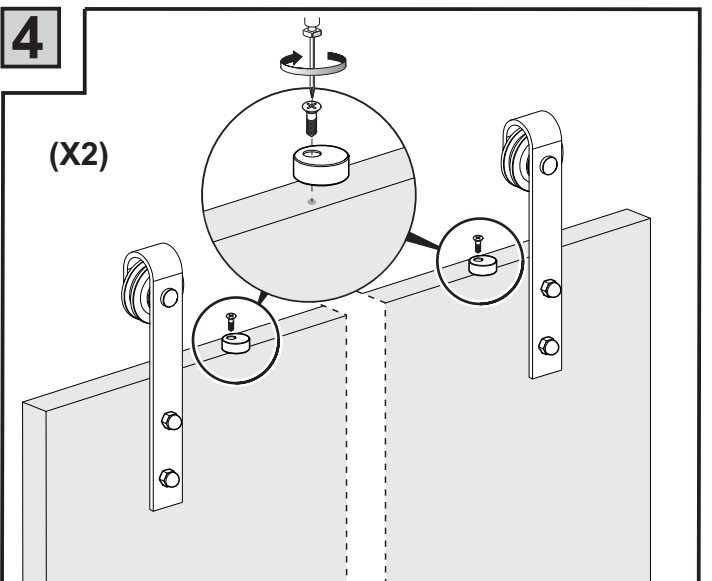
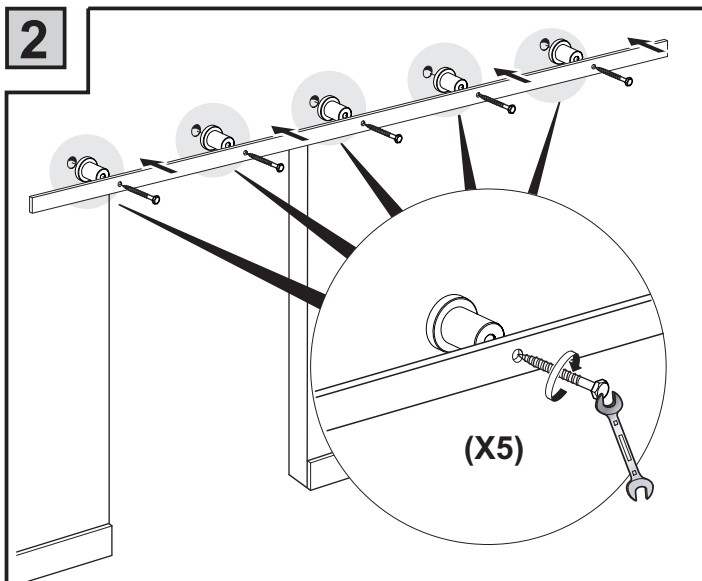
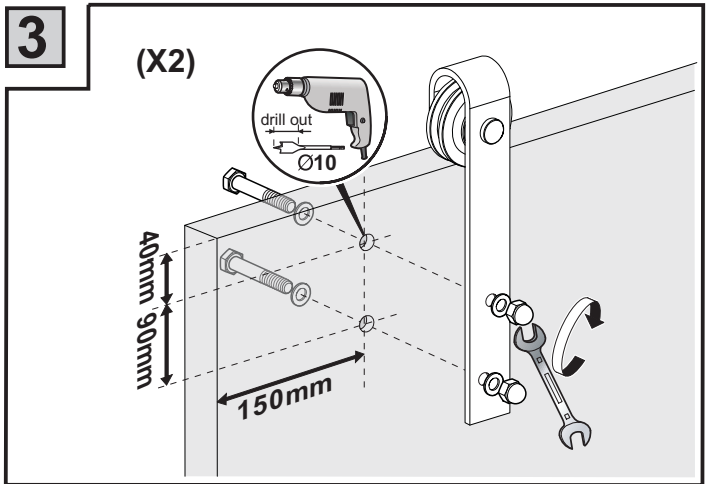
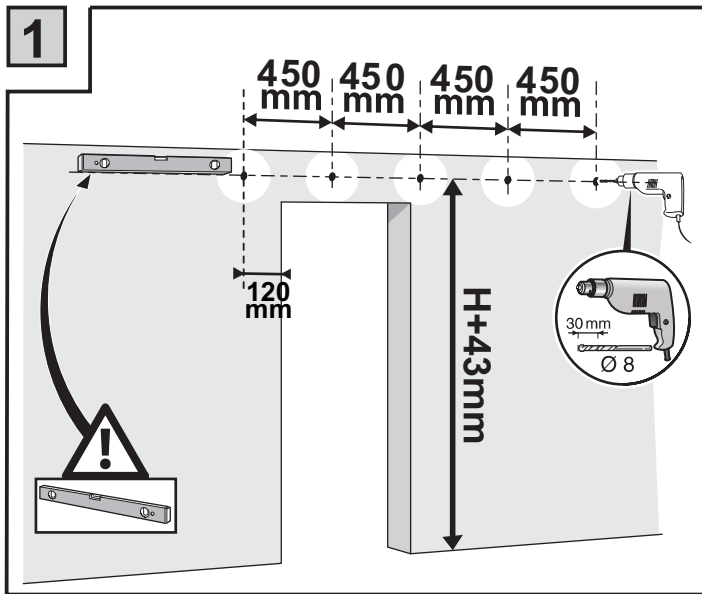
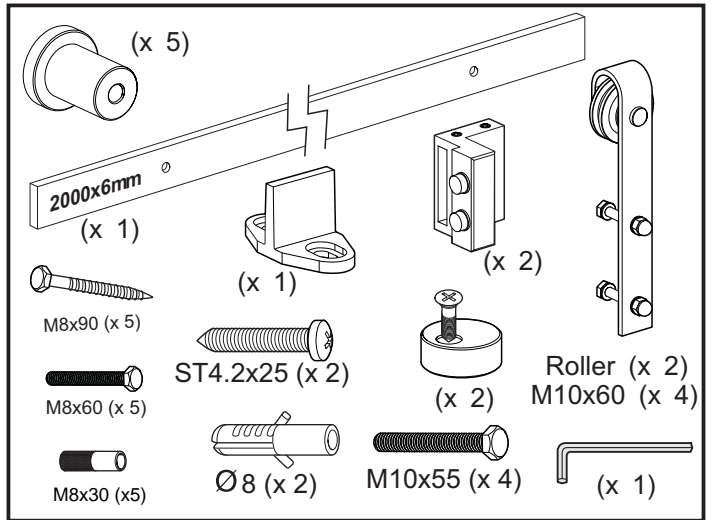
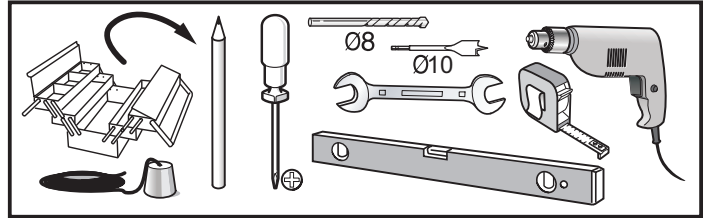
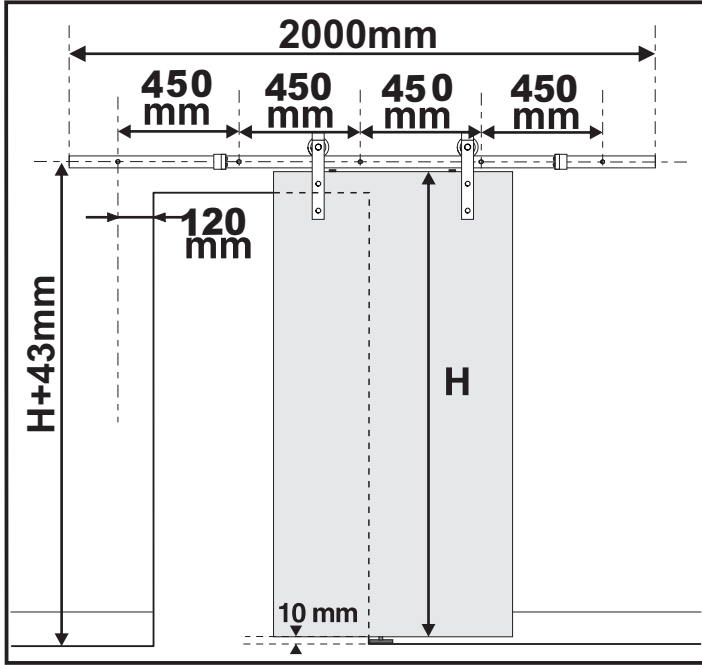


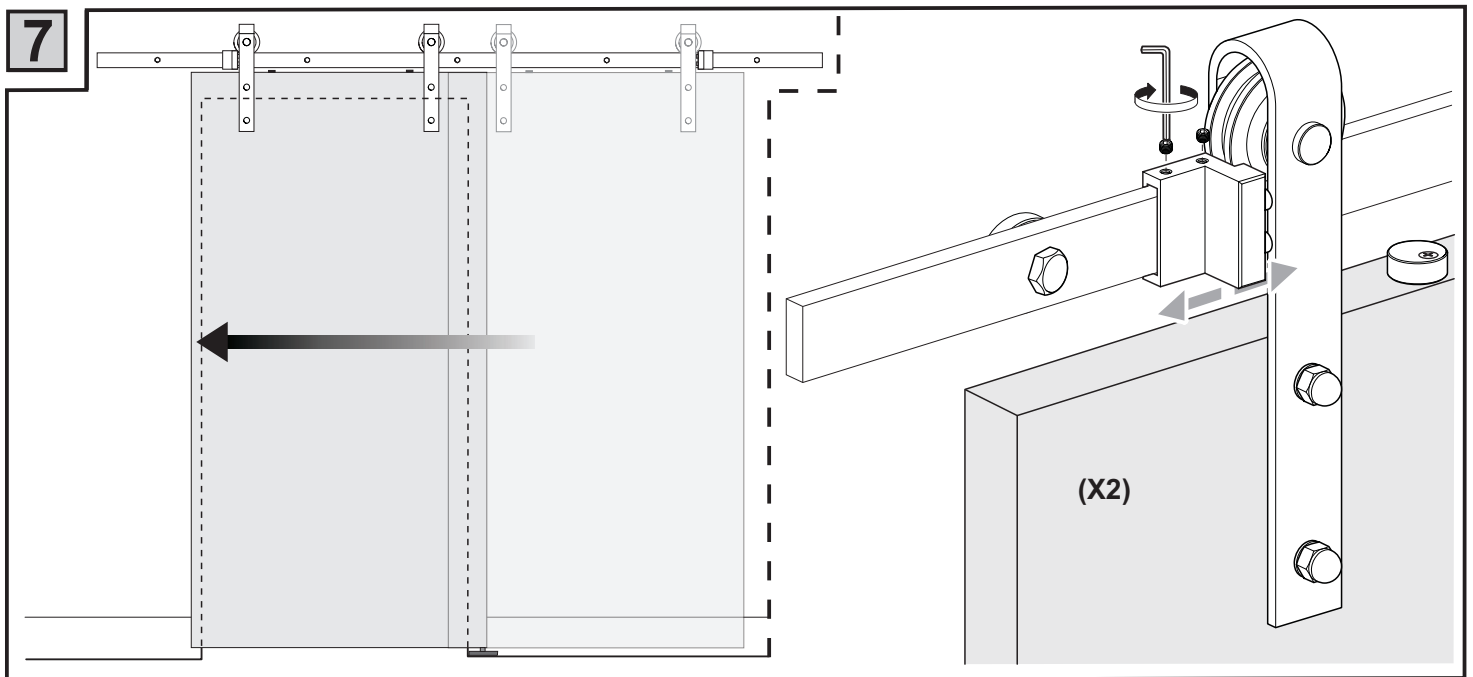
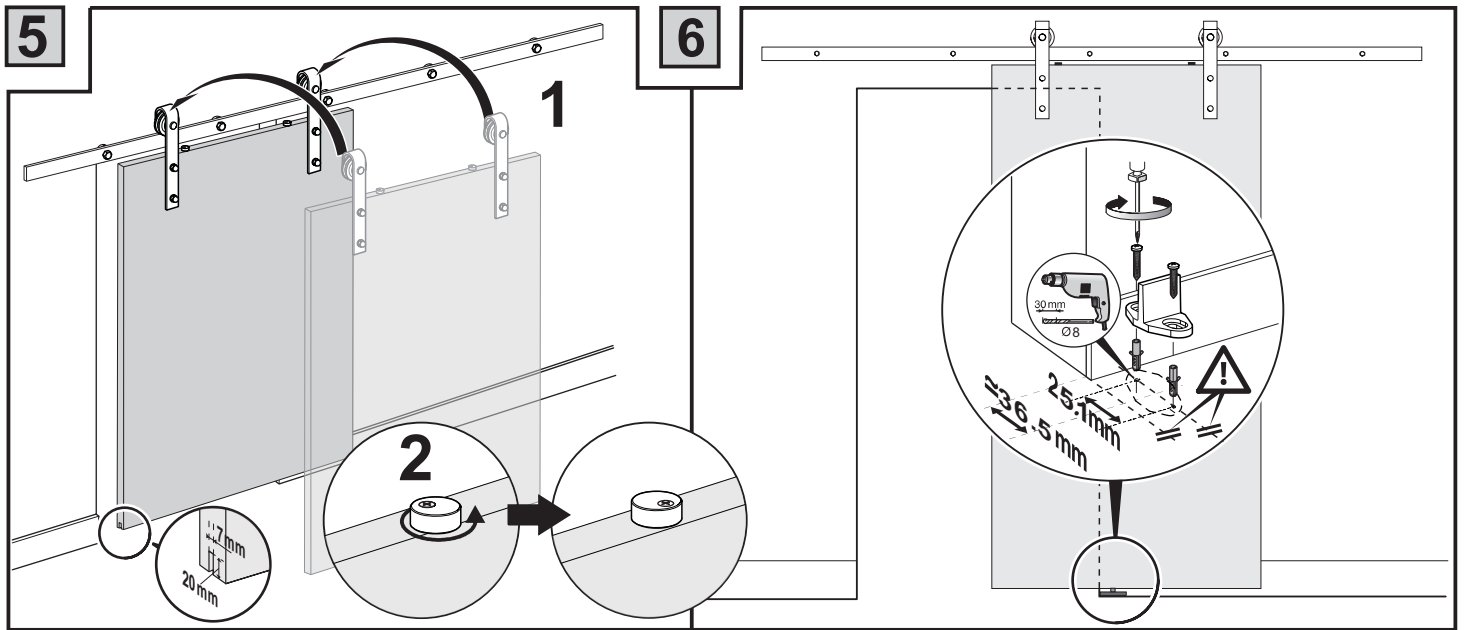
## Carbon steel Sliding Barn Door Hardware (for 35-45mm thickness wooden door) E7-0007

### IMPORTANT READ CAREFULLY

1. Please check that all parts are present before you start the assembly of your barn door.
2. For the protection of your furniture, place all parts on a clean and smooth surface to prevent any damage.
3. Accommodate wood door thickness up to 35 -45mm. For door thickness 35 -40mm, please use screws M10 X55, for door thickness 40-45mm, please use screws M10 X60.

# Installation Manual





2000=78.74"
450=17.72"
100=3.94"
43=1.69"
40=1.57"
90=3.54"
150=5.91"