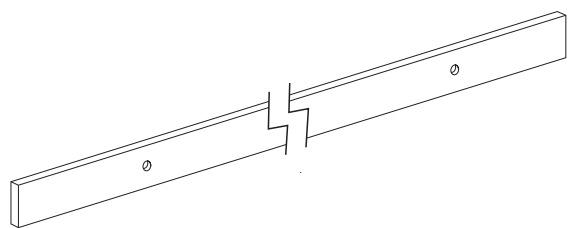


IMPORTANT, RETAIN FOR FUTURE REFERENCE: READ CAREFULLY

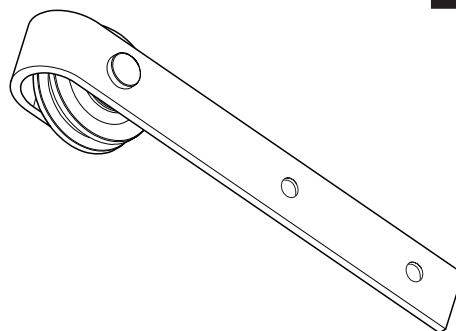
Tools Recommended

ASSEMBLY & INSTRUCTION MANUAL

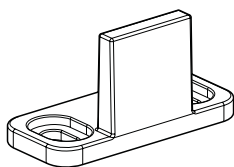
A x 2



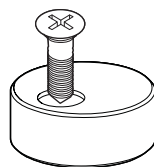
B x 2



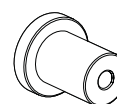
C x 1



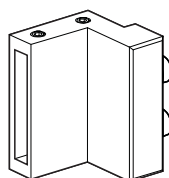
D x 2



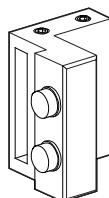
E x 5



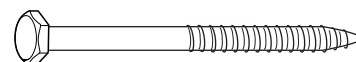
F x 1



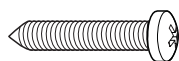
G x 1



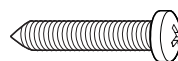
H x 5
M6*60



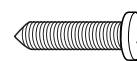
I x 4
M4.2*25



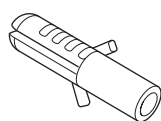
J x 2
M4.2*25



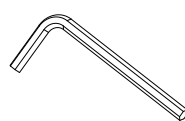
K x 4
M4.2*20



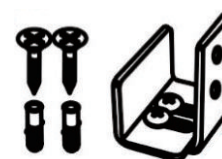
L x 2

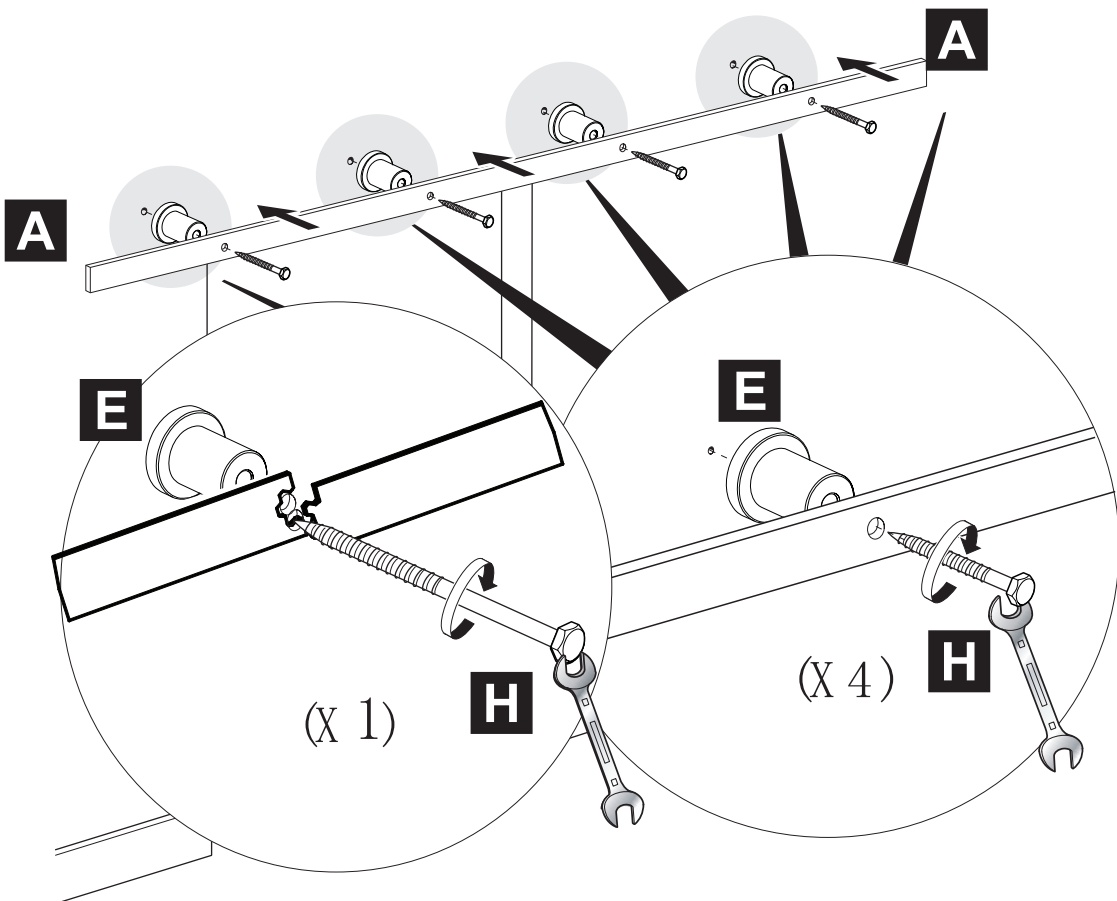
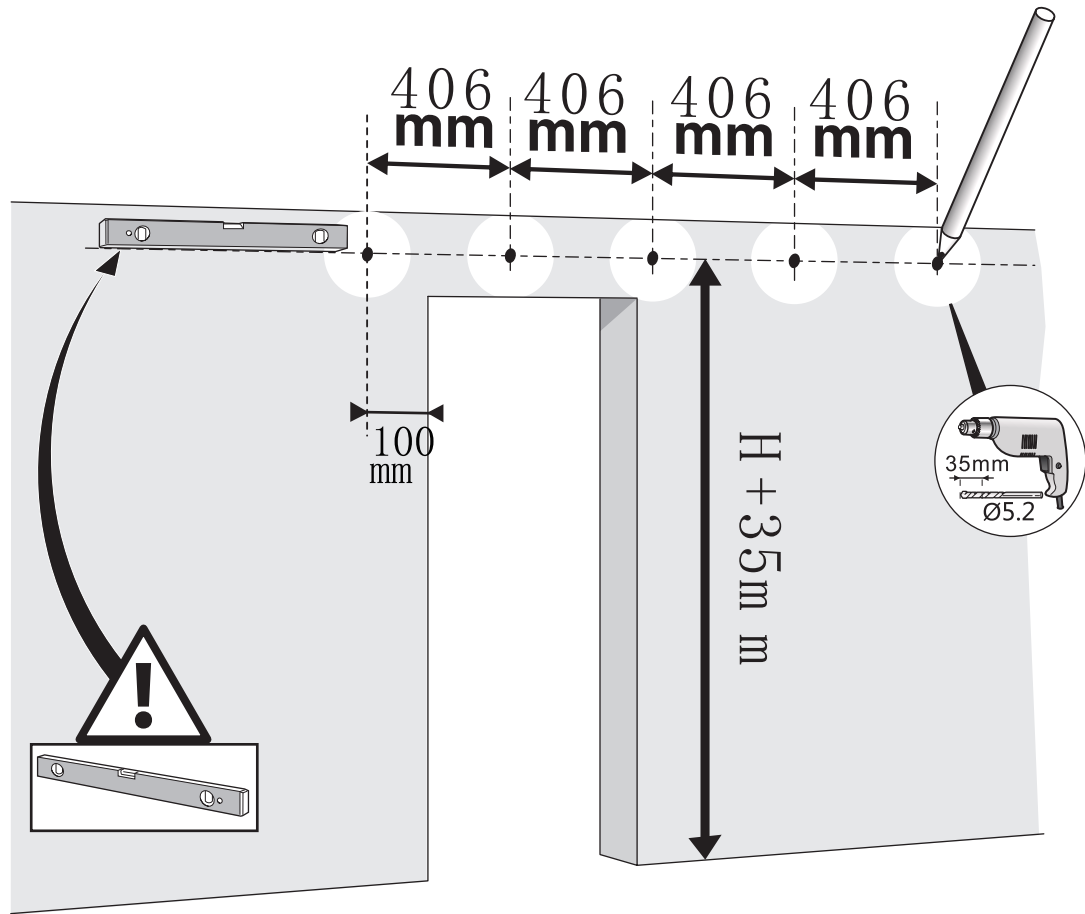


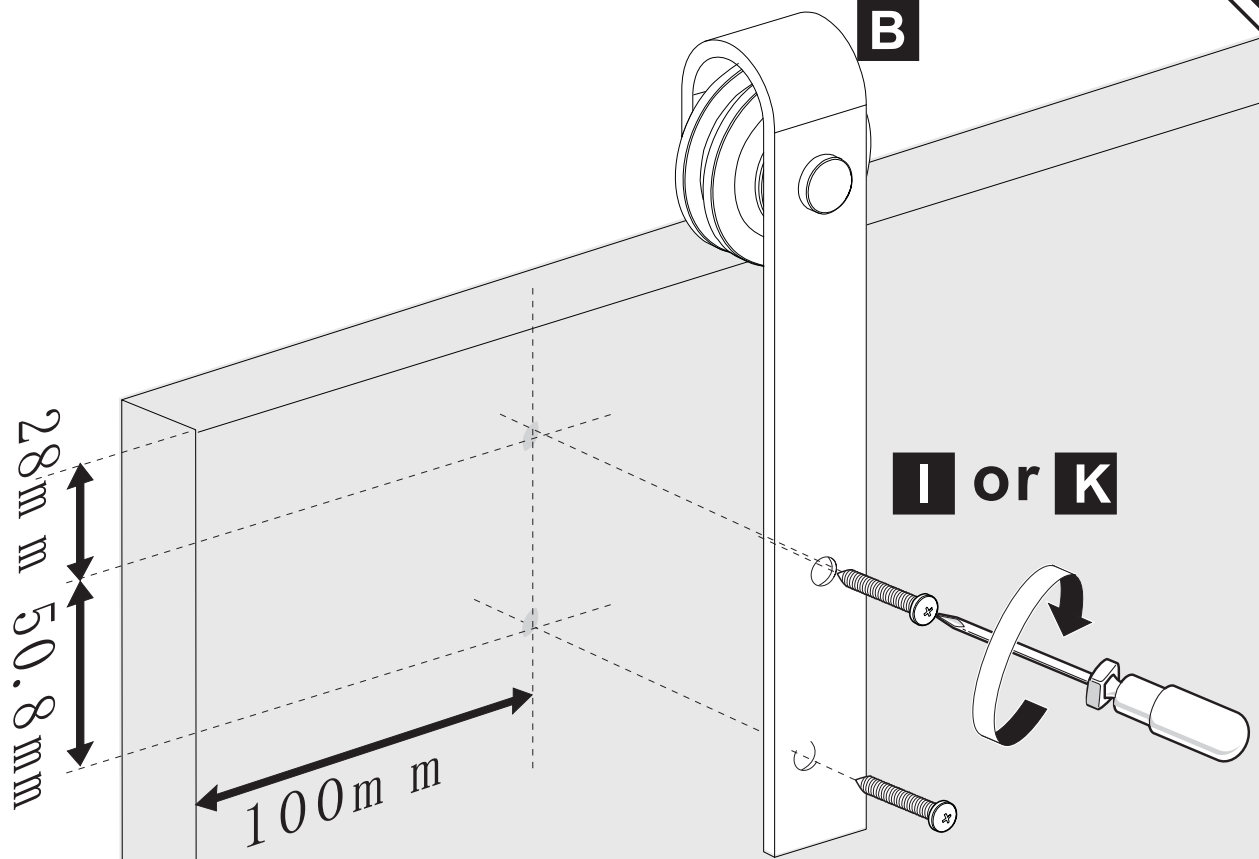
M x 1



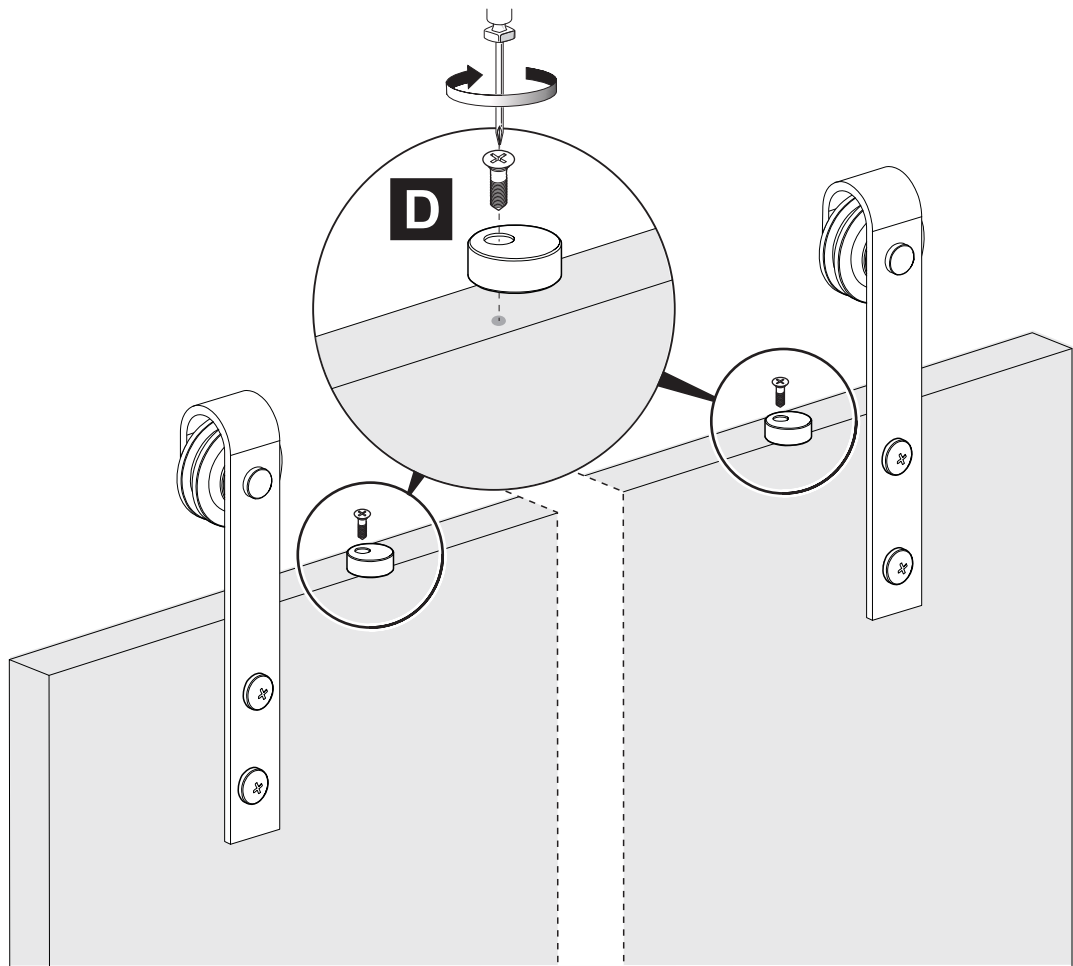
N x 1



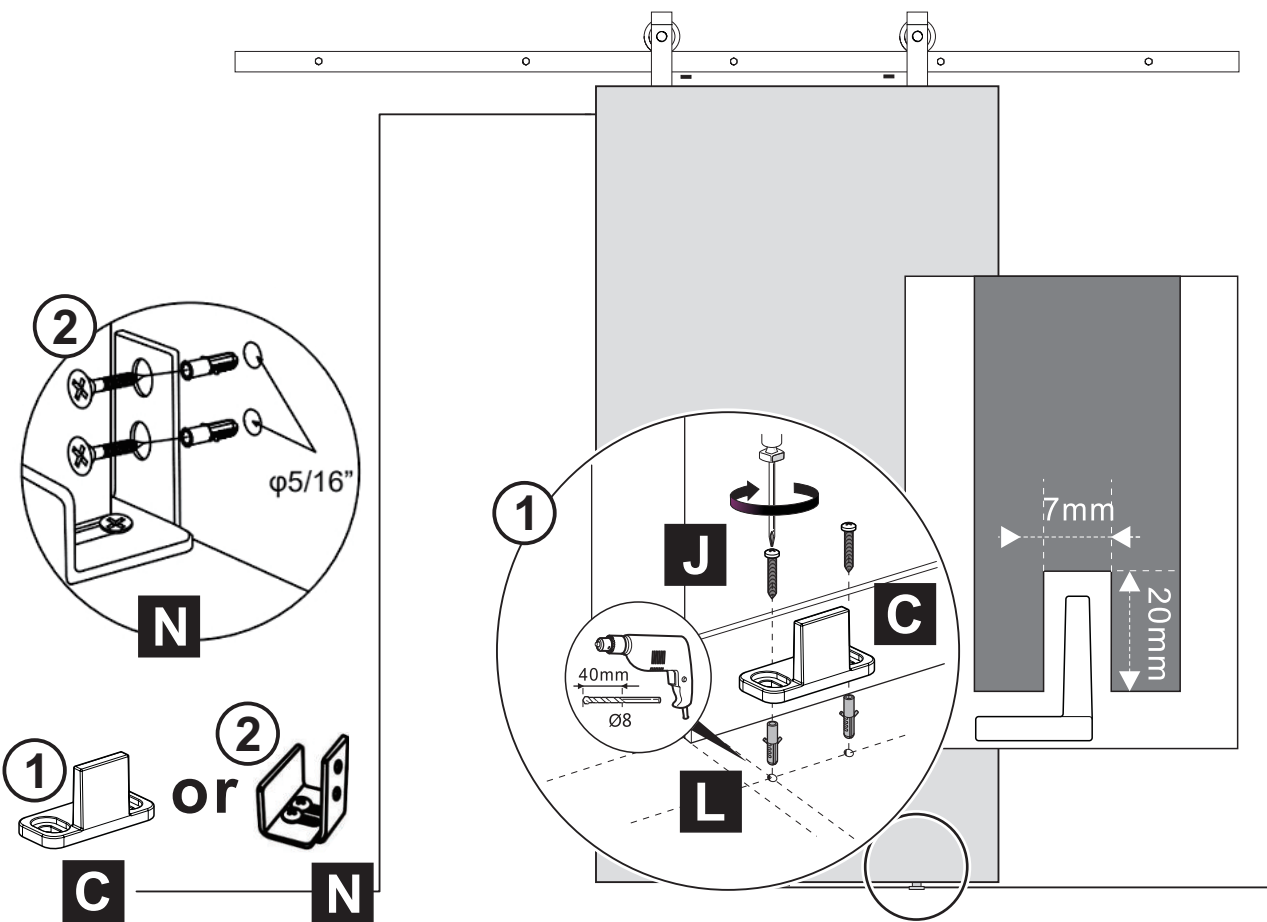
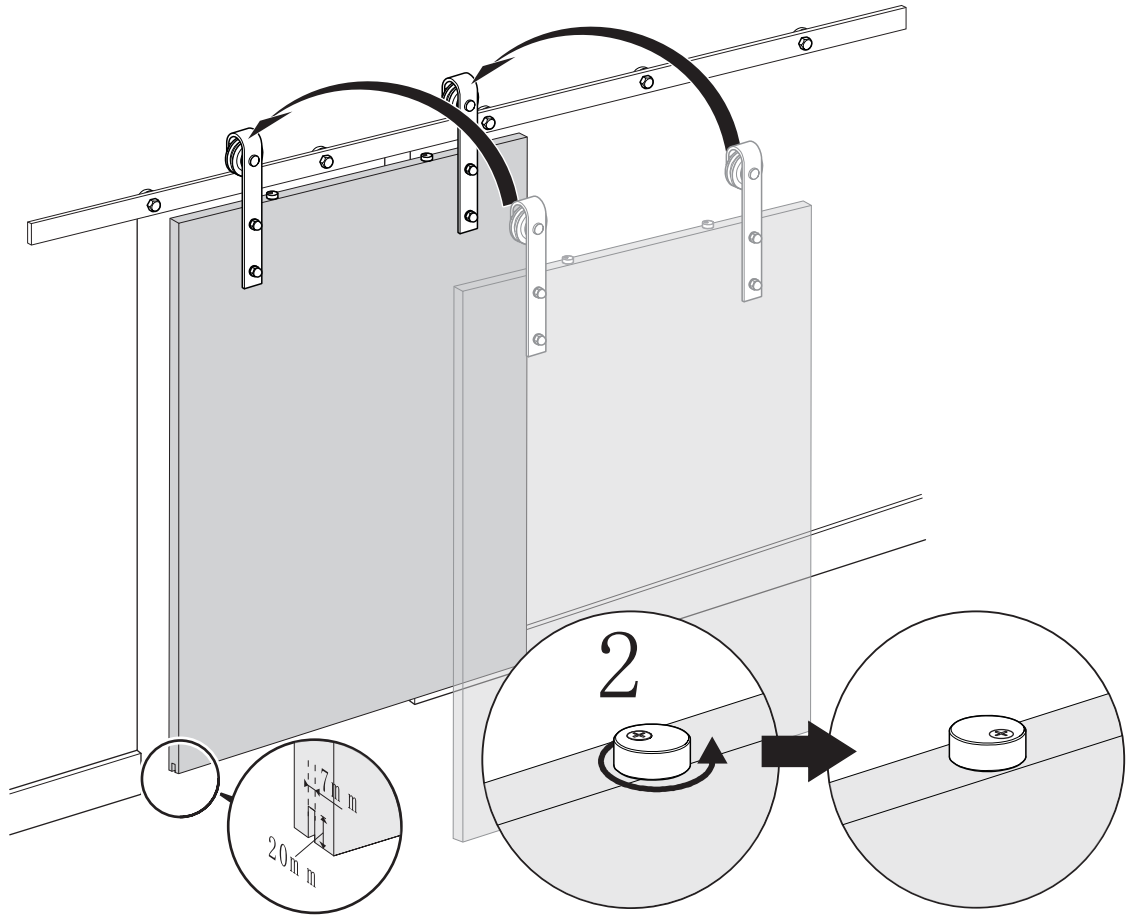


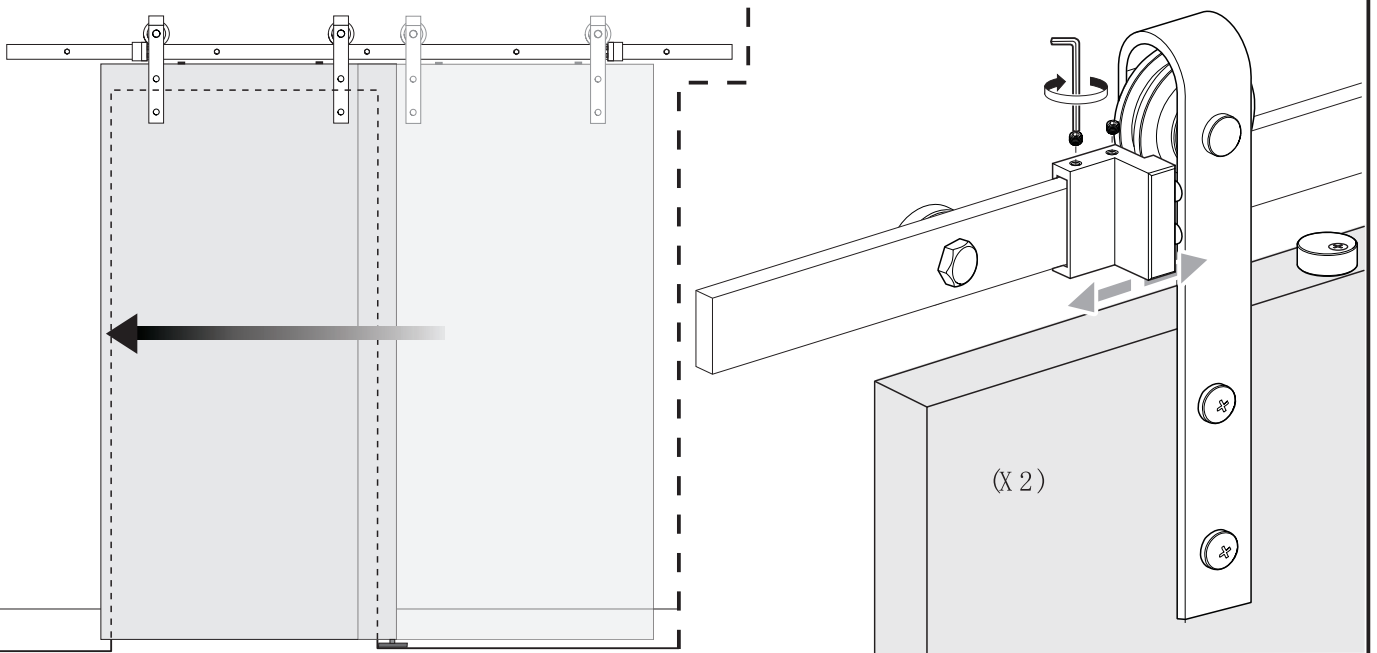
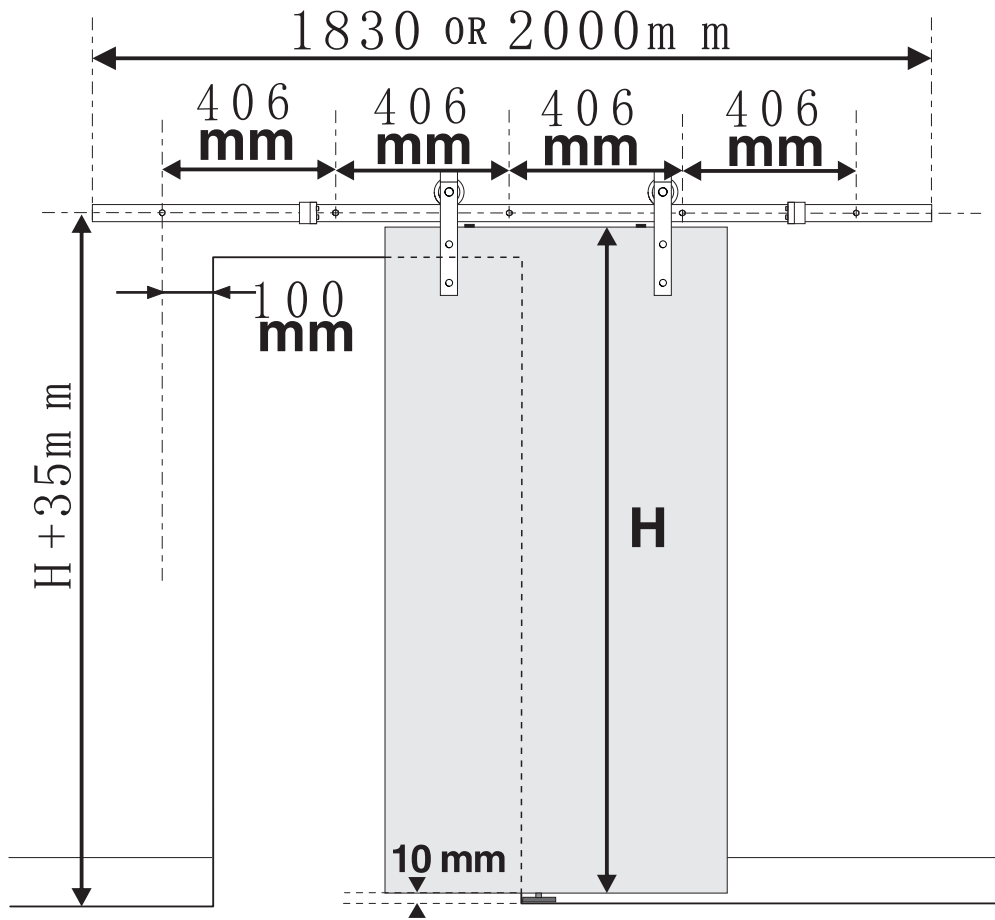


x2



x2





US



001-877-644-9366
customerservice@aosom.com

CA



001-855-537-6088
customerservice@aosom.ca

UK



0044-800-240-4004
enquiries@mhstar.co.uk

DE



0049-(0)40-88307530
service@aosom.de

FR



0033-1-84166106
contact@aosom.fr

ES



0034-931294512
atencioncliente@aosom.es

IT



0039-0249471447
clienti@aosom.it