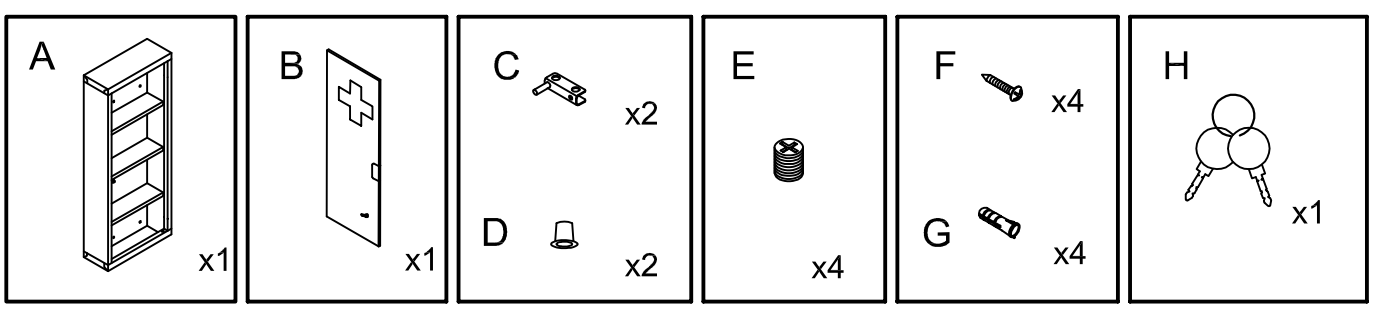




Assembly Instructions

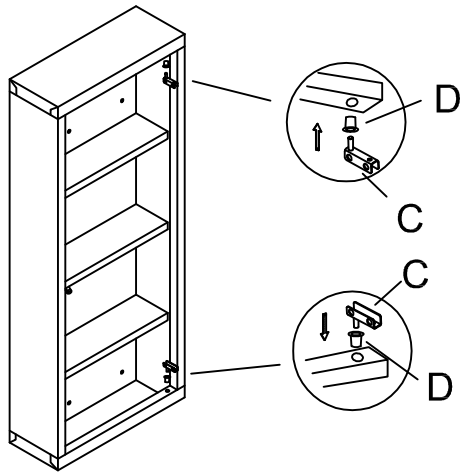
Metal Medicine Cabinet, Red

02-0547

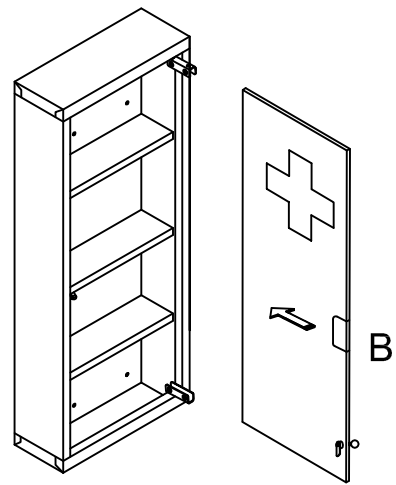


1

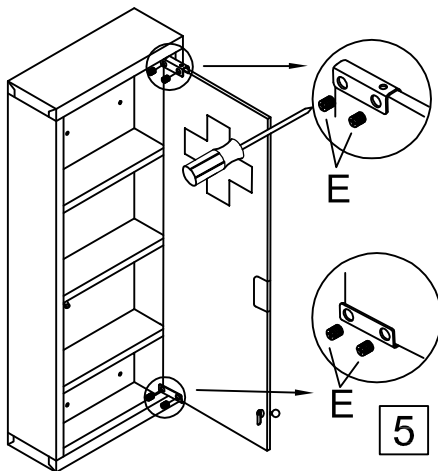
A



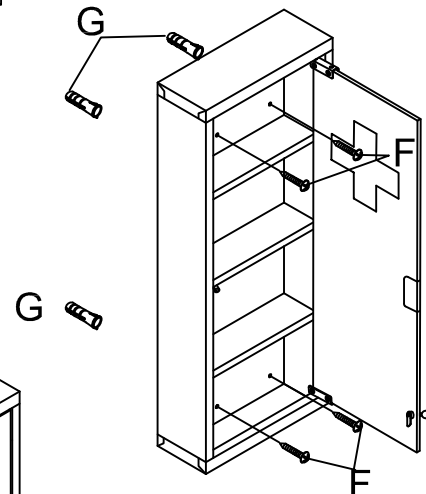
2



3



4



5

