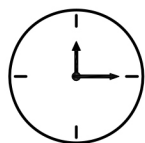
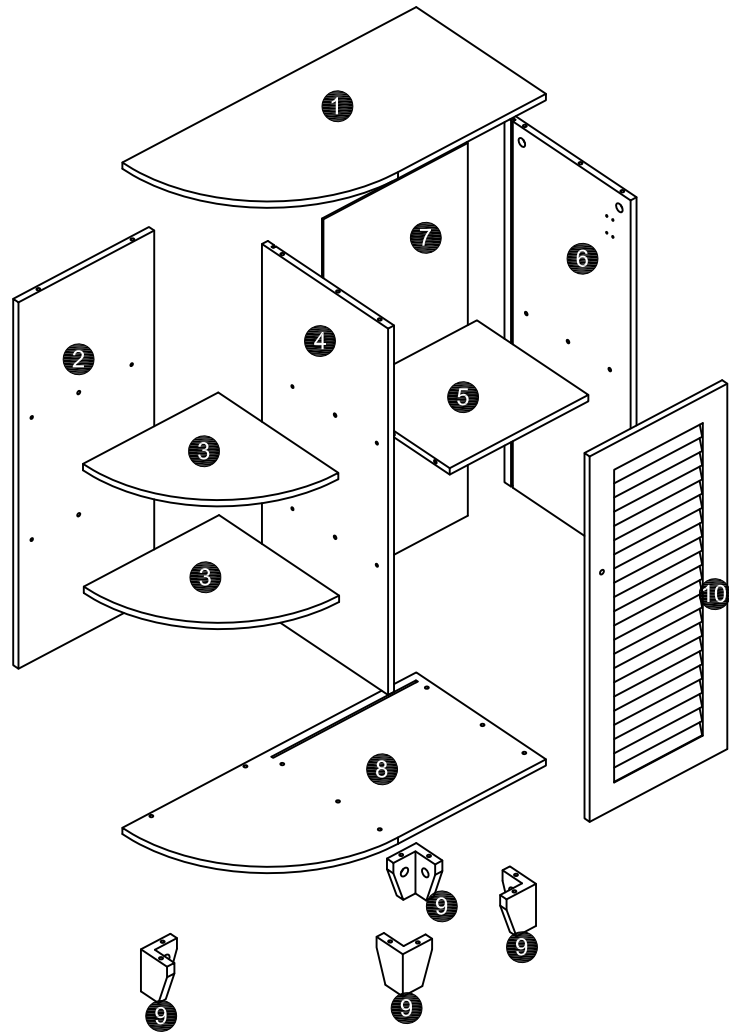



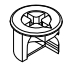
2 PERS.





60 MIN





A	x 25
	
Ø6X35mm	


B	x 25
	
Ø15X10mm	

C	x 12
	
M4x12mm	

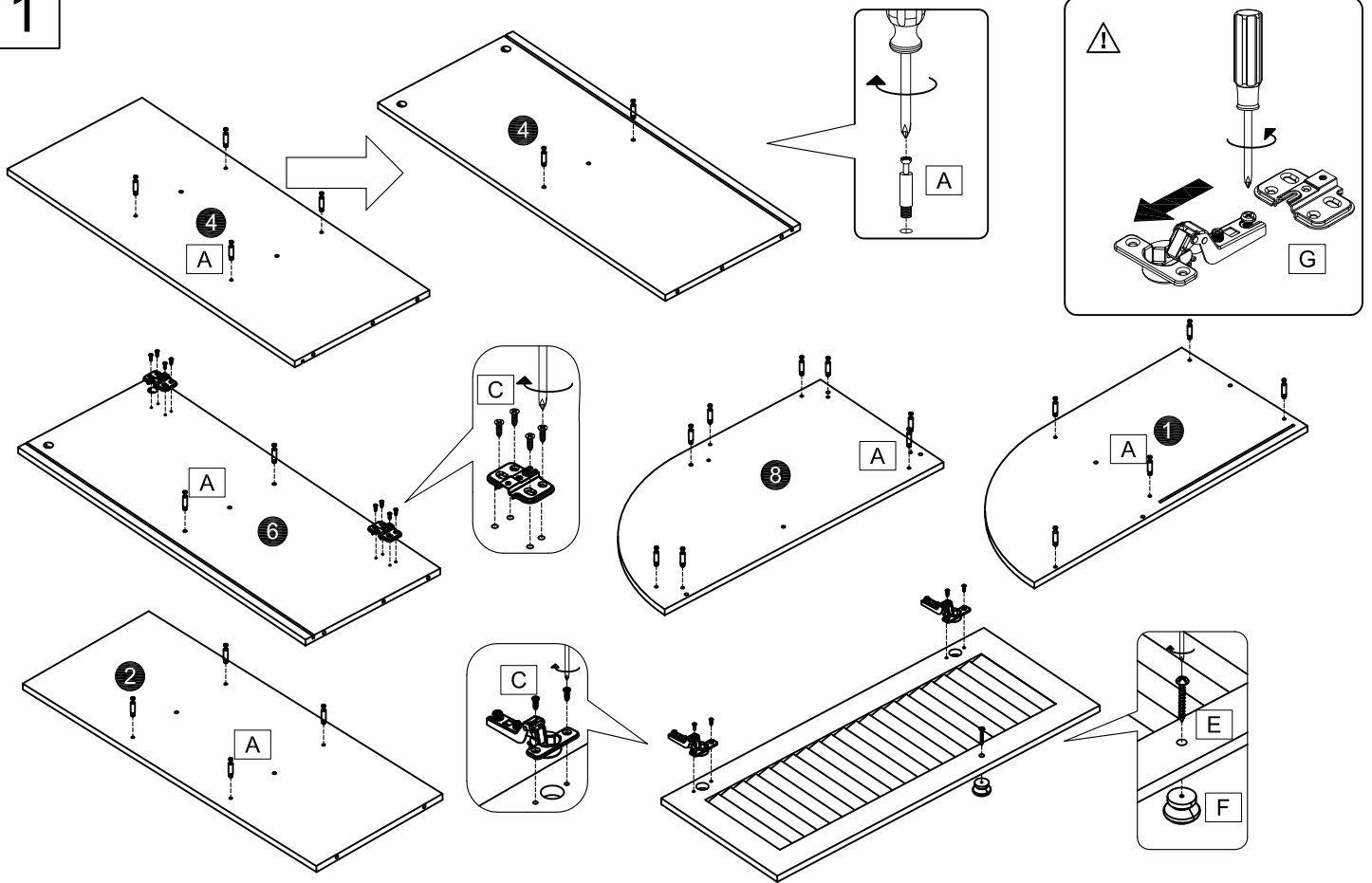
D	x 12
	
Ø6x30mm	

E	x 6
	
M4x25mm	

F	x 1
	

G	x 2
	

1



A	x 25
Ø6X35mm	

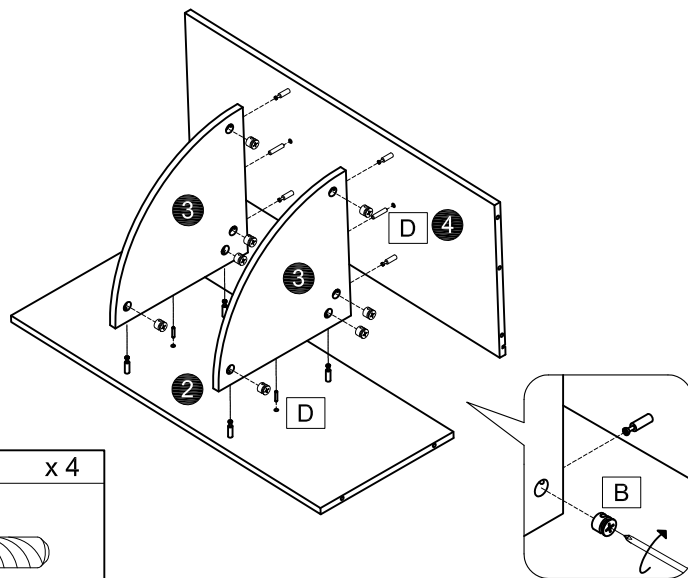
C	x 12
M4x12mm	

F	x 1

E	x 1
M4x25mm	

J	x 2


2




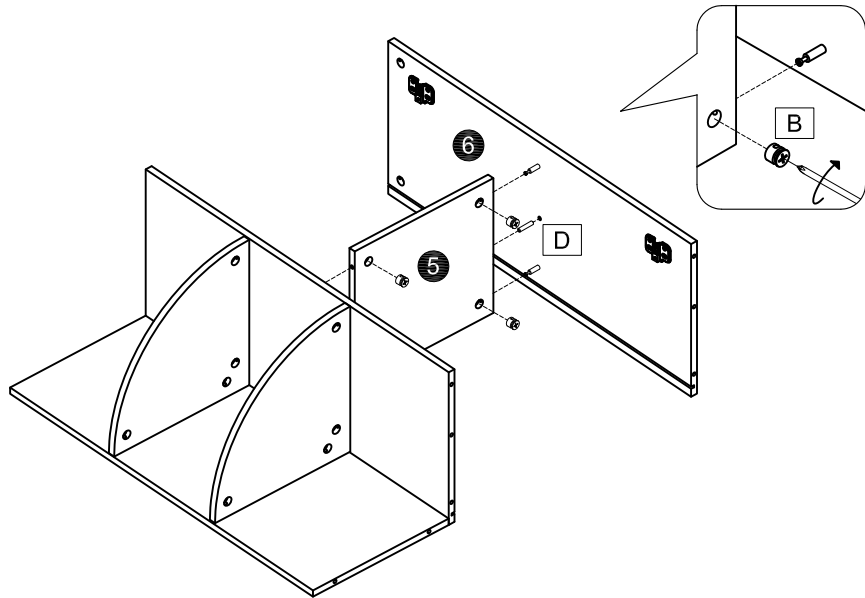
B	x 8
Ø15X10mm	

D	x 4
Ø6x30mm	


3

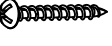
D	x 2
	
Ø6x30mm	

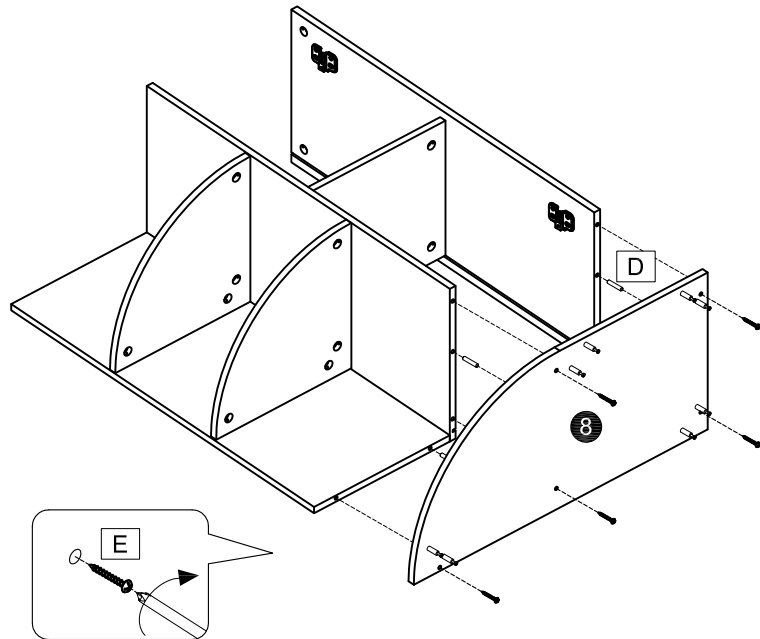
B	x 4
	
Ø15X10mm	




4

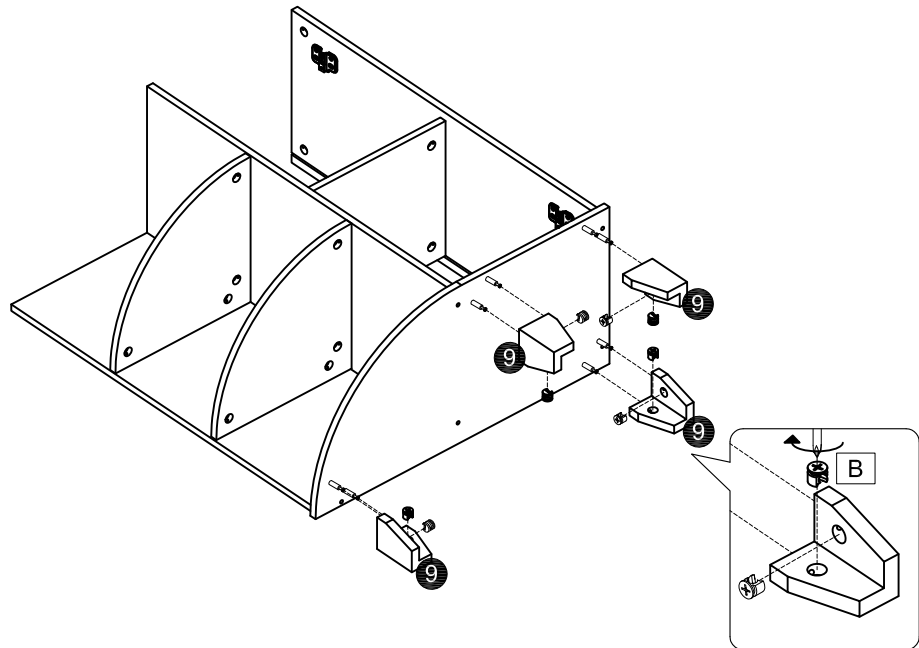
D	x 3
	
Ø6x30mm	

E	x 5
	
M4x25mm	

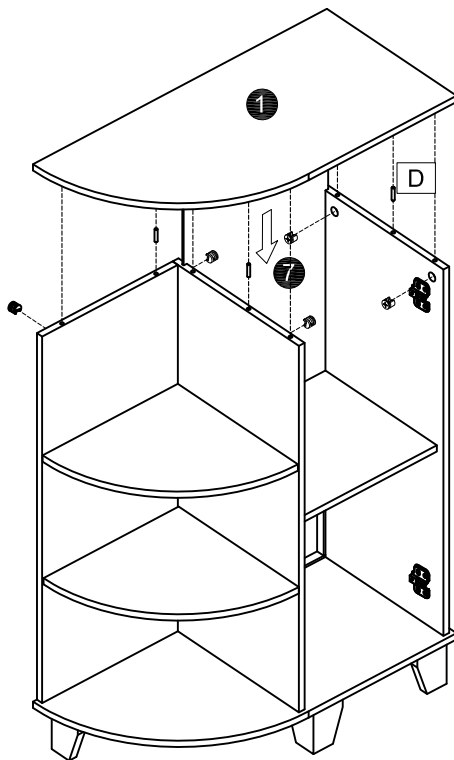


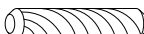
5


B	x 8
	
Ø15X10mm	



6



D	x 3
	
Ø6x30mm	

B	x 5
	
Ø15X10mm	

7

