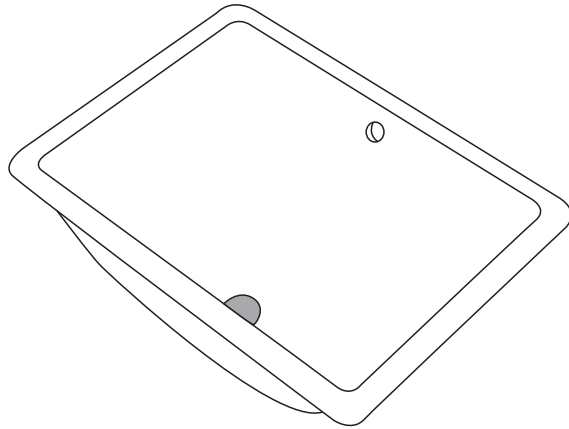
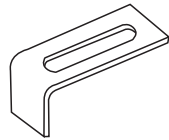




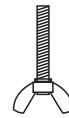
834-179



A 1PC



B 4PCS

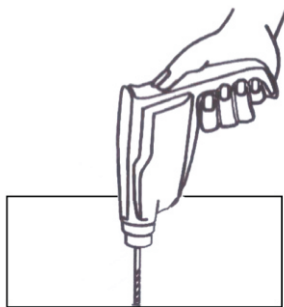


C 4PCS

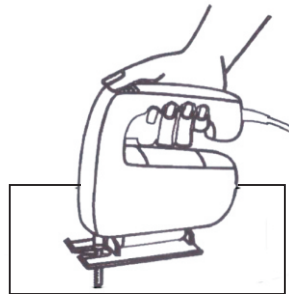


D 4PCS

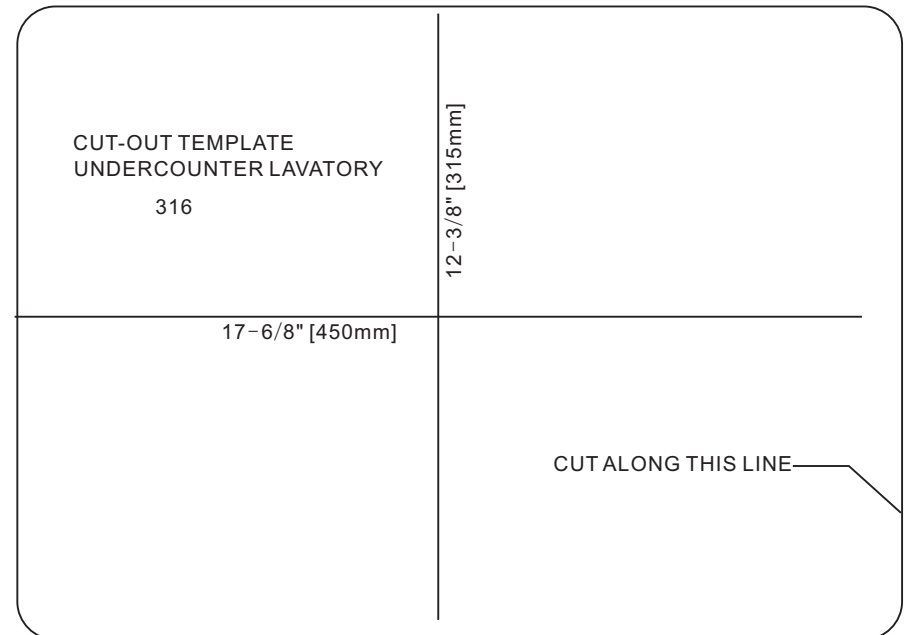
STEP 1



Drill positioning hole

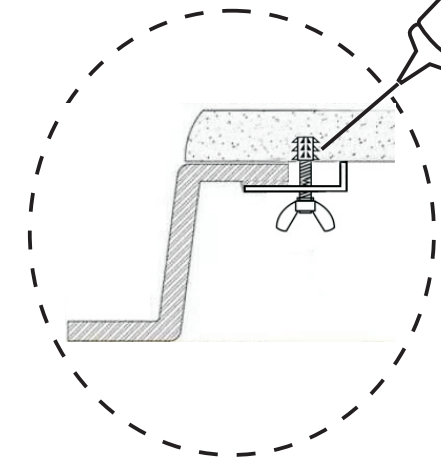
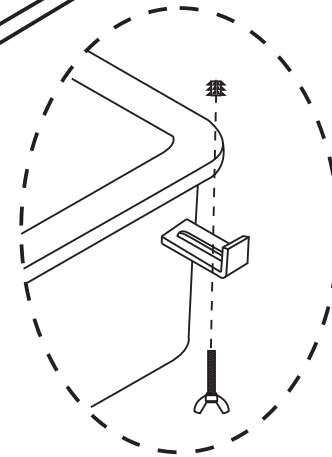
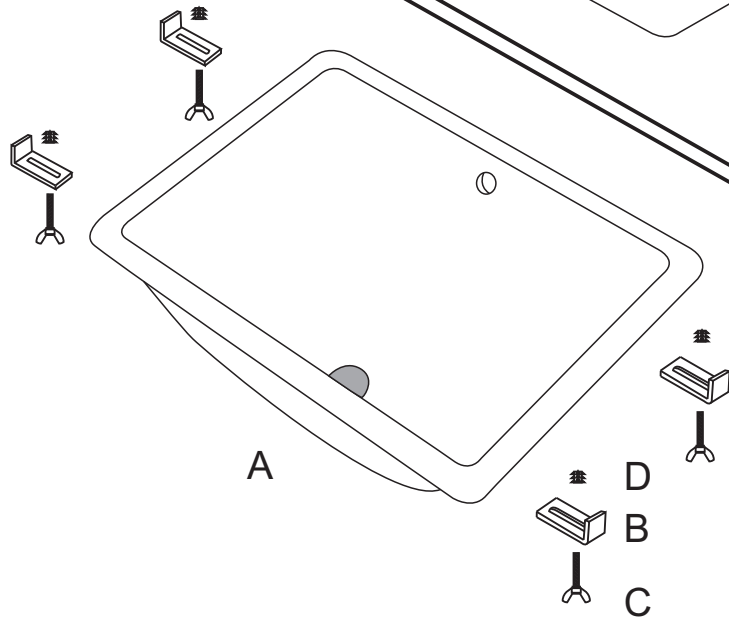
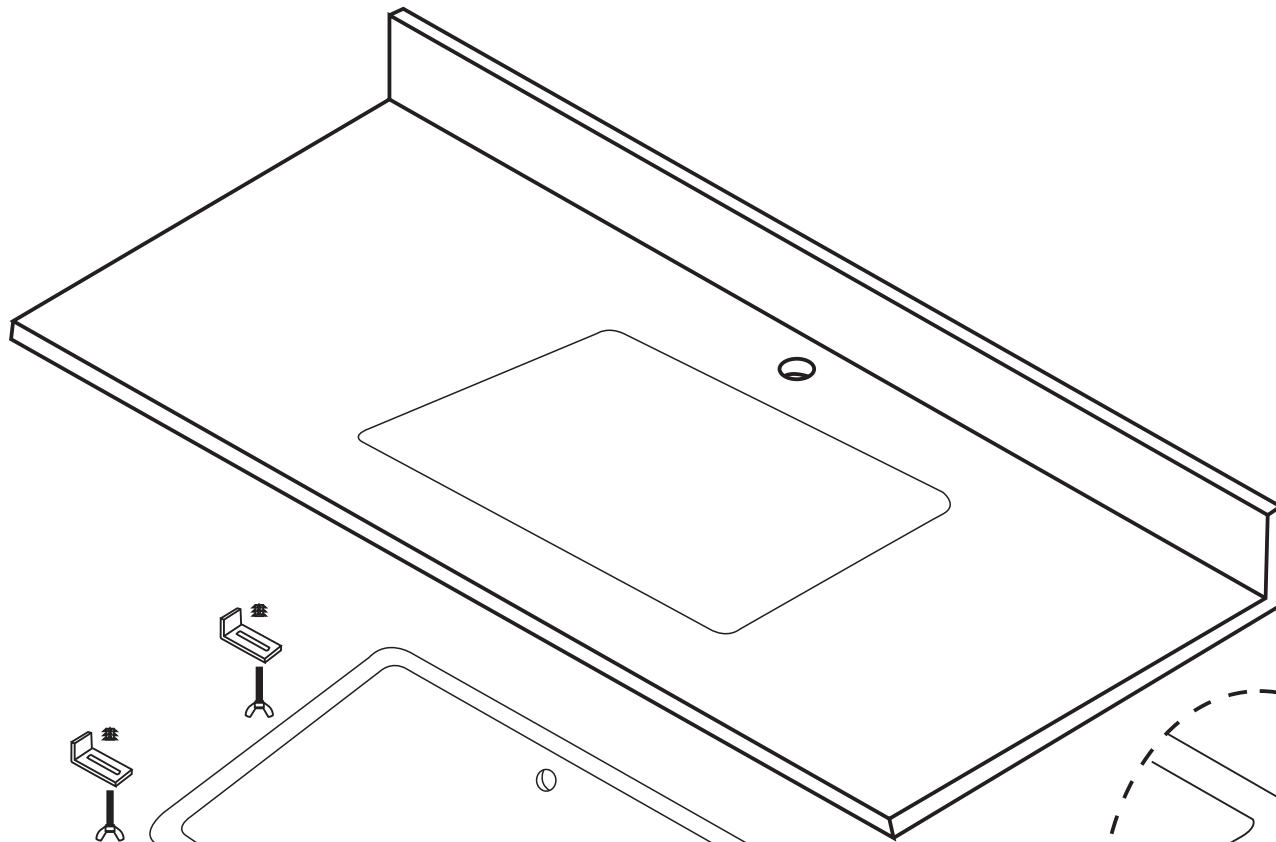


Cutting



Please cut the marble according to the cutting line paper (was provided with products), if missing the cutting line paper, please refer to the basin dimensions in the instruction.

*kleanfin*



Drill positioning hole

Please insert nut with special marble glue to the hole, then fixing with bolt.