

B50-005 B50-006



CE

Please read these instructions and warranty information carefully before use and keep them properly for future reference.

		motor should run. If nothing then suspect the motor
Pressure switch not working	Faulty switch	Check by removing the plastic pipe going to the switch and using a rubber ball create pressure. A click should be heard which indicates the switch is working and if the supply is connected the motor should run. It is possible for material to block the small plastic pipe so ensure it is clear.

WARRANTEE

We have sold many hundreds of these units and the design is a low maintenance robust style. The only problems associated with it is with foreign material being flushed into the unit which the blades and pump are unable to handle. Because of this our guarantee is such that a new unit must be purchased and we will collect the old unit and examine and if found to be a manufacturing fault a refund in full will be given if however something is found in the unit photos will be taken and sent you.

This macerator has been extensively tested with some parts like the pressure switch being subjected to 10,000 operations to give a reliable maintenance free use. However the unit must be correctly installed and used in accordance to the makers instructions and only used for the disposal of water, tissue and human waste nothing else must be flushed through the unit

Disposal



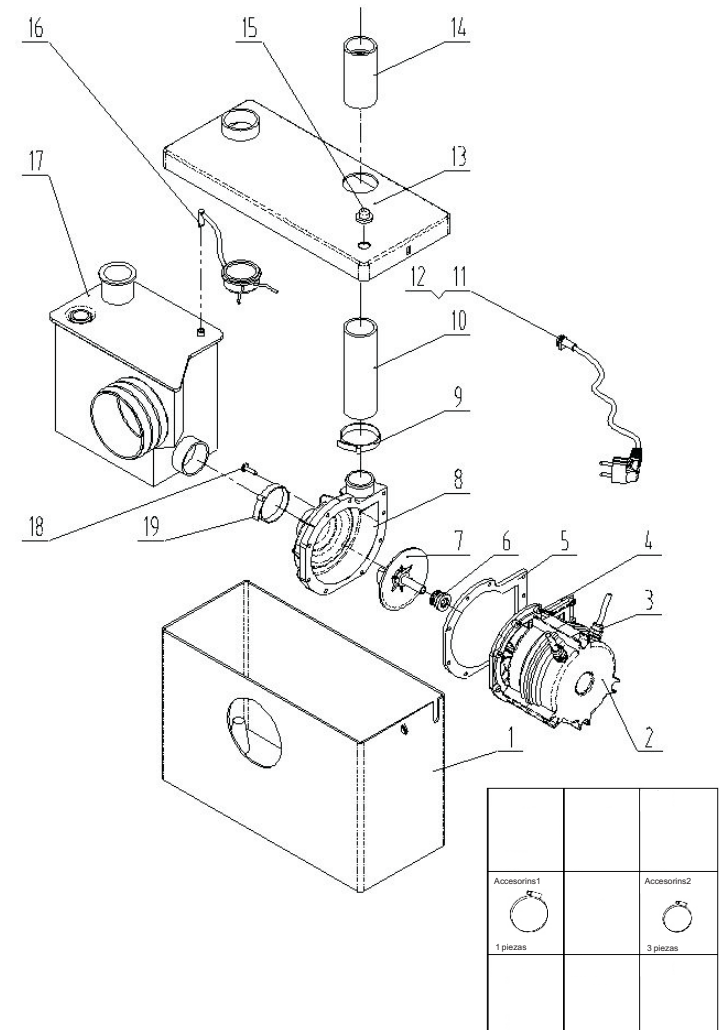
This marking indicates that this product should not be disposed with other household wastes throughout the EU. To prevent possible harm to the environment or human health from uncontrolled waste disposal, recycle it responsibly to promote the sustainable reuse of material resources. To return your used device, please use the return and collection systems or contact the retailer where the product was purchased. They can take this product for environmental safe recycling.

ATTENTION:

If the supply cord is damaged, it must be replaced by the manufacturer, its service agent or similarly qualified persons in order to avoid a hazard

Before the use ,the appliance must be ensured that it is earthed reliably to socket-outlet.

Description



ITEM	DESCRIPTION
1	Outer case
2	Motor
3	Motor electrical connection
4	Capacitor
5	Pump gasket
6	Shaft seal
7	Pump and cutter impeller
8	Pump casing
9	Pipe clip
10	Outlet to waste pipes with built in non return valve
11	Supply cable
12	Supply cable gland
13	Manual over ride button
14	Pipe connector (can use reducer)
15	Over ride switch nut
16	Pressure switch and pipe
17	Inner rubber tank
18	Pump casing fixing screws (10 off)
19	Pipe clip

Specification:

Type : MP600
 Power: 600W
 Input: AC 230V;50Hz

HOW THE UNIT FUNCTIONS

The macerator is simply a tank which is gravity fed from your toilet, washing machine, shower etc. with a built in pressure switch which detects the incoming waste and starts a pump combined with cutting blades. This reduces the effluent to an easy to pump fluid which is then pumped along small diameter pipes into the drains. A non return valve is fitted as standard so enabling the unit to pump up to 7m vertically.

INSTALLATION

ELECTRICS	The unit must be installed to current electrical regulations with a fused spur mounted outside the room fused at 3 amps. We advise that this is done by a registered electrician.
WATER	The unit is designed for a horizontal toilet with outlet the standard

	European 18cm to the outlet centre from the floor. All other inlets must gravity fed into the unit. The outlet comes as standard with a 32mm connection however 22mm can be used with a reducer. What is very important is that the pipe run uses radius bends and not 90 degree bends as blockages can occur.
INPUTS	The unit can used just for one input such as toilet or shower or sink or with all at once and blanking covers are provided to allow for this
SPECIFICATION	Water Temperature minimum 1 degree centigrade it is important that the unit does not freeze and a maximum of 90 degrees Motor power. A powerful 600 watts allows for all normal waste and is designed to give years of service Voltage 230 volts at 50hz fused at 3amp Max discharge vertical 6.5 m Max discharge horizontal 100m please see graph for more details Flow rate the unit pumps at 140 litres per minute
DISPOSAL	The unit is designed to give many trouble free years of service however at the end of its life be advised that the unit meets the current directive for disposal and must be handled in accordance with these standards.

FAULT FINDING		
PROBLEM	CAUSES	SOLUTION
Motor humming but will not clear toilet or other sources	Blockage in unit, something other than just tissue has blocked the motor or the outlet has become blocked	<ol style="list-style-type: none"> 1. Disconnect from the electricity supply 2. Drain the toilet pan and unit using a siphon 3. Remove pan and check for obstruction inside by feeling 4. If nothing felt remove the lid of the unit 5. Remove large rubber tank and the motor as one unit 6. Remove motor by undoing clip from tank 7. Undo ring of screws from motor pump 8. Remove blockage 9. Reassemble in reverse of above. 10. Reconnect and check
Motor runs but stops and starts	Blockage in outlet pipe	Lift of lid and check the non return valve is not stuck open with any foreign material. Fit a short length of pipe on the outlet and run into bucket. Try the unit to see if it flushes correctly.
Motor silent	Electric supply dead Faulty Pressure switch	Check the supply and replace fuse if required. Press manual override button several times.