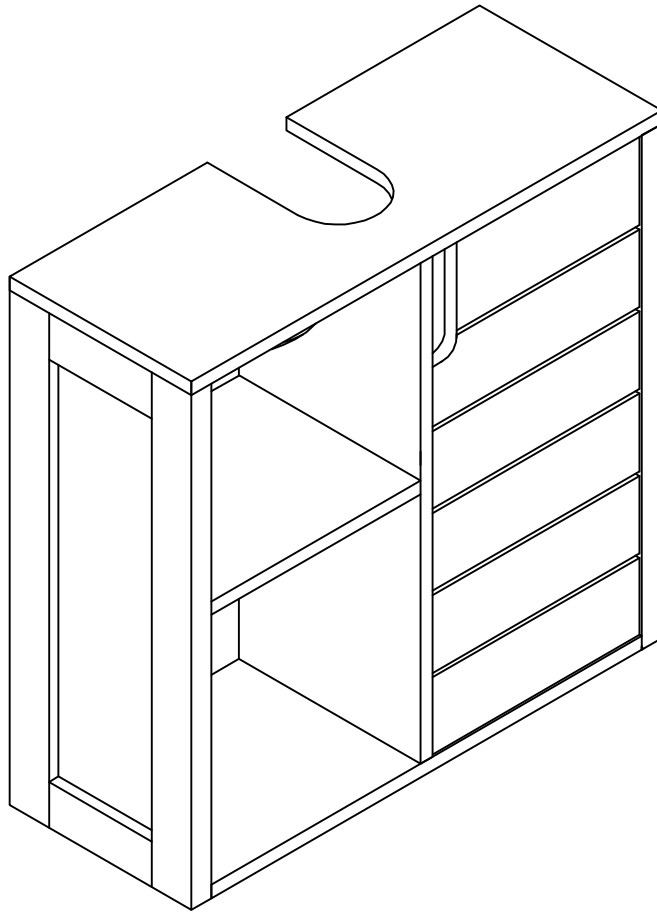
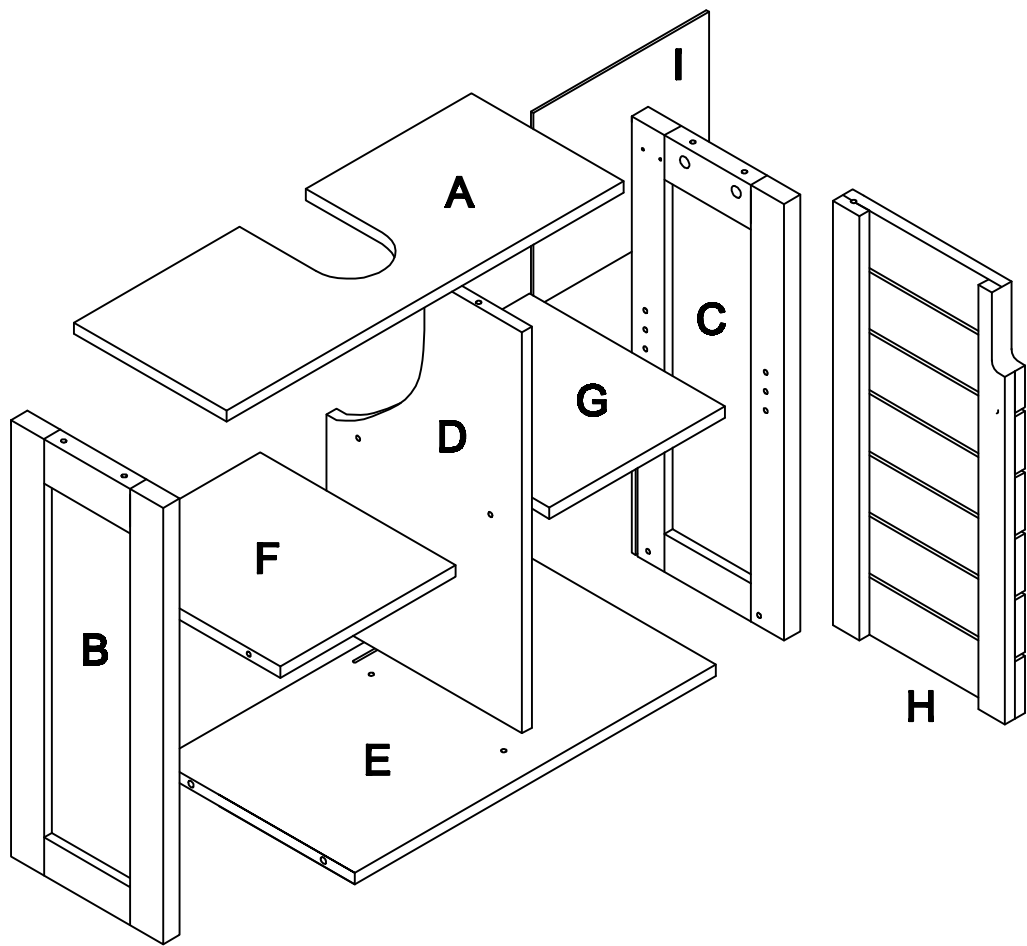
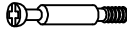

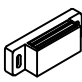




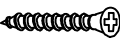
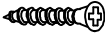




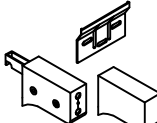





834-213

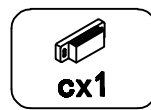
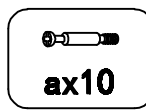
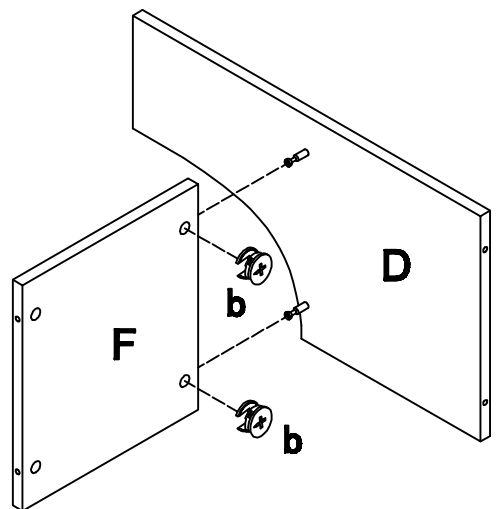
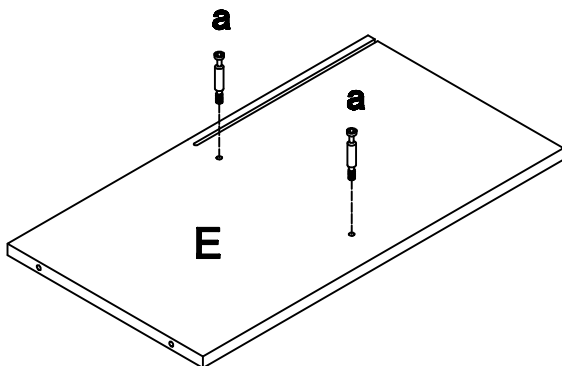
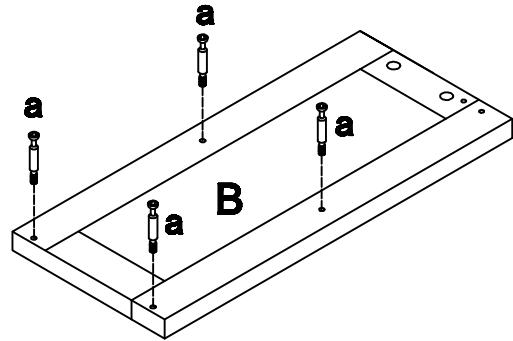
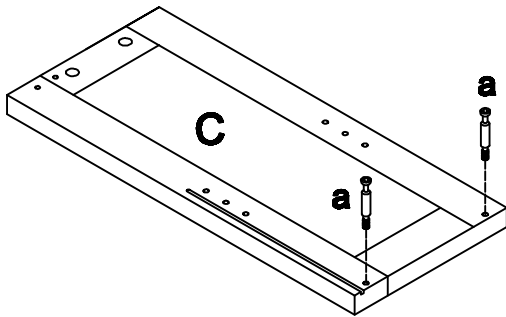
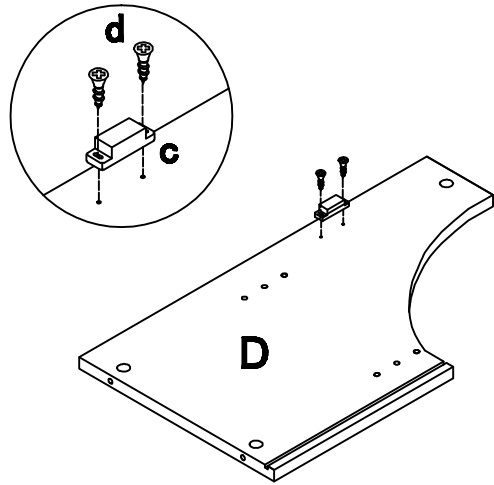
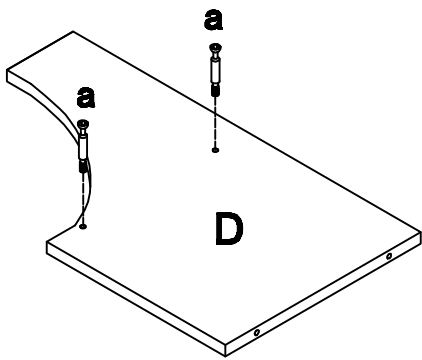
C000000



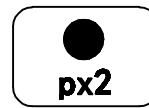
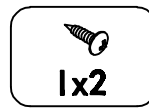
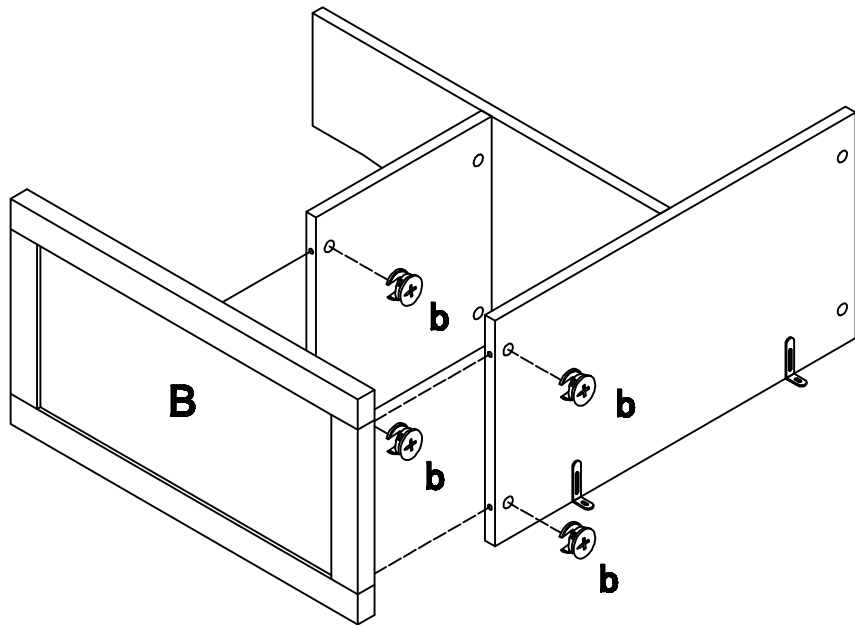
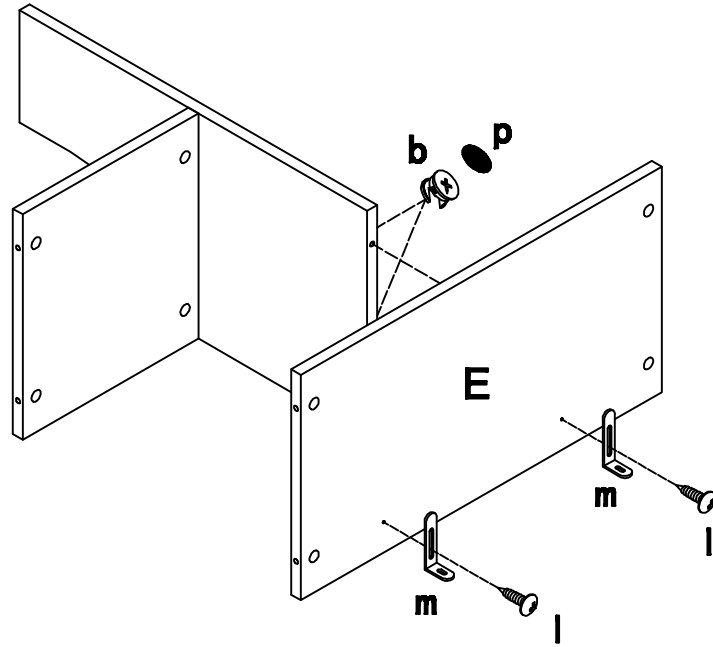


			 ax15	 bx15
 cx1	 Ø3x14 dx6	 ex1	 Ø3x10 fx1	 gx2
 Ø4x35 hx8	 Ø4x30 ix4	 jx8	 kx4	 Ø4x12 lx2
 mx2	 nx2	 ox1	 px7	 qx4

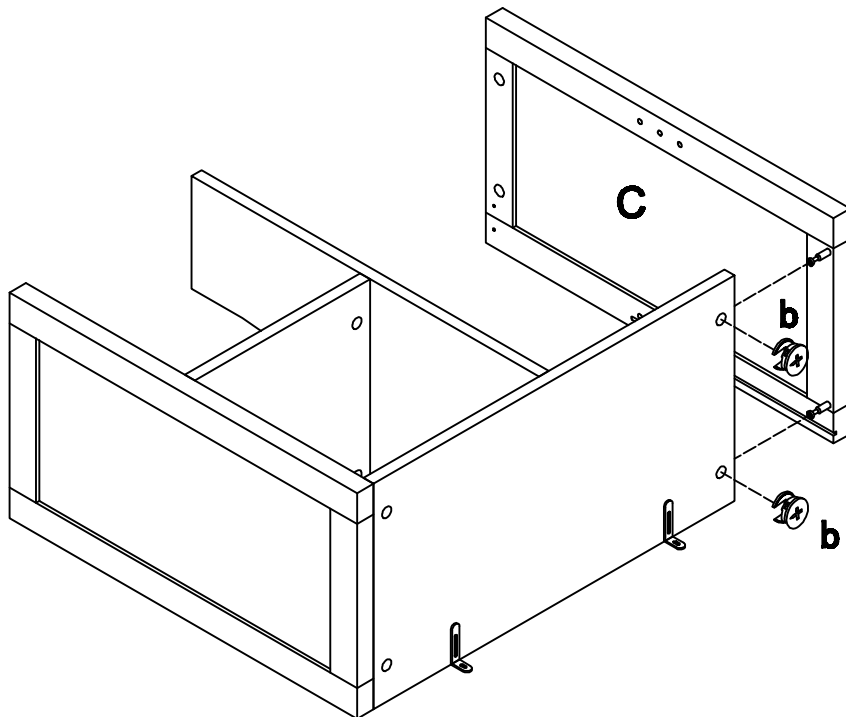
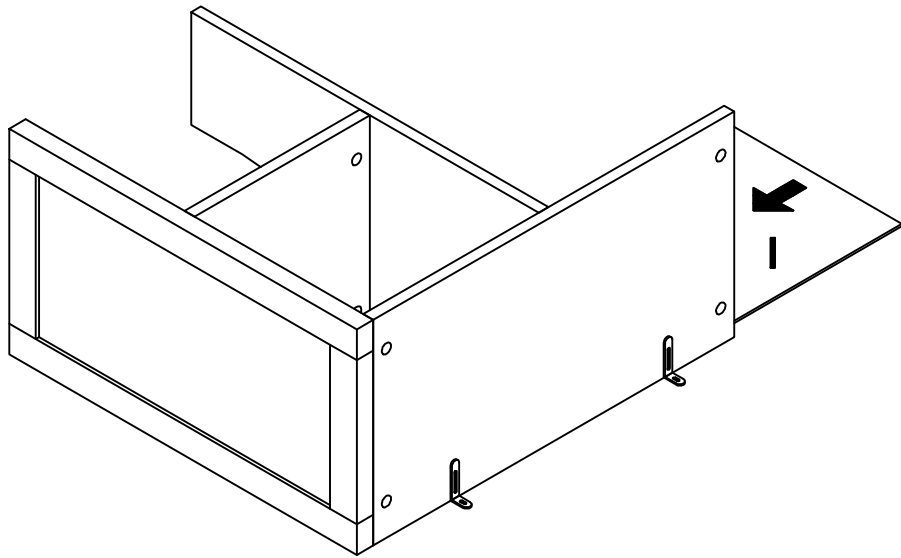
1



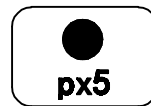
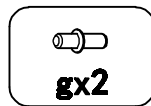
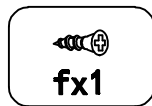
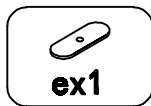
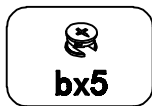
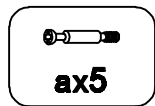
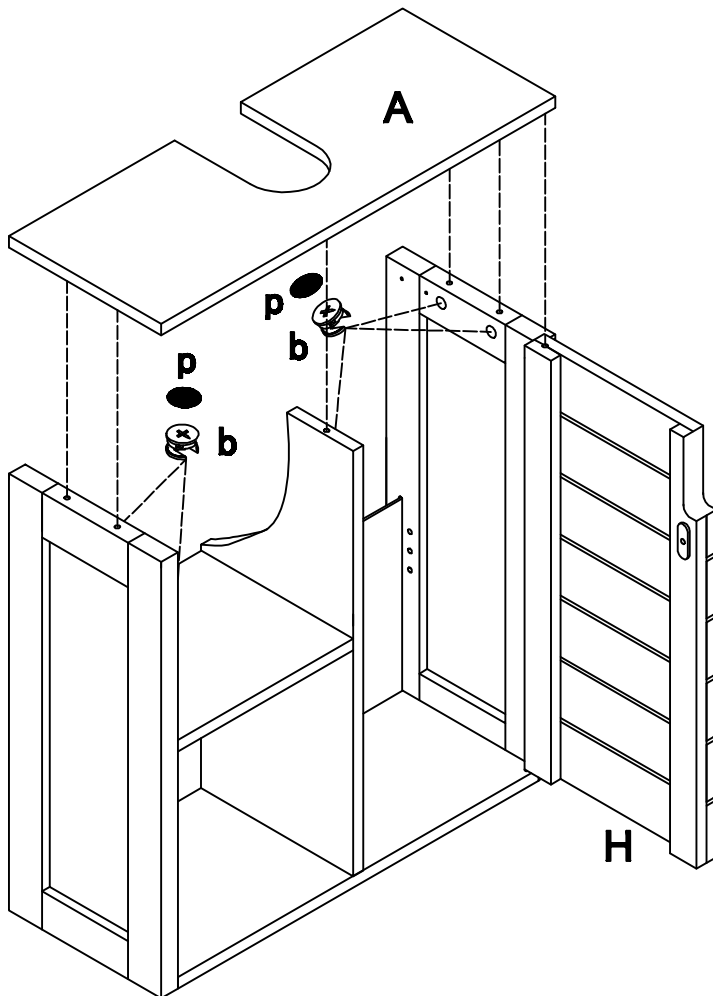
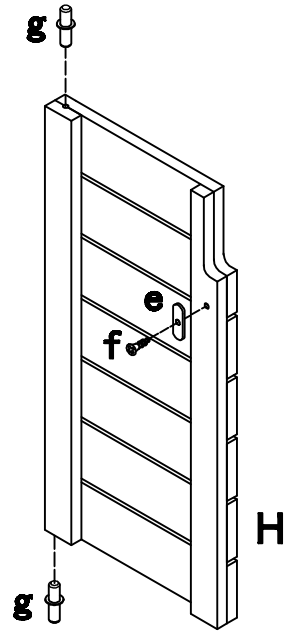
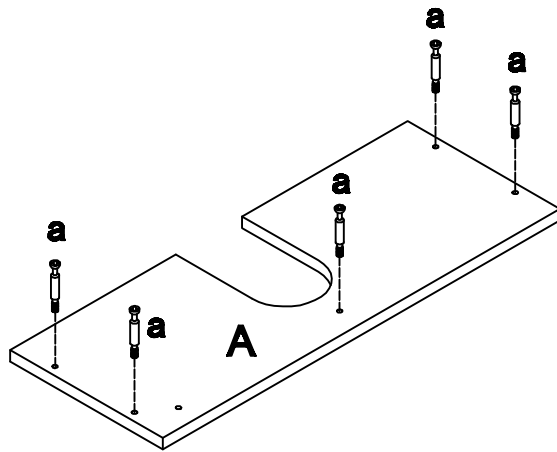
2



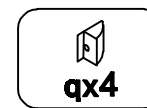
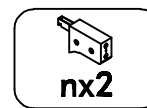
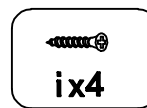
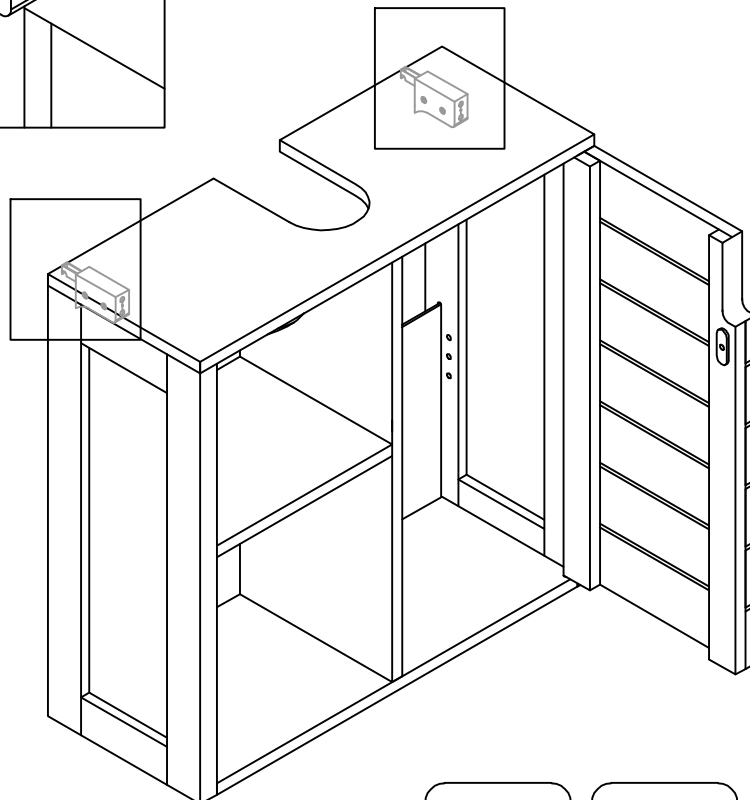
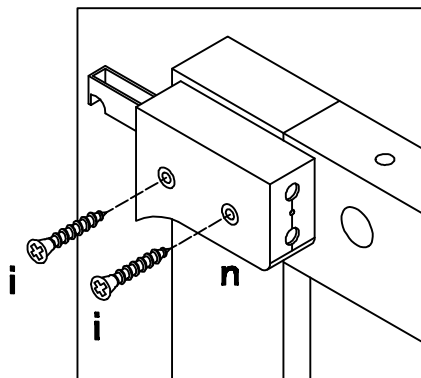
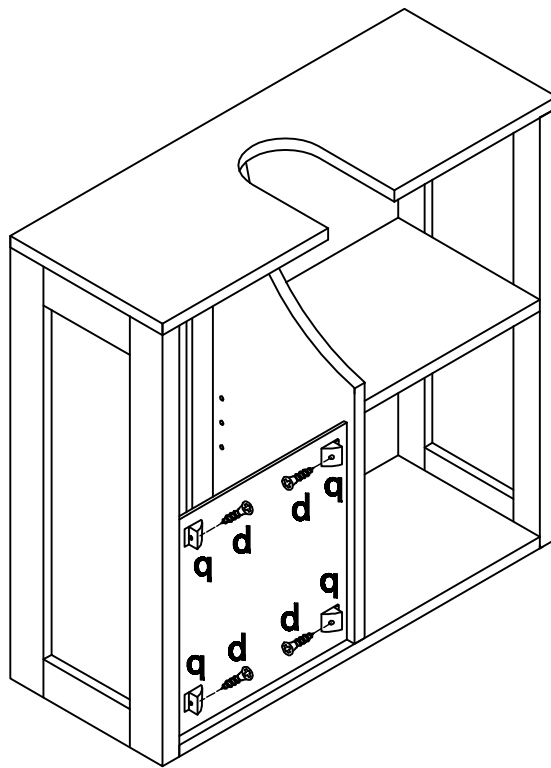
3



4



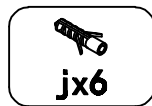
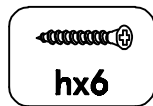
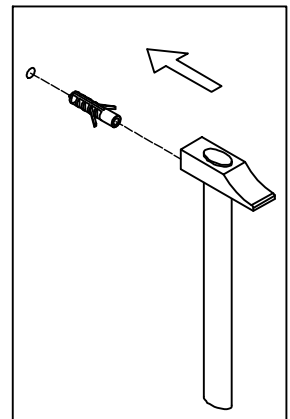
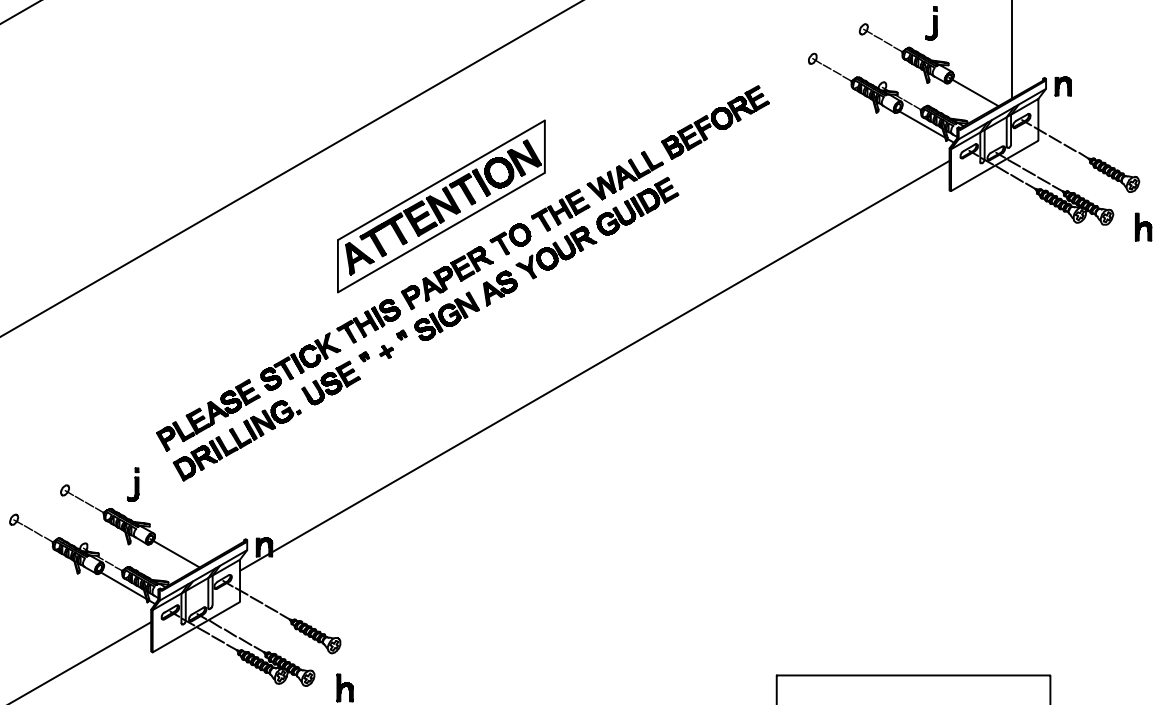
5



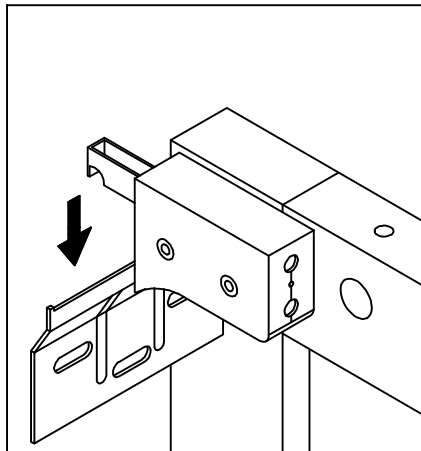
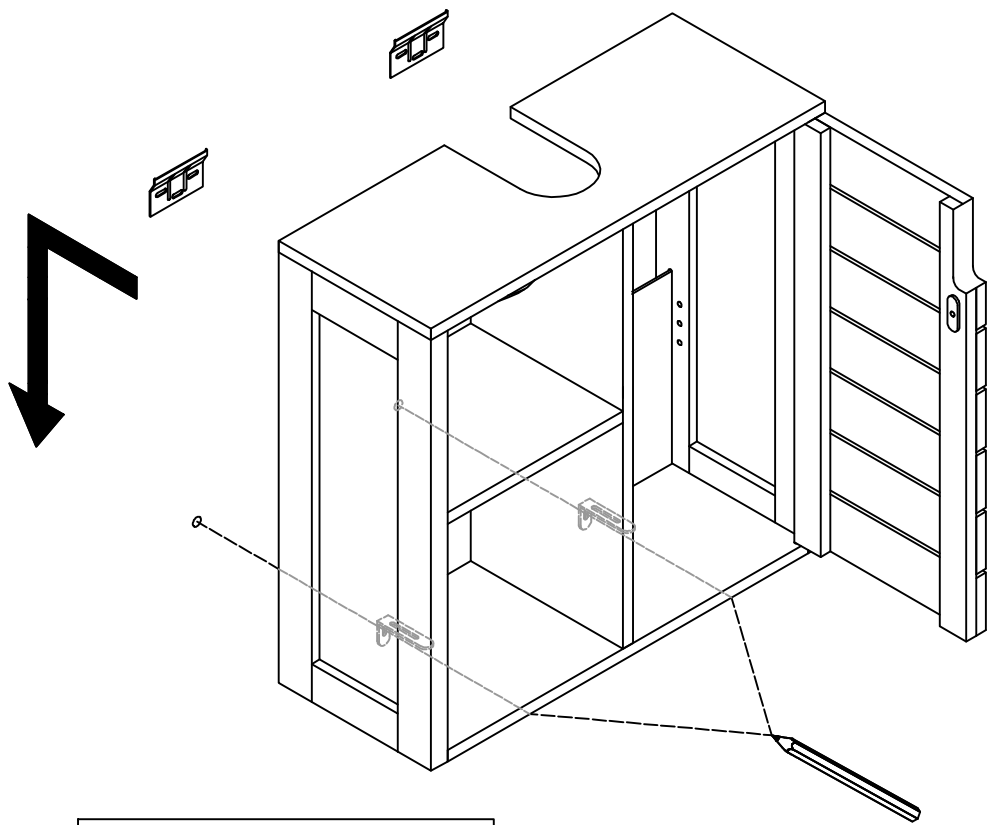
6

ATTENTION

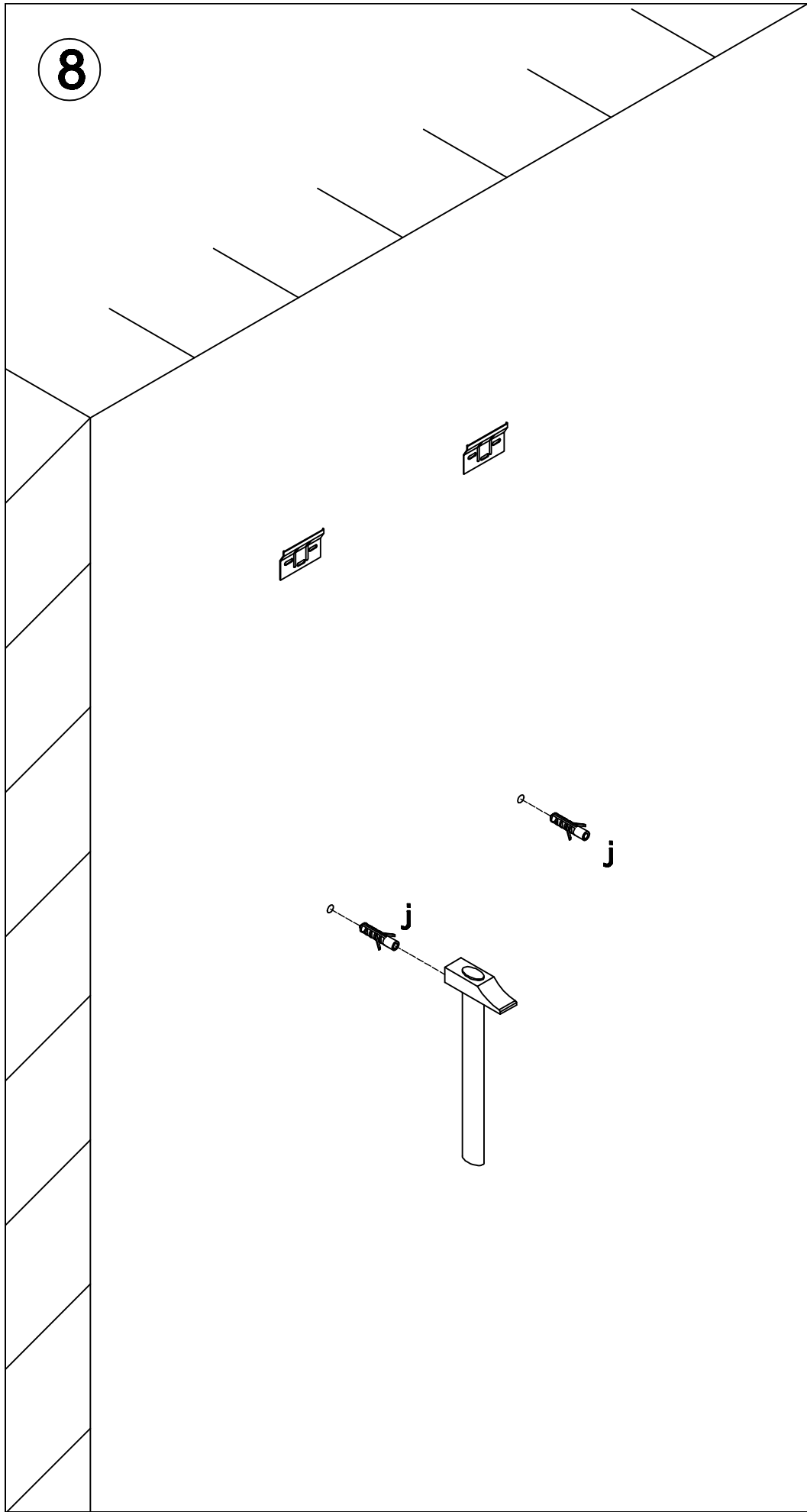
PLEASE STICK THIS PAPER TO THE WALL BEFORE DRILLING. USE "+" SIGN AS YOUR GUIDE



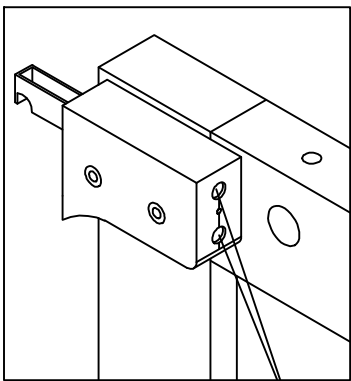
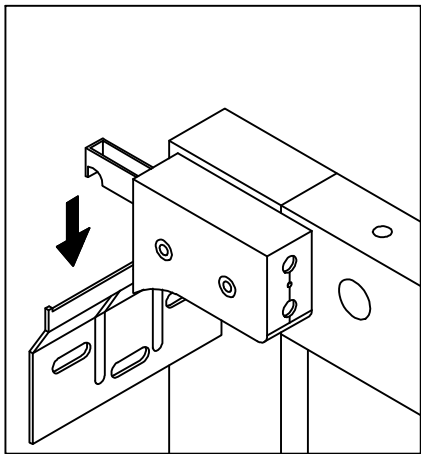
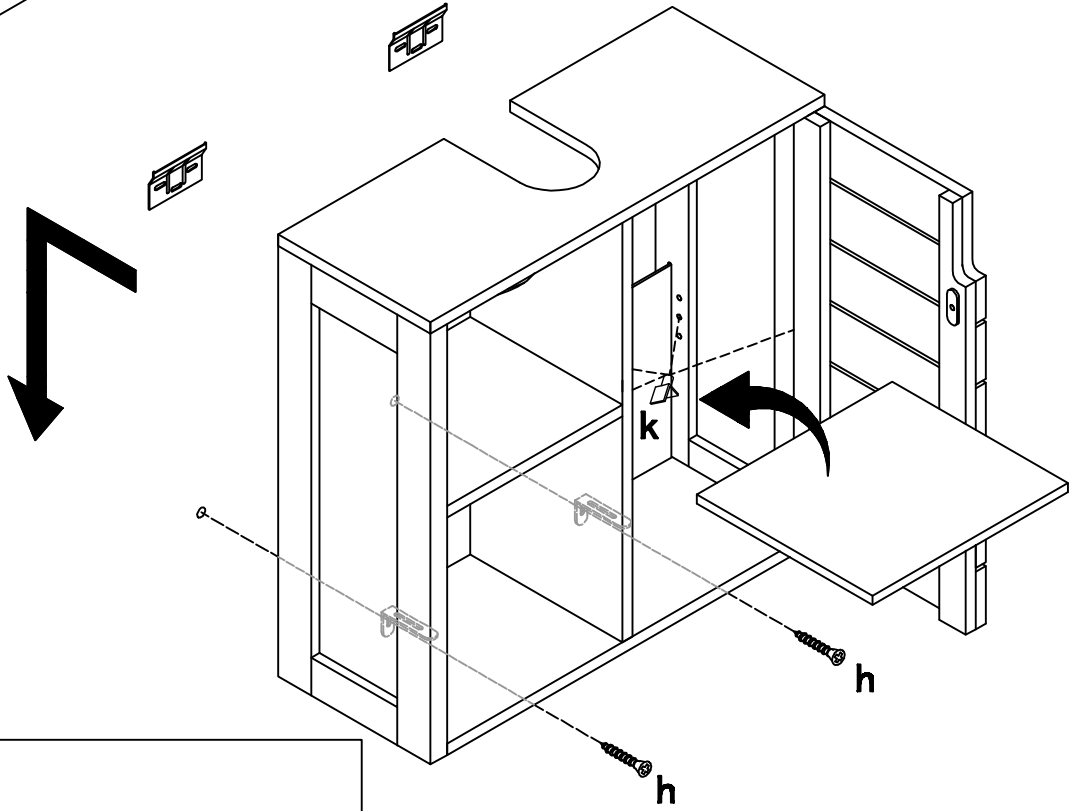
7



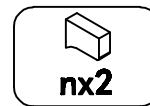
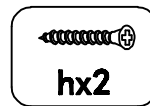
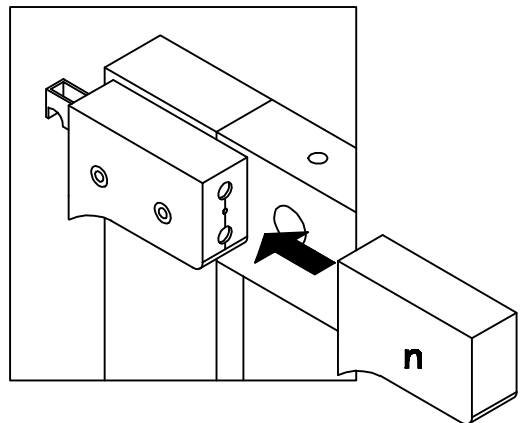
8



9



Tighten this screw



10

