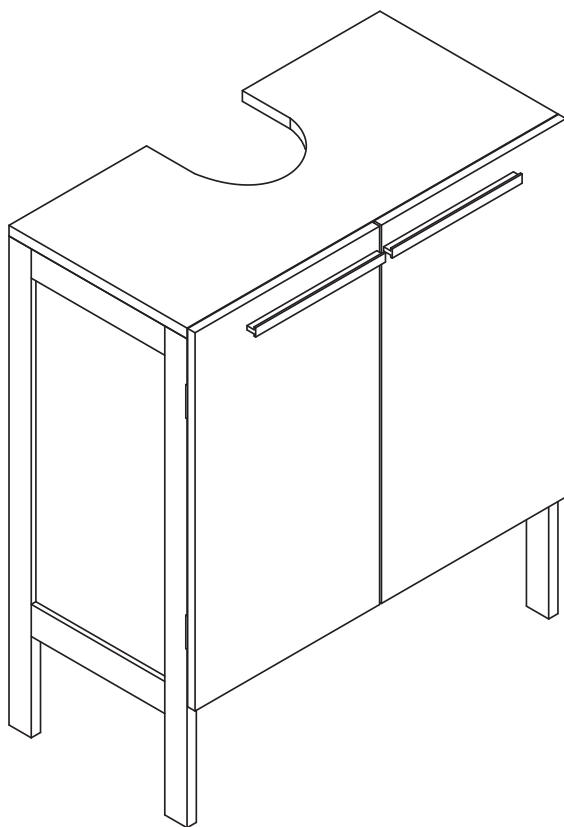
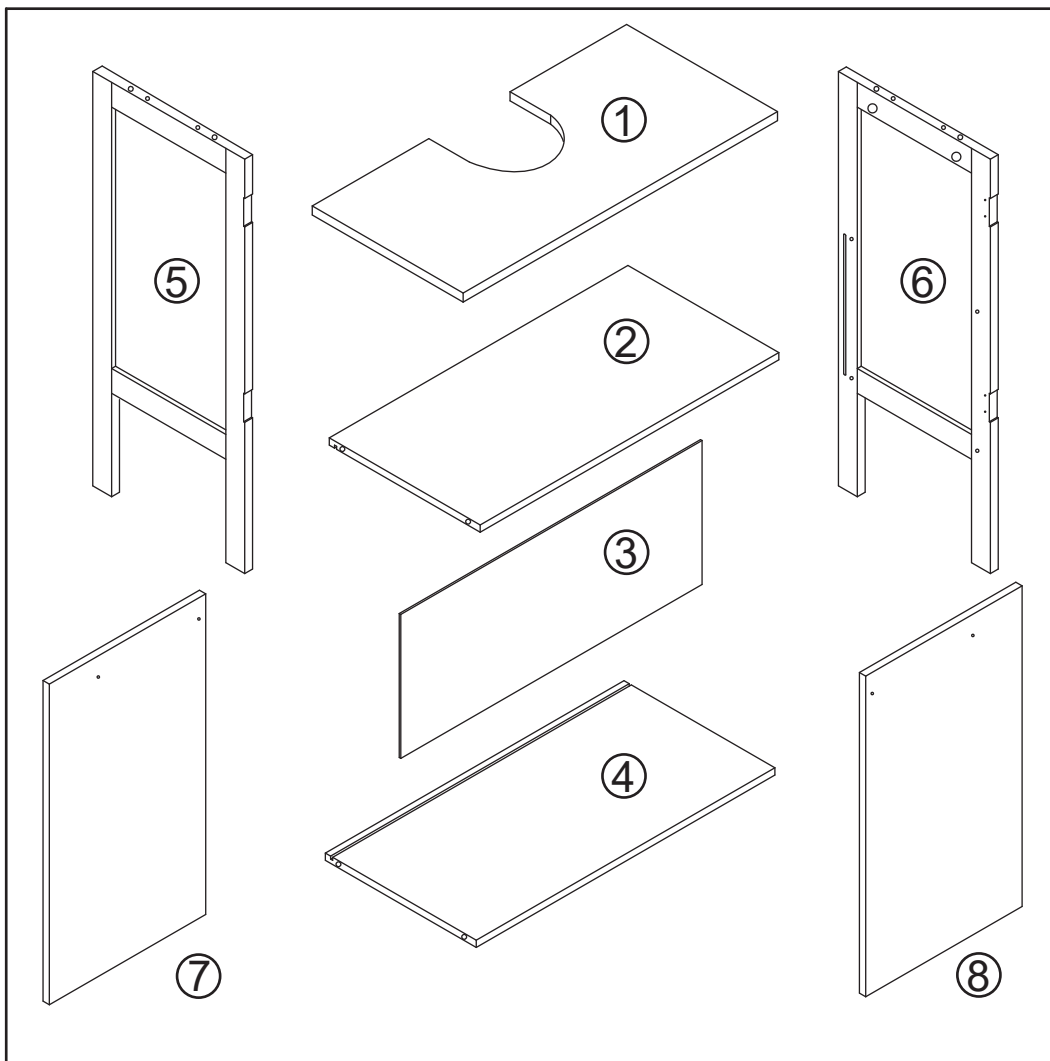


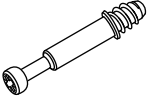

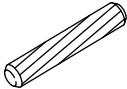
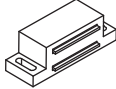





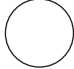


834-215

C000000

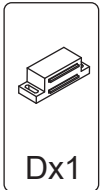
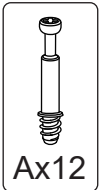
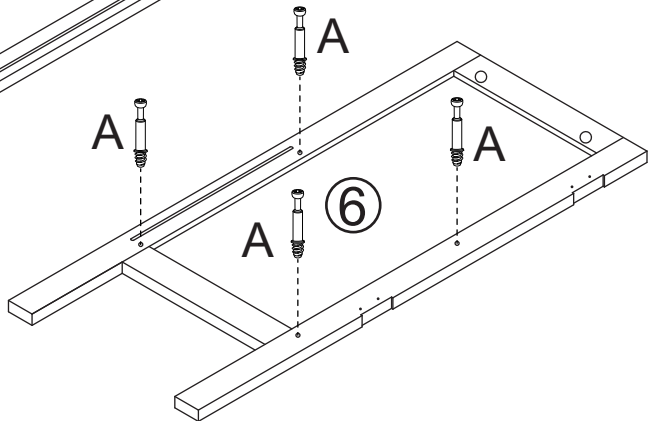
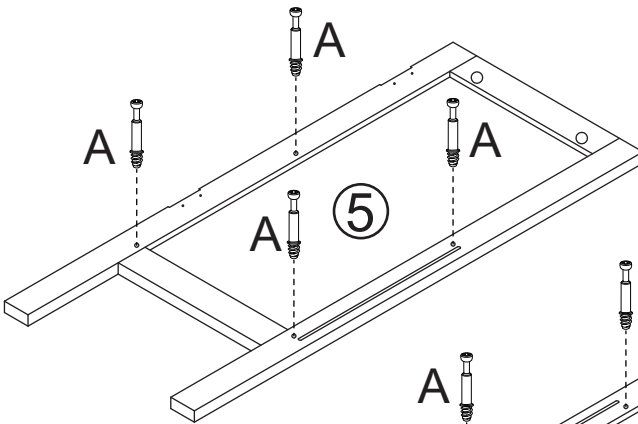
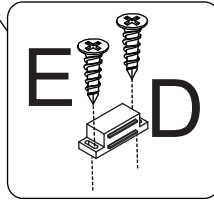
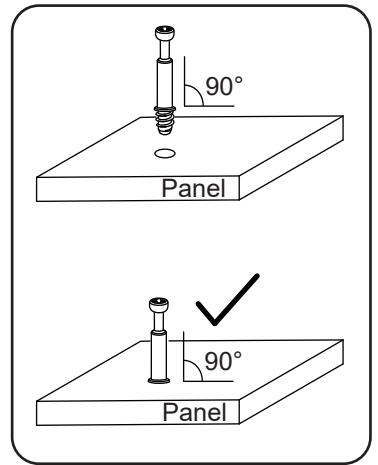
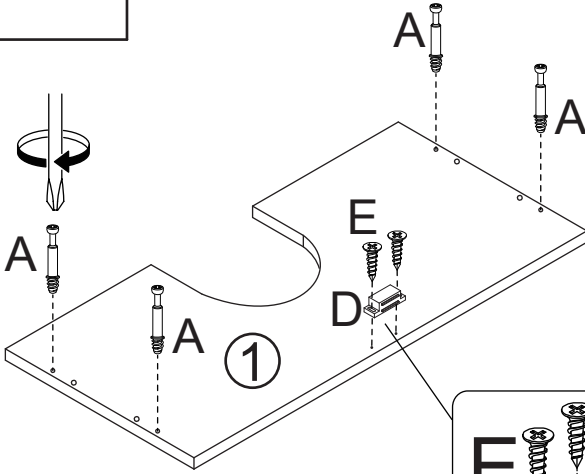


ASSEMBLY INSTRUCTIONS

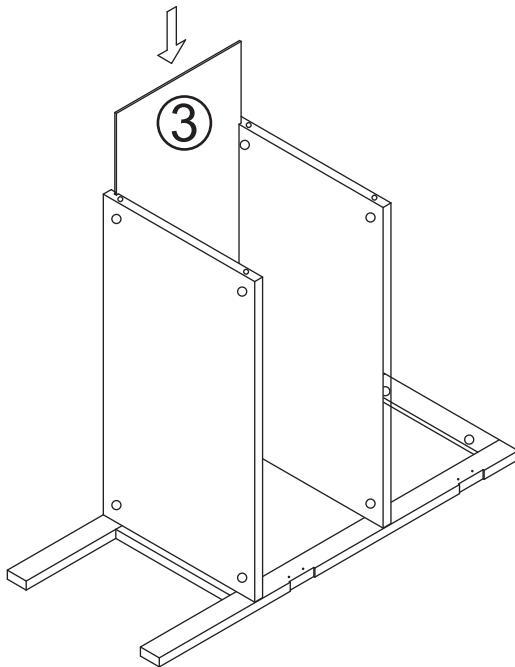
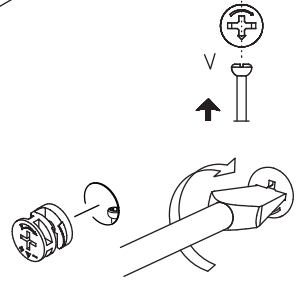
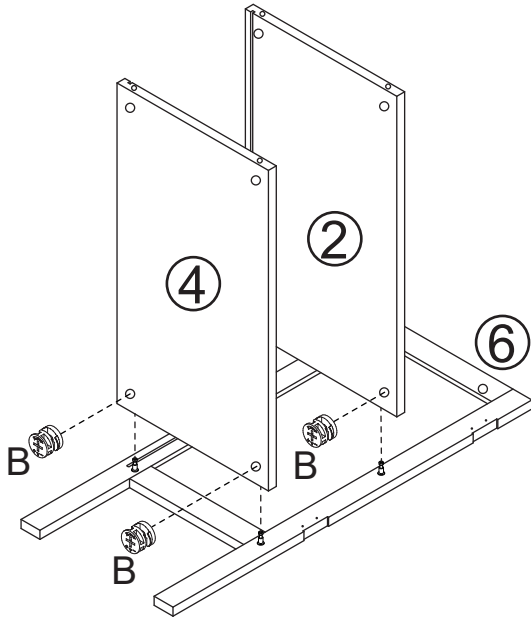


<p>Ax12</p>  <p>6x35mm</p>	<p>Bx12</p>  <p>15x10mm</p>	<p>Cx4</p>  <p>6x30mm</p>	<p>Dx1</p> 	<p>Ex6</p>  <p>3x14mm</p>	<p>Fx4</p> 
<p>Gx18</p>  <p>3x12mm</p>	<p>Hx2</p> 	<p>Ix4</p> 	<p>Jx4</p> 	<p>Kx2</p> 	<p>Lx4</p> 

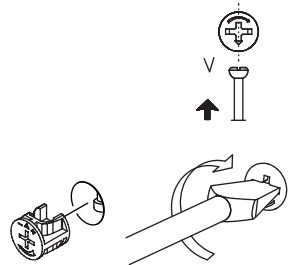
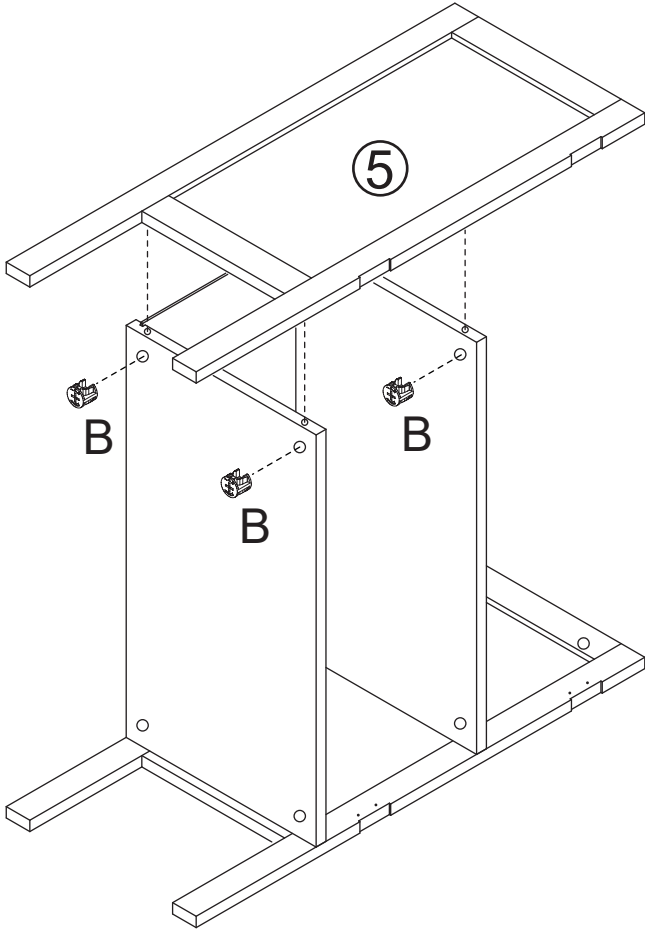
1



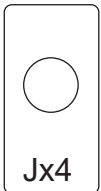
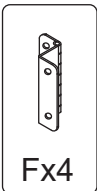
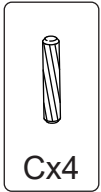
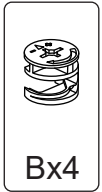
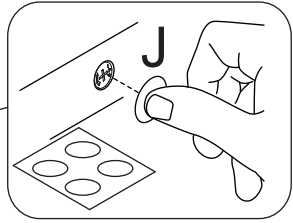
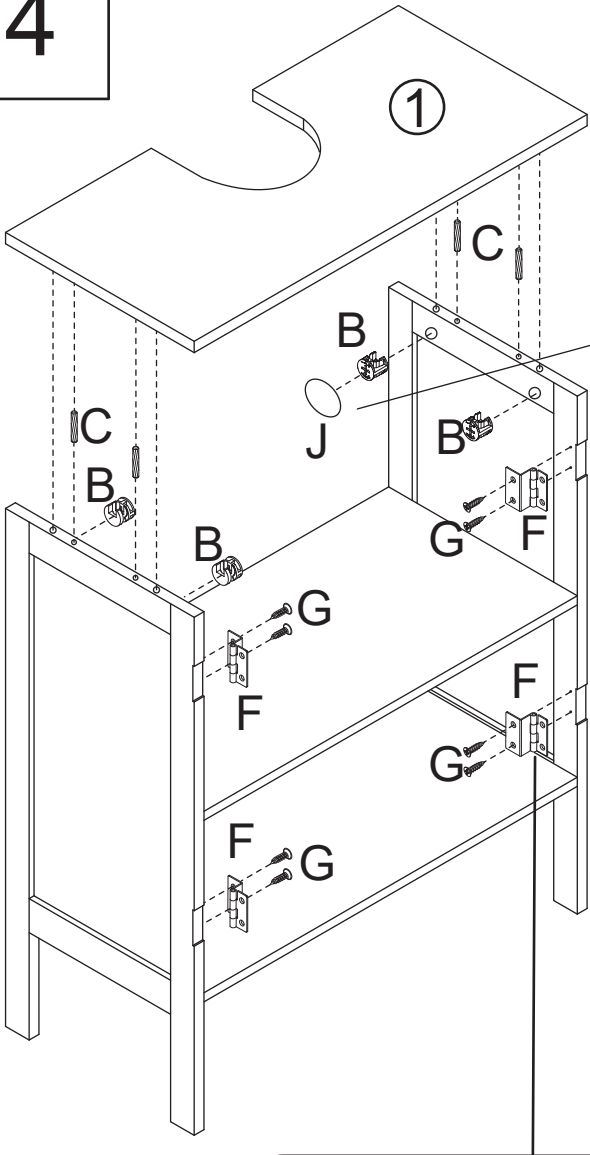
2



3

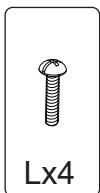
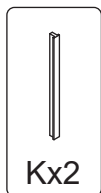
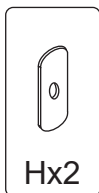
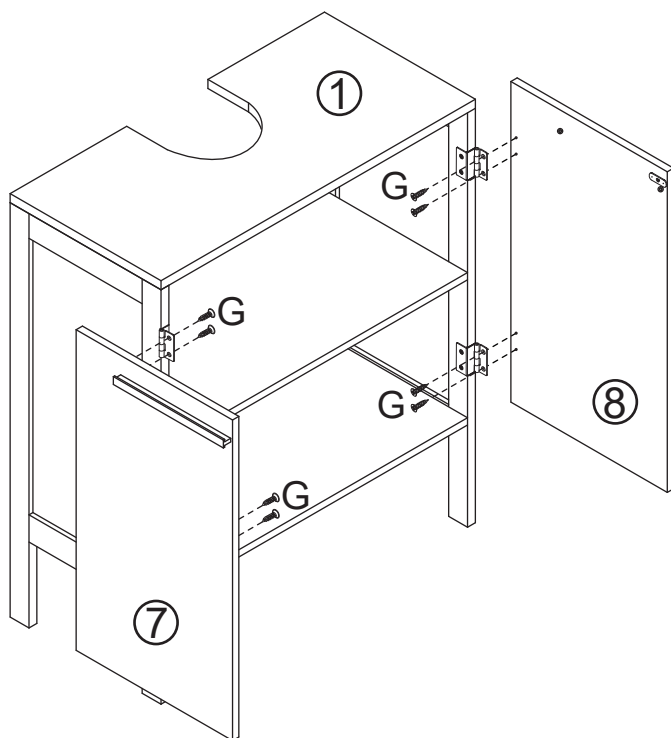
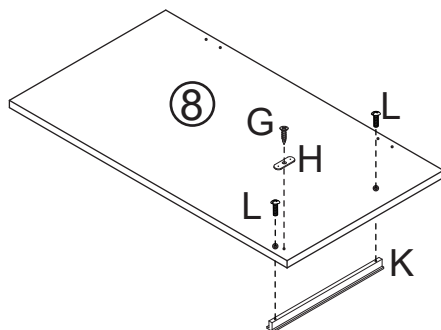
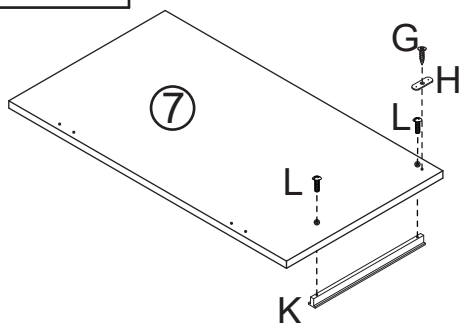


4



S'assurer de fixer les charnières sur la structure dans un premier temps, ensuite fixer les portes.
Please make sure to fix hinges on frame first, then to fix on door.

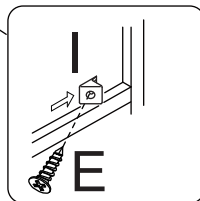
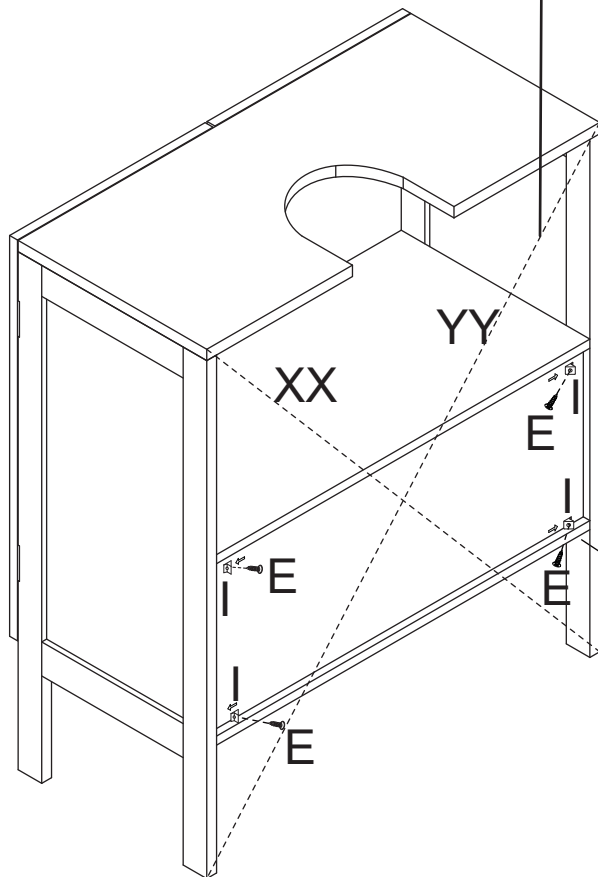
5



6

Avant de fixer "I",
s'assurer que la dimension "XX=YY".

Before fix "I",
please make sure size "XX=YY".



Ex4



Ix4

US



001-877-644-9366
customerservice@aosom.com

CA



001-855-537-6088
customerservice@aosom.ca

UK



0044-800-240-4004
enquiries@mhstar.co.uk

DE



0049-(0)40-88307530
service@aosom.de

FR



0033-1-84166106
contact@aosom.fr

ES



0034-931294512
atencioncliente@aosom.es

IT



0039-0249471447
clienti@aosom.it