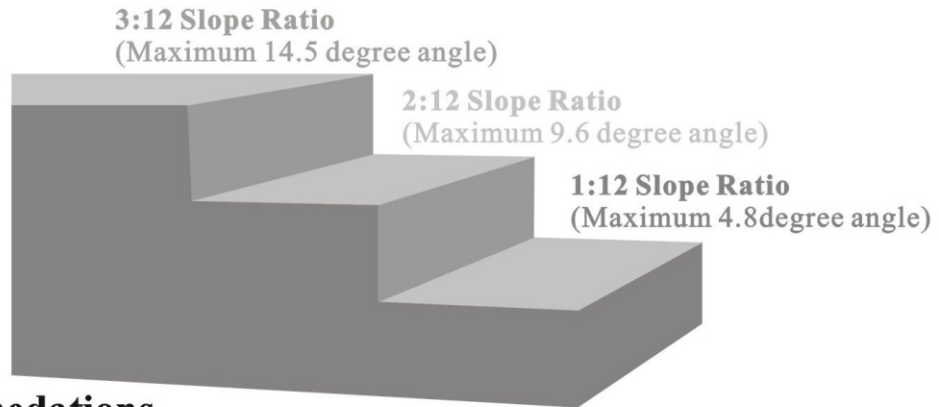


Ramp Selection Quick Reference



NOTE: Check the ramp length, measure the rise height and determine the reasonable slope according to the following recommendations before use.



Slope Recommendations

1:12 slope or maximum 4.8 degree angle:

When a person sitting in the wheelchair/scooter without qualified assistant.

2:12 slope or maximum 9.6 degree angle:

When a person sitting in the wheelchair/scooter while loading with a qualified assistant.

3:12 slope or maximum 14.5 degree angle:

When the wheelchair/scooter is unoccupied (with nobody sitting in).

Slope Chart

Height

									Height								
									14.5°	30in. (76cm)							
									14.5	13.5°	28in. (71cm)						
									13.5	12.5°	26in. (66cm)						
									14.5°	12.5	11.5°	24in. (61cm)					
									13.2°	11.5	10.6°	22in. (56cm)					
									13.8°	12°	10.6	9.6°	20in. (51cm)				
									14.5°	12.4°	10.8°	9.6	8.6°	18in. (46cm)			
									12.8°	11°	9.6°	8.6	7.7°	16in. (41cm)			
									13.5°	11.2°	9.6°	8.4°	7.5	6.7°	14in. (36cm)		
									14.5°	11.5°	9.6°	8.2°	7.2°	6.5	5.7°	12in. (30cm)	
									12°	9.6°	8°	6.8°	6°	5.6	4.8°	10in. (25cm)	
									14.5°	10.8°	8.6°	7.2°	6.2°	5.4°	4.8	4.3°	9in. (23cm)
									12.8°	9.6°	7.7°	6.4°	5.5°	4.8°	4.2	3.8°	8in. (20cm)
									11.2°	8.4°	6.7°	5.6°	4.8°	4.2°	3.6	3.3°	7in. (18cm)
14.5°	9.6°	7.2°	5.7°	4.8°	4.1°	3.6°	3.2	2.9°	6in. (15cm)								
12°	8°	6°	4.8°	4°	3.7°	3°	2.7	2.4°	5in. (13cm)								
9.6°	6.4°	4.8°	3.8°	3.2°	2.7°	2.4°	2.1	1.9°	4in. (10cm)								
7.2°	4.8°	3.6°	2.9°	2.4°	2°	1.8°	1.6	1.4°	3in. (8cm)								
2ft. (61cm)	3ft. (91.5cm)	4ft. (122cm)	5ft. (152.5cm)	6ft. (183cm)	7ft. (213.5cm)	8ft. (244cm)	9ft. (275cm)	10ft. (305cm)									
Ramp Length																	

Ramp Rise

MAXIMUM *OCCUPIED / **UNOCCUPIED HEIGHT LIMIT TO GROUND LEVEL

2' ramp: Occupied loading: 4" maximum, unoccupied loading height: 6"

3' ramp: Occupied loading: 6" maximum, unoccupied loading height: 9"

4' ramp: Occupied loading: 8" maximum, unoccupied loading height: 12"

5' ramp: Occupied loading: 10" maximum, unoccupied loading height: 15"

6' ramp: Occupied loading: 12" maximum, unoccupied loading height: 18"

7' ramp: Occupied loading: 14" maximum, unoccupied loading height: 21"

8' ramp: Occupied loading: 16" maximum, unoccupied loading height: 24"

9' ramp: Occupied loading: 18" maximum, unoccupied loading height: 27"

10' ramp: Occupied loading: 20" maximum, unoccupied loading height: 30"

**Occupied is a person sitting in the wheelchair/scooter while loading (2:12 slope or 9.6 degree angle)*

***Unoccupied is loading with nobody sitting in the wheelchair/scooter (3:12 slope or 14.5 degree angle)*

MAXIMUM WEIGHT CAPACITY IS 600 lbs. (weight rating is based on evenly distributed load on 2 axles)

1. WARNING

- 1.1 **NEVER** exceed the rated capacity of your ramp.
- 1.2 **NEVER** exceed the maximum height limit listed above.
- 1.3 Use caution at all times when loading and unloading.
- 1.4 **ONLY** load and unload onto a stable, level surface.
- 1.5 **NEVER** stand in the path of equipment or vehicle. Keep bystanders and children away.
- 1.6 **DO NOT** leave attached ramps unattended.
- 1.7 Beware of hinged areas. Keep all body parts clear of hinged areas.
- 1.8 Ramp surfaces will have less traction when wet. Use caution.
- 1.9 Always fold and secure ramp with the latches before carrying.
- 1.10 The ramp is not a toy. **DO NOT** use ramp as a jump, scaffold, bridge, ladder or anything other than its designed purpose.
- 1.11 **ALWAYS** make sure the top of the ramp attaching lip is secured onto step, landing or vehicle before using. We strongly recommend using the supplied safety pins to prevent ramp kick out.
- 1.12 **ALWAYS** follow manufacturer recommendations for chair or scooter.

2. OPERATION GUIDANCE

2.1 Loading wheelchair:

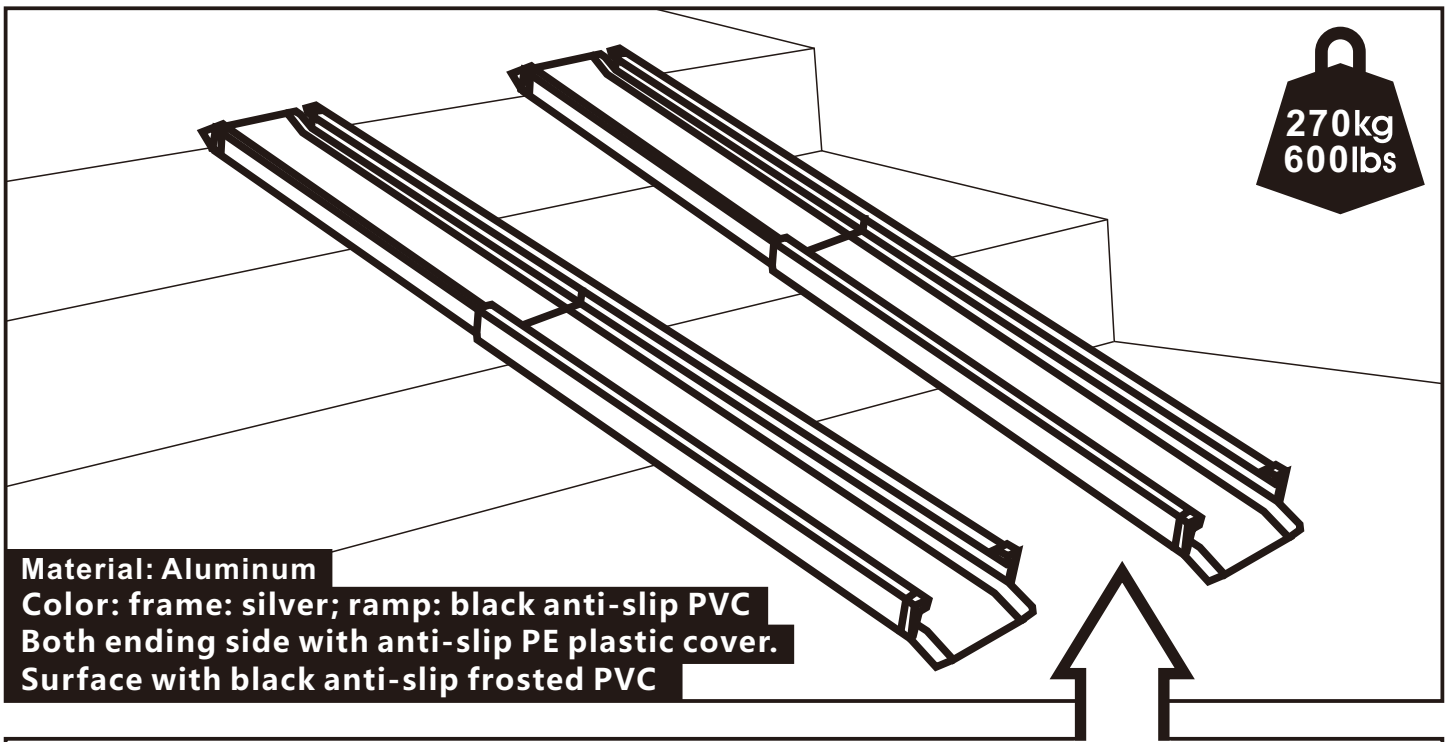
- a. Position the wheelchair in the direction of the ramp with front wheel forward. Roll or ride the wheelchair slowly and steadily up the ramp, ensuring that the wheels follow the center of the ramp.
- b. Take extra care in wet conditions to ensure the wheels do not slide on the ramp.

2.2 Unloading wheelchair:

- a. Position the ramp as detailed above directly behind the rear wheel of the wheelchair. Allow the wheelchair to roll backwards down the ramp, ensuring the wheels follow the center of the ramp.
- b. Always have a qualified assistant present when using the ramp.

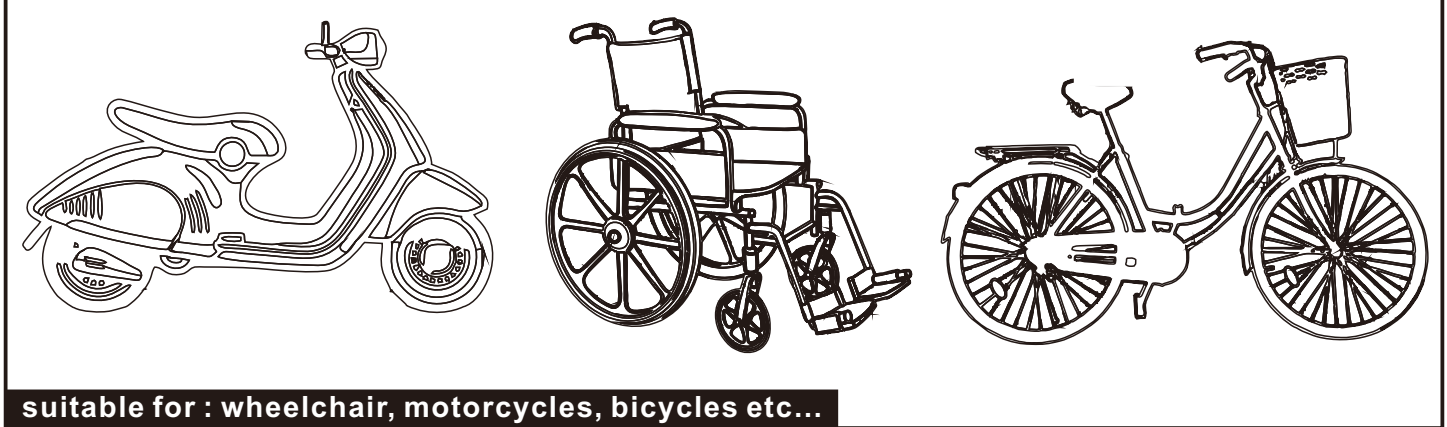
3. MAINTENANCE

- 3.1 It is the user's responsibility to check the loading ramp and components before each and every use. If the ramp is damaged, it should NOT be used.
- 3.2 Maintain the ramp by regular cleaning. Periodically lubricate the hinges.

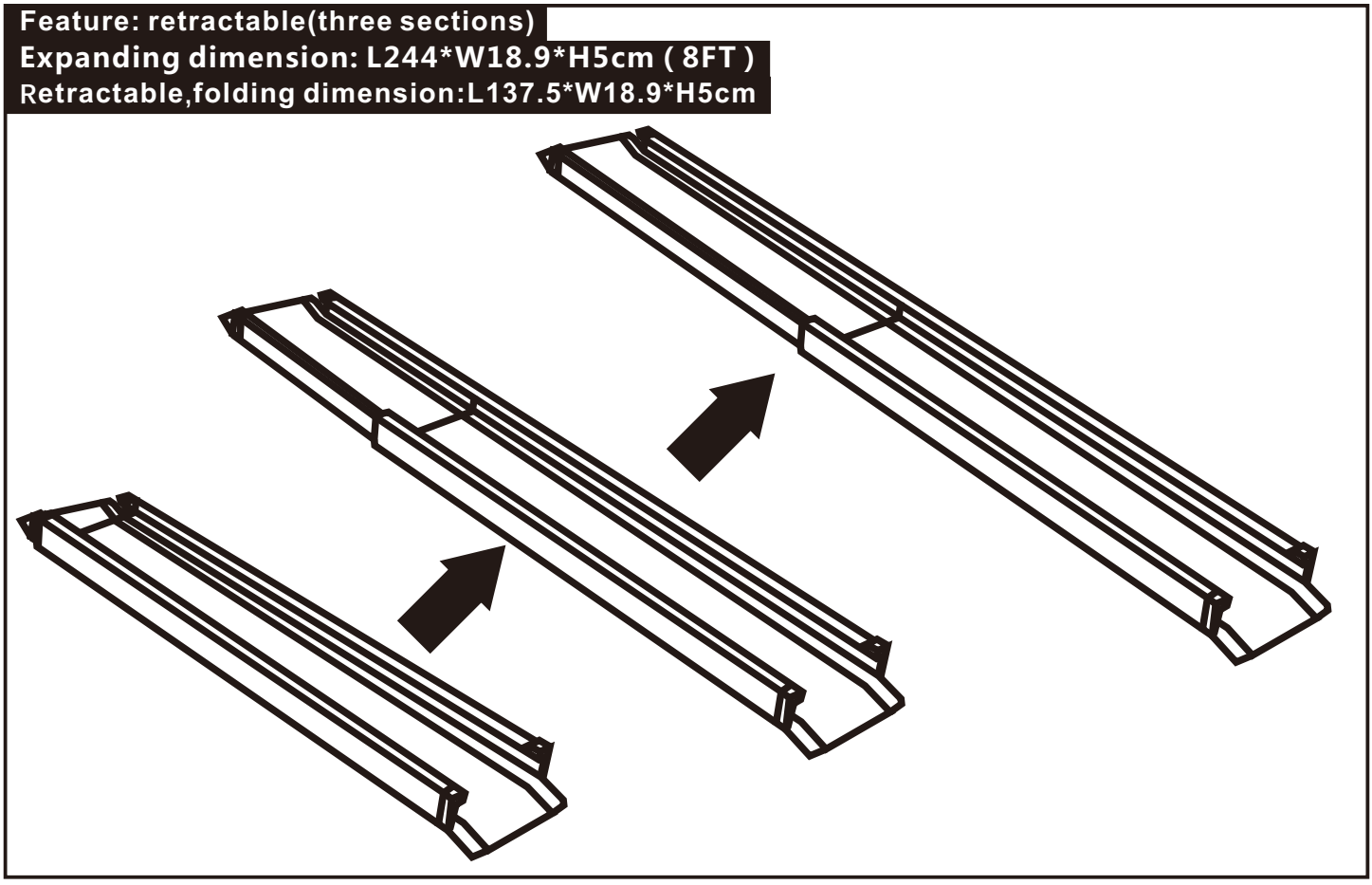


270kg
600lbs

Material: Aluminum
Color: frame: silver; ramp: black anti-slip PVC
Both ending side with anti-slip PE plastic cover.
Surface with black anti-slip frosted PVC



suitable for : wheelchair, motorcycles, bicycles etc...



Feature: retractable(three sections)
Expanding dimension: L244*W18.9*H5cm (8FT)
Retractable,folding dimension:L137.5*W18.9*H5cm

US



001-877-644-9366
customerservice@aosom.com

CA



001-855-537-6088
customerservice@aosom.ca

UK



0044-800-240-4004
enquiries@mhstar.co.uk

DE



0049-(0)40-88307530
service@aosom.de

FR



0033-1-84166106
contact@aosom.fr

ES



0034-931294512
atencioncliente@aosom.es

IT



0039-0249471447
clienti@aosom.it