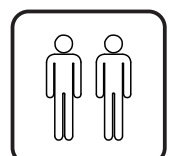
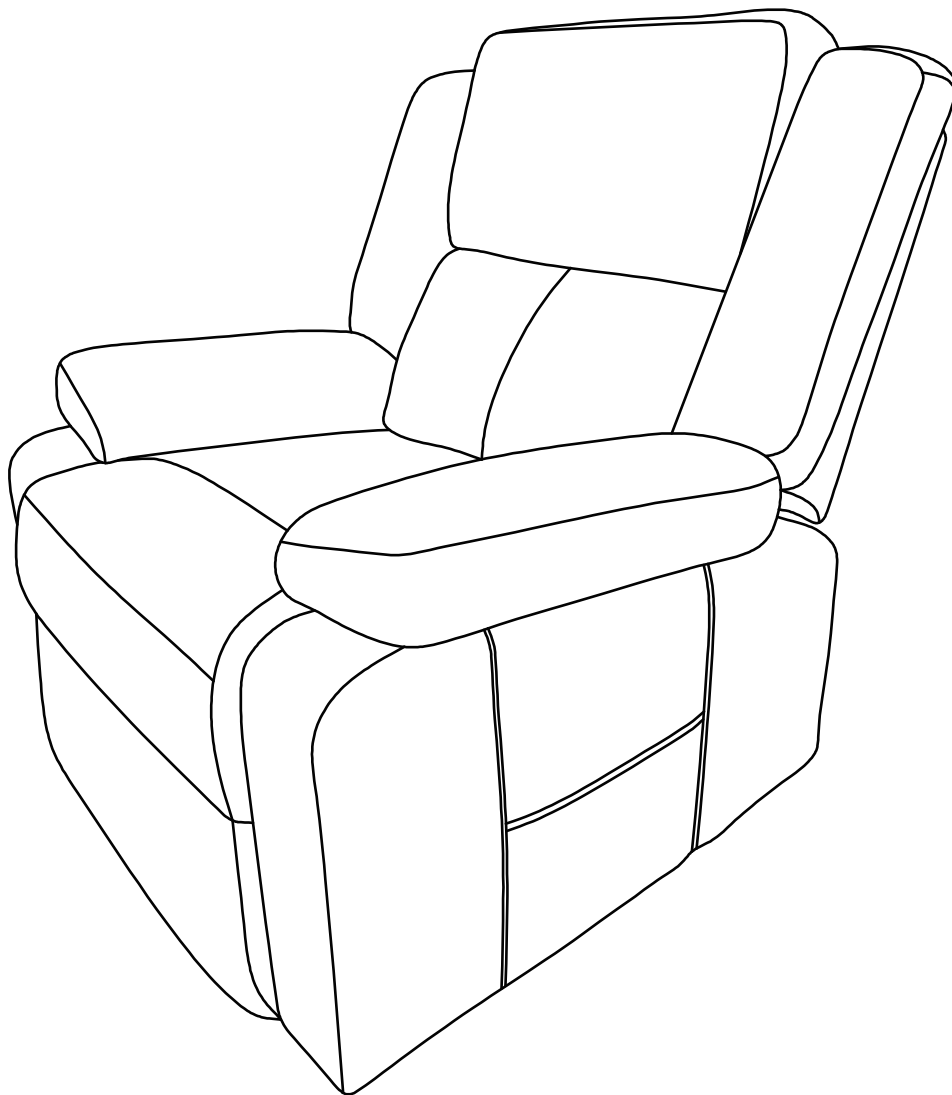




INcxa059_US

713-134V80



IMPORTANT, RETAIN FOR FUTURE REFERENCE: READ CAREFULLY

ASSEMBLY INSTRUCTION

Chairs

IMPORTANT, RETAIN FOR FUTURE REFERENCE: READ CAREFULLY

Only for domestic use

Instructions for use:

- *Put the chair stably on a flat floor.
- *Building the chairs in good condition.
- *Stay away from open flames.
- *Avoid the overload at the chair.

Precautions before assembly:

- *Prepare a clean and dry mounting area.
- *Verify that the product is not damaged.
- *Check that none of the pieces are missing.

Maintenance:

- *Clean with a soft fabric.
- *Regularly remove leaves and / or water collected on the canvas.
- *Check the seating regularly.

Storage conditions:

*The fabric should be stored completely dry, in a clean and dry place to avoid the risks of mold.

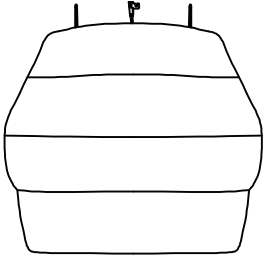
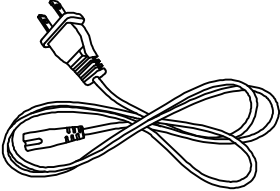

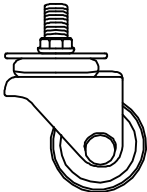
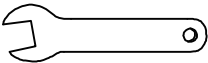
Beware of crushing and cutting hazards during assembly.

The manufacturer declines all responsibility in case of damages due to a bad installation or withering.

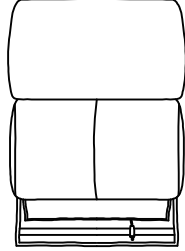
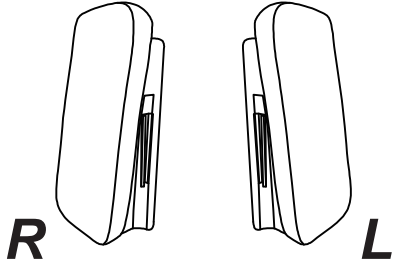
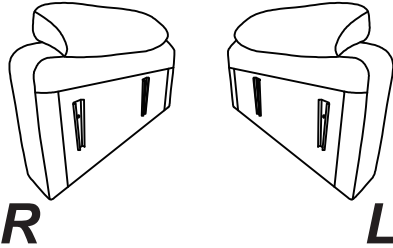
If the seating is fitted with powered seat height adjustments, only trained personnel may replace or repair those components.

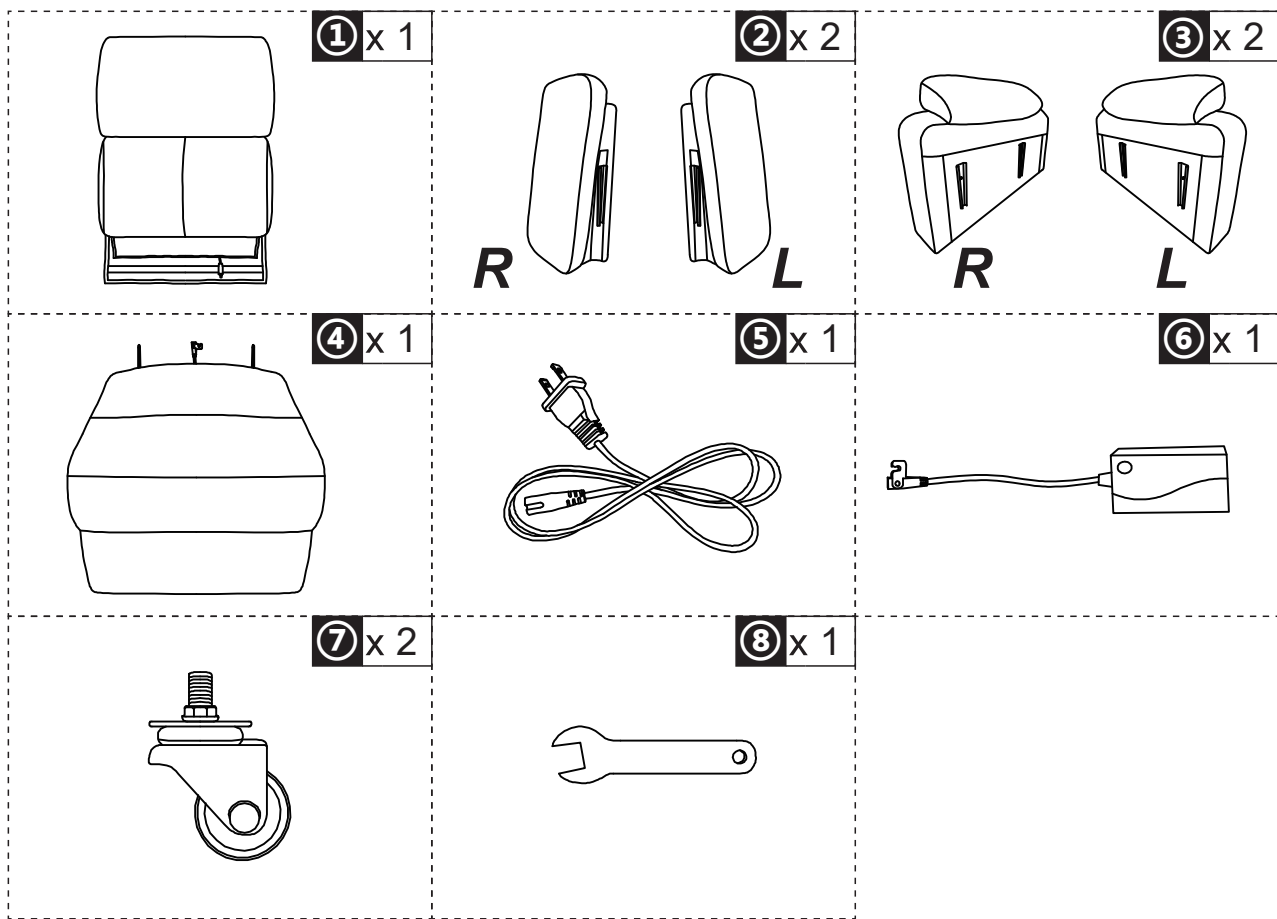
PACKING DETAILS: TOTAL 2 BOXES

BOX-1/2

NO.	PARTS	QTY
4		1
5		1
6		1
7		2
8		1

BOX-2/2

NO.	PARTS	QTY
1		1
2		2
3		2

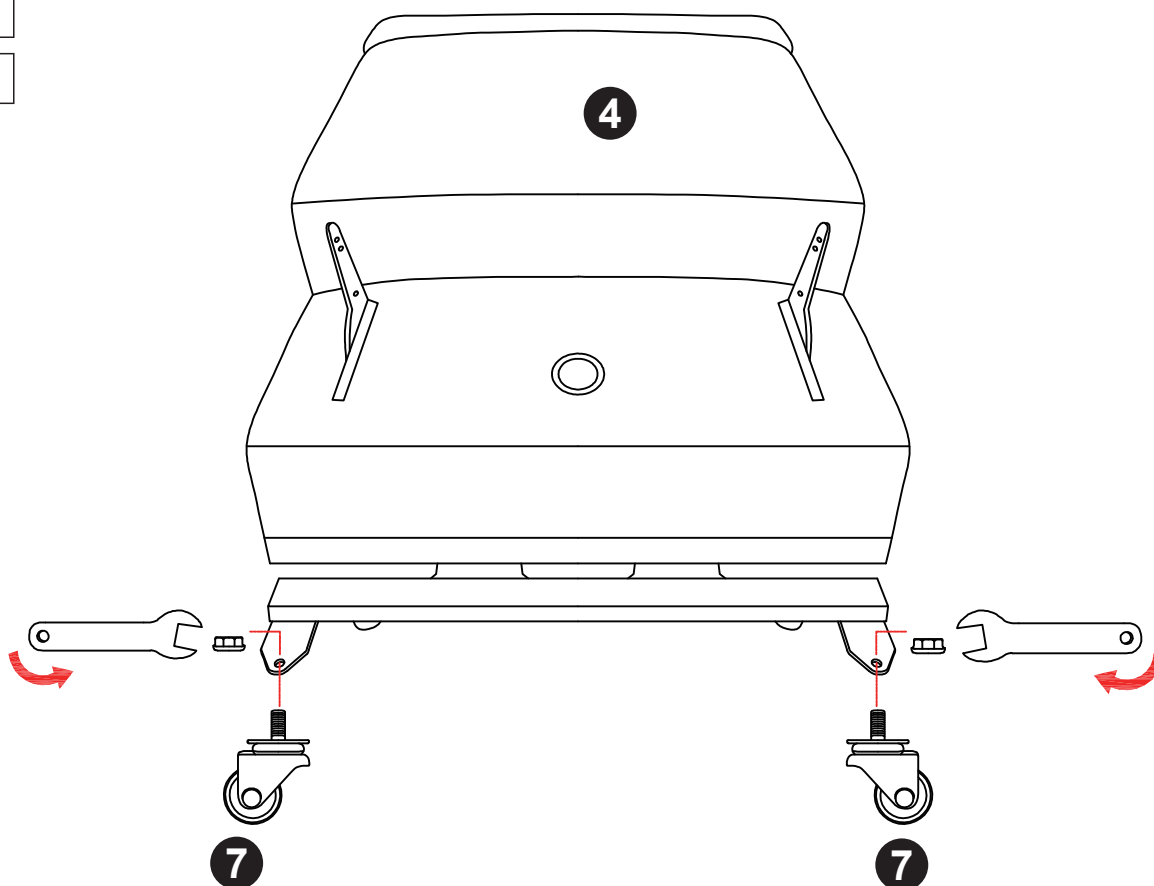


④ x 1

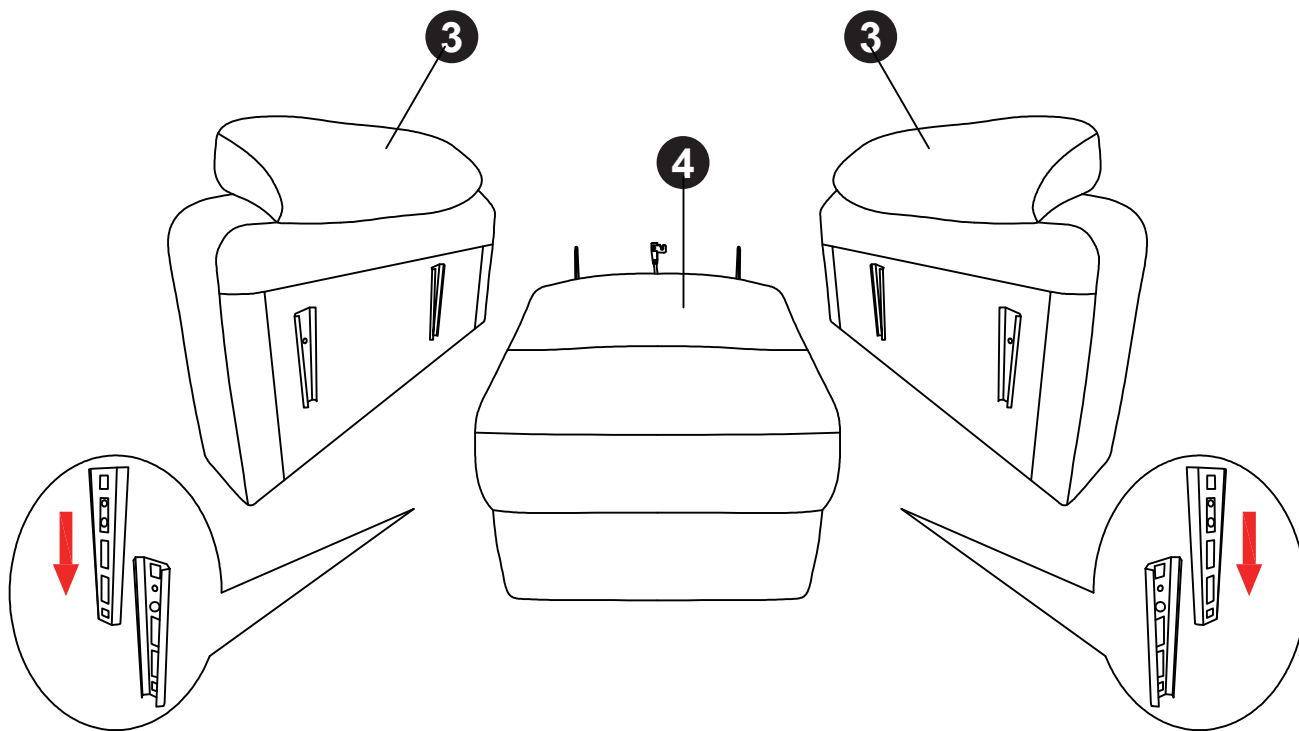
⑦ x 2

⑧ x 1

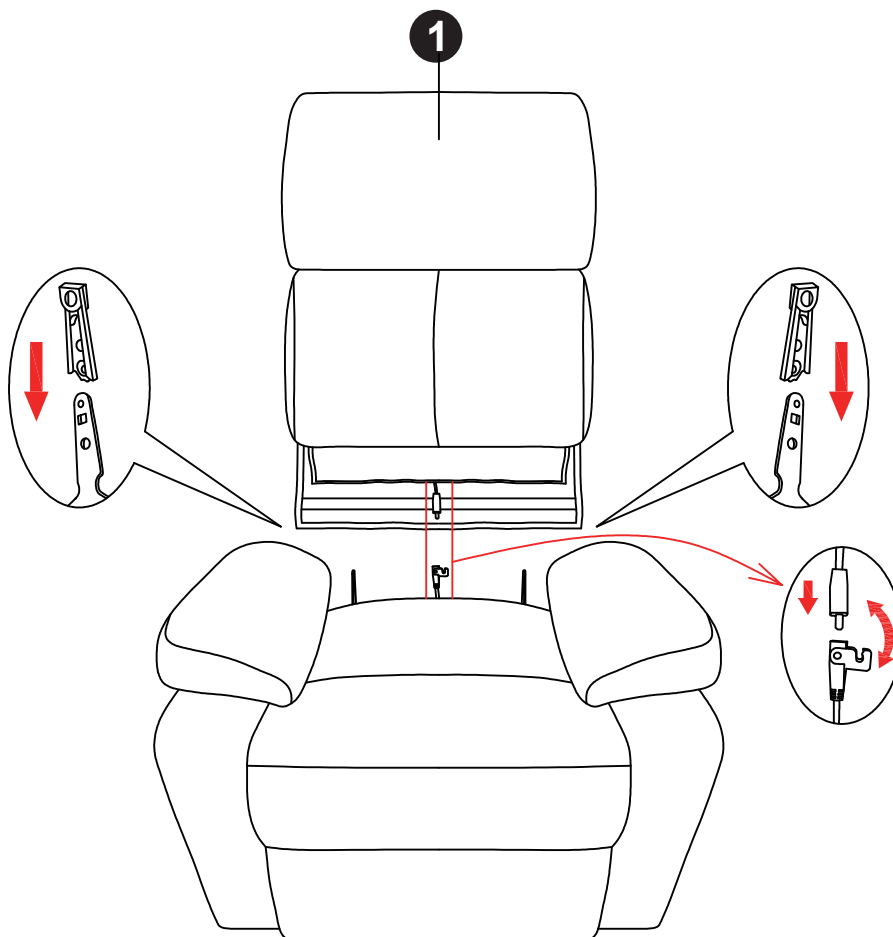
01



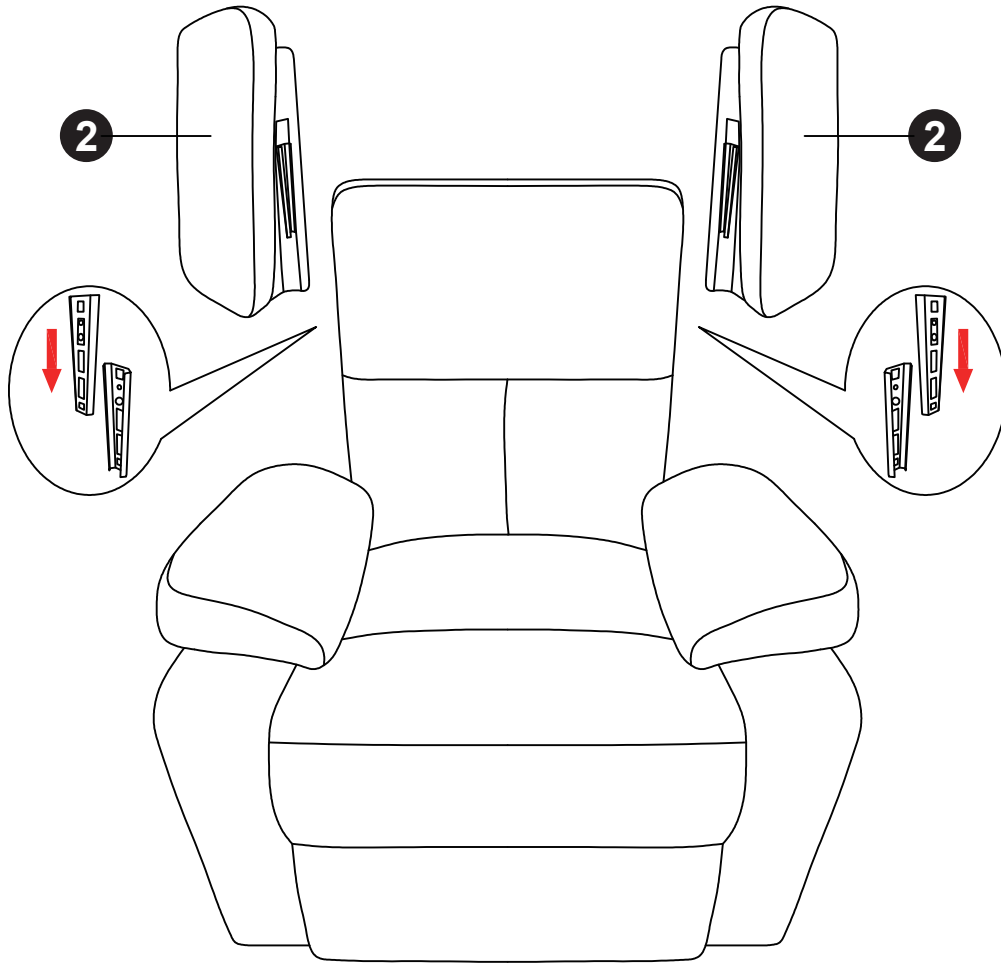
③ x 2



① x 1

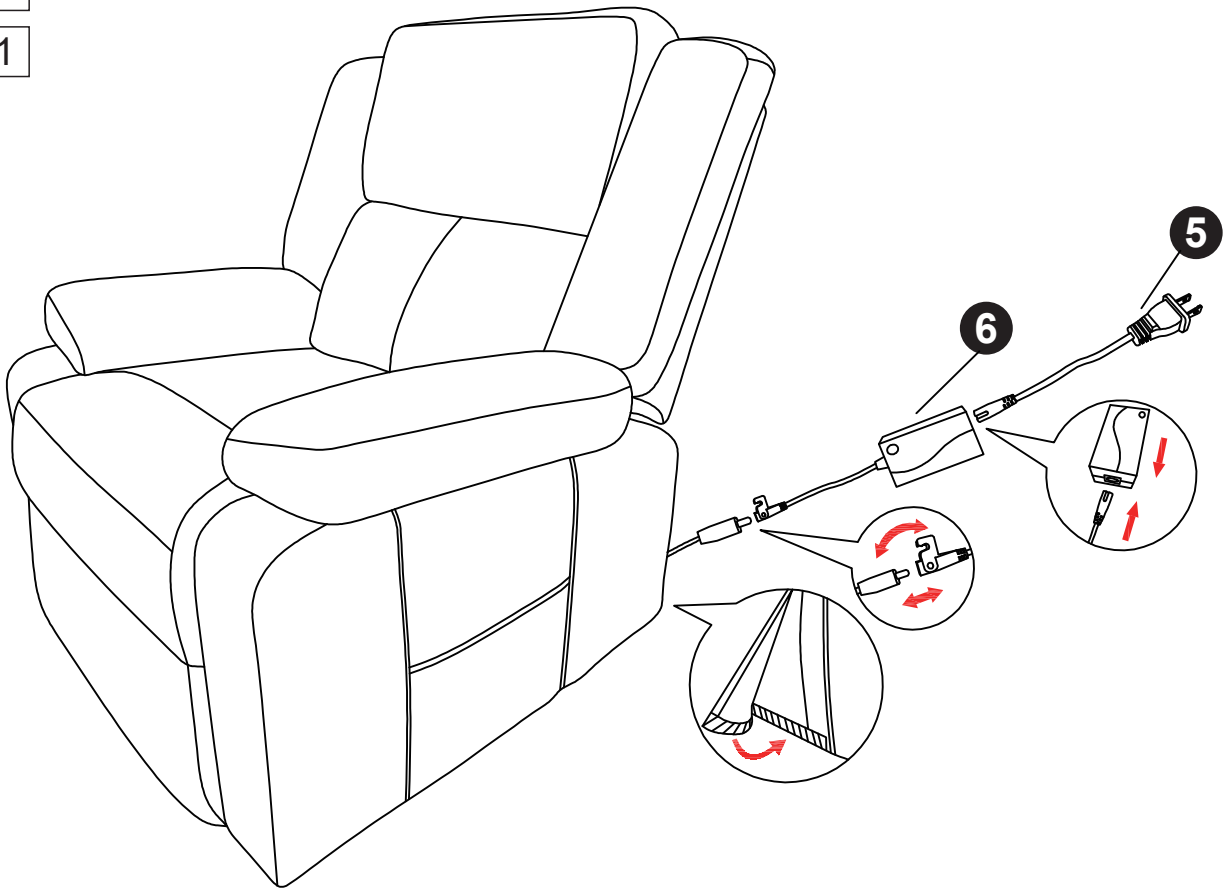


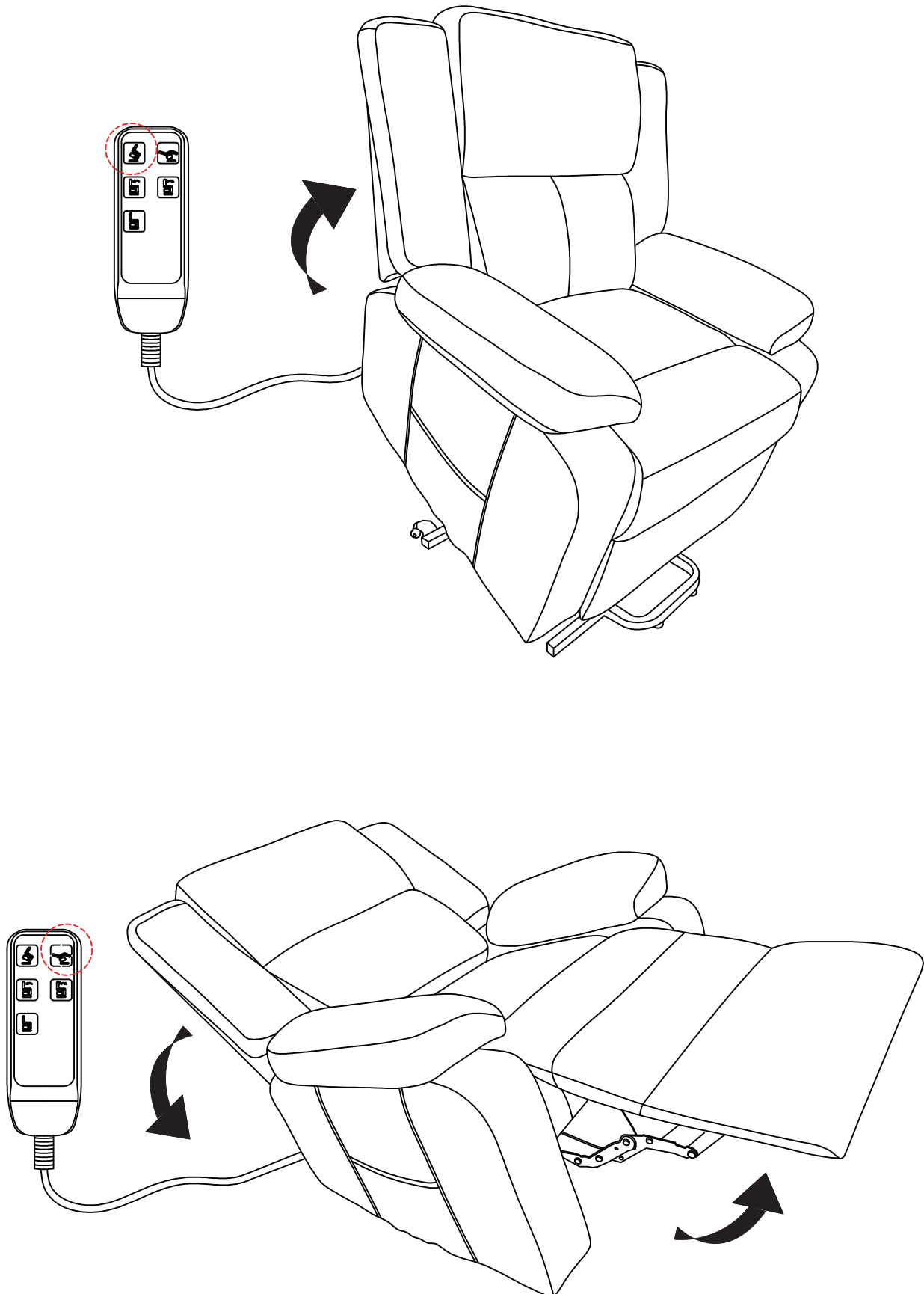
② x 2



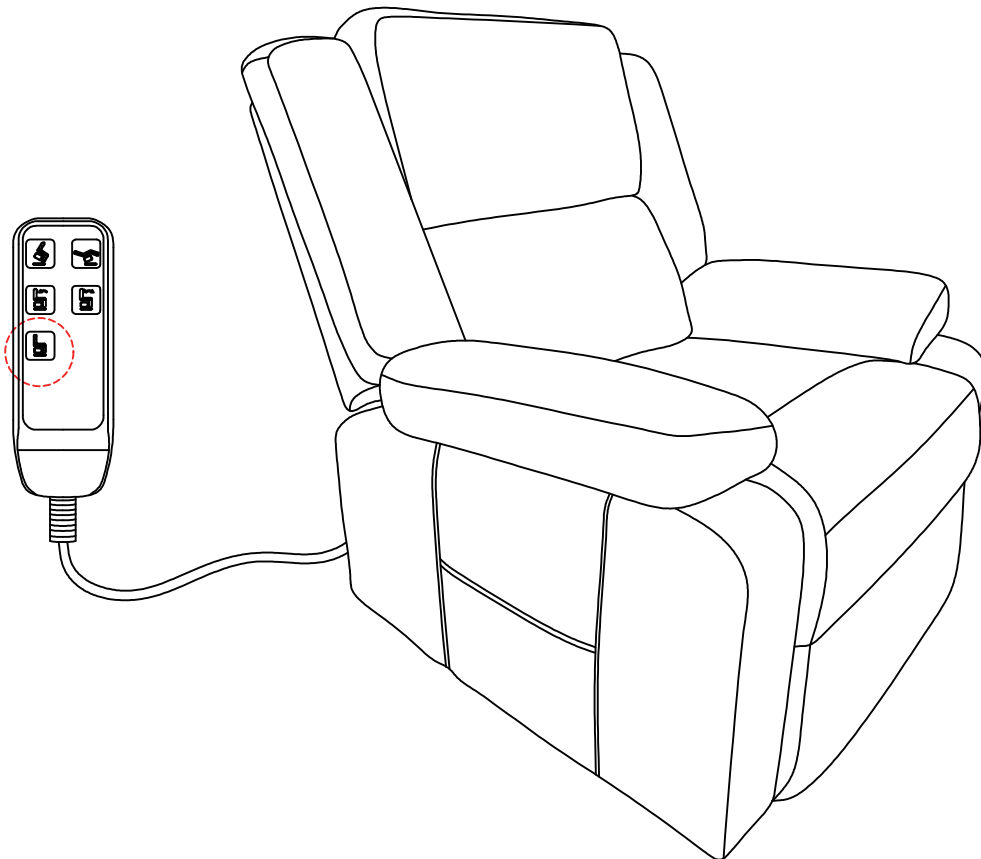
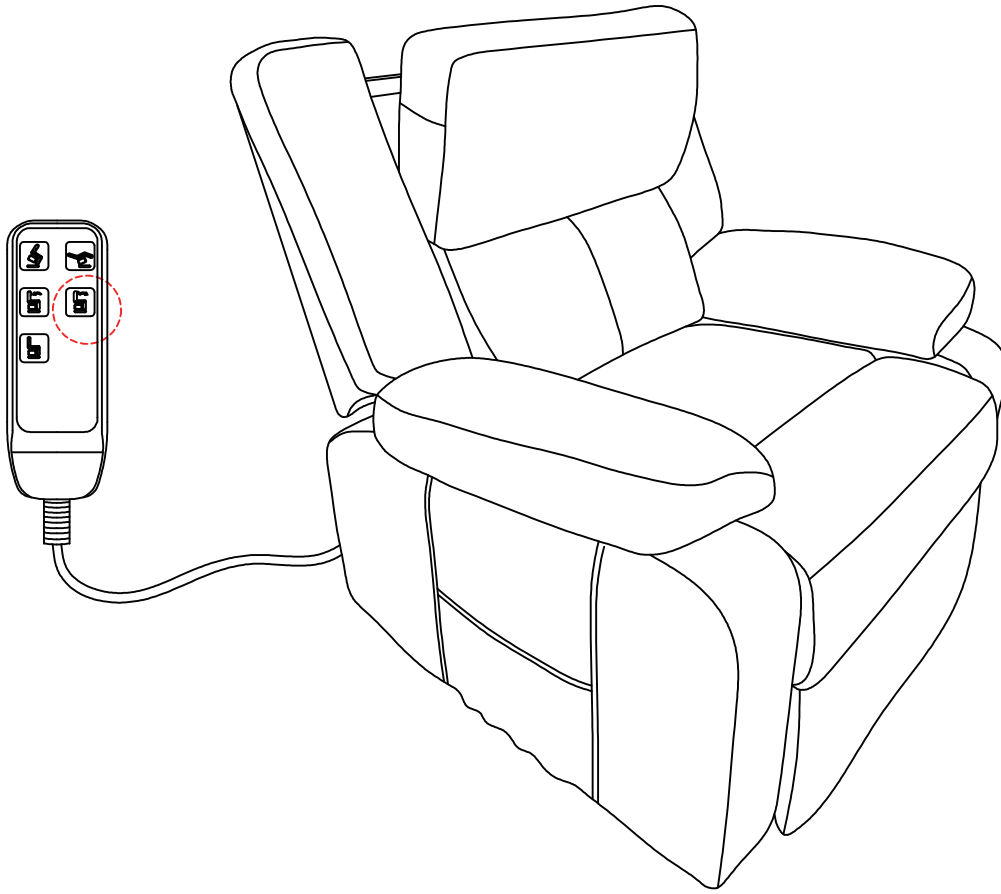
⑤ x 1

⑥ x 1








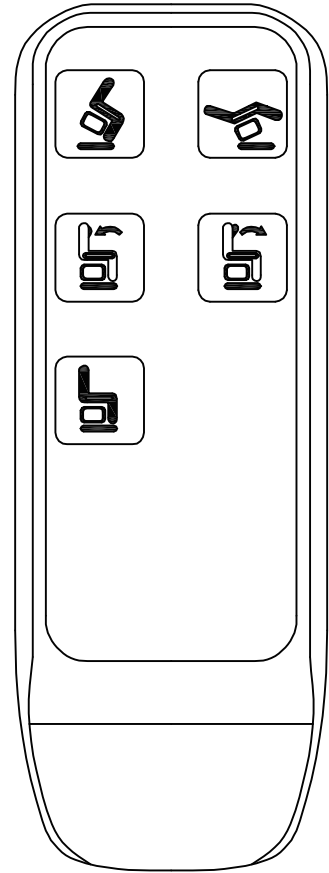


Zero gravity function: refers to the inclination of the functional chair to simulate the inclination of the chair when astronauts are in outer space. When the functional chair is parallel to the ground, the weight of our body will be completely borne by the functional chair, which is zero pressure. We will feel a "sense of loss" after lacking pressure, and will be in the best relaxed state, making our body and mind more relaxed.



I. Lift and Recliner Function

1.  Lifts Chair/Up the backrest/Closes footrest.
2.  Lowers chair/Lower the backrest/Opens footrest.
3.  restore headrest.
4.  open headrest.
5.  RST After the zero gravity mechanism is retracted in place, the main mechanism returns to the middle reset point, The headrest mechanism retracted to the starting position; Press any key to stop working during operation.



Warning:

Never press both buttons together as this will damage your chair. Never stand up while the chair is still working in order to avoiding accident.

II. Precautions

1. Indoor use;
2. Keep the air dry;
3. Ambient Temperature: -15°C to $+45^{\circ}\text{C}$;
4. Usage frequency: 10%, work for 2 minutes and rest for 18 minutes;
5. When the electric push rod works normally, the load cannot be greater than its maximum load.
6. In the process of use, when encountering abnormal conditions, the electric push rod cannot work normally, please do not open it without authorization Inspection and maintenance shall be maintained and inspected by professionals.

115V

230V

	115V	230V	
Model:	YH-A290020-A	YH-A290020-A	
Input voltage	100-240	100-240	V
Input AC frequency	50-60	50-60	Hz
Output voltage	29	29	V
Output current	2.0	2.0	A
Output power	58	58	W
Average active efficiency	88.21%	88.43%	%
Efficiency at low load (10 %)	88.21%	88.43%	%
No-load power consumption	0.041	0.112	W