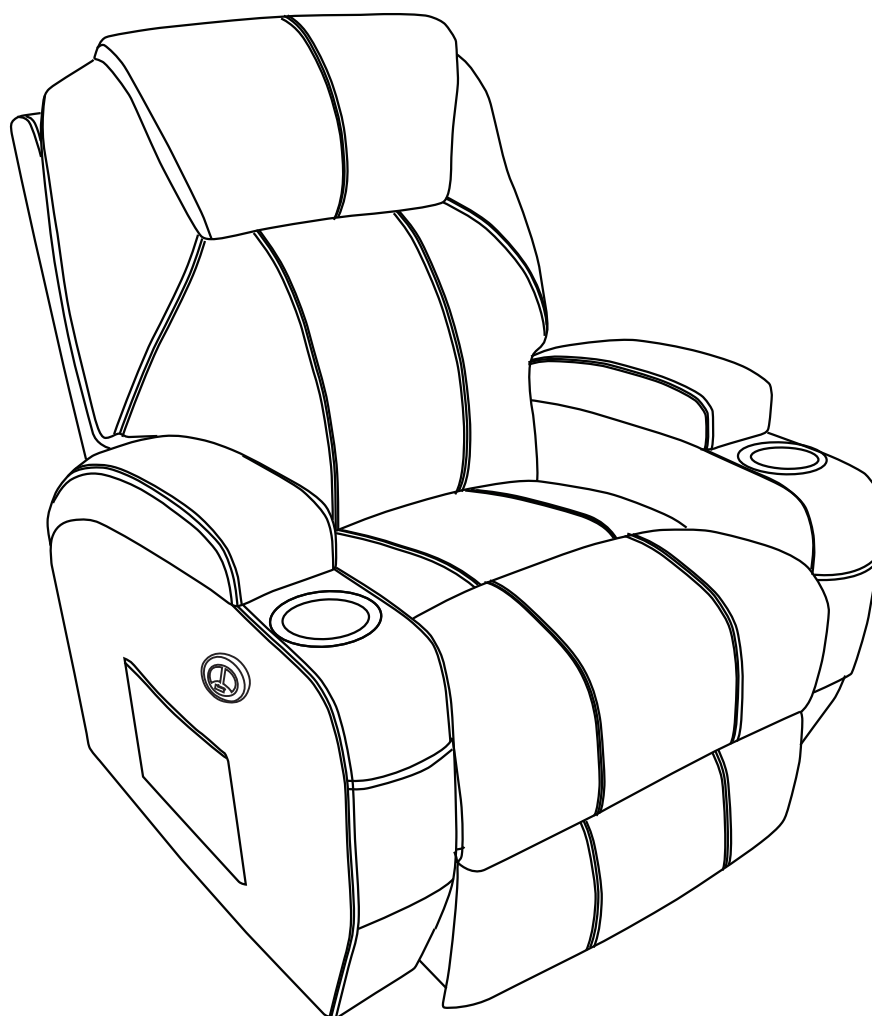




INcxb019\_US

**700-129V82**



## **ELECTRIC MASSAGE CHAIR**

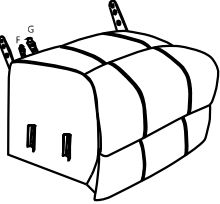
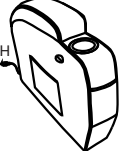

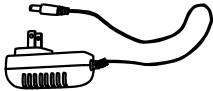


**IMPORTANT, RETAIN FOR FUTURE REFERENCE: READ CAREFULLY.**

# **ASSEMBLY INSTRUCTIONS**


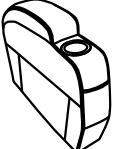


# PACKING DETAILS : TOTAL 2 BOXES

## BOX 1/2

PART NO.	PARTS	QTY
(2)		×1
(3)R		×1
(4)		×1
(5)		×1
(6)		×1
(7)		×1

## BOX 2/2

PART NO.	PARTS	QTY
(1)		×1
(3)L		×1

We're excited for you to regain your independence with Homcom! To ensure the best experience, please read this guide carefully before using your new Electric Reclining Chair.

Be sure to keep this manual close by, preferably in your chair pocket so that you can always refer to it as needed.



Safety Rules.....	4
Electric Reclining Chair Parts.....	6
Heat/Massage Remote.....	7
How to use the massage features.....	8
Massage Areas.....	9
Assembly Instructions.....	10
Troubleshooting.....	11

# SAFETY RULES

- Never set the Electric Reclining Chair in wet/damp areas or where dust can accumulate as these could cause an electrical fault or a mechanical dysfunction.
- Never use the Electric Reclining Chair inside your home if the room temperature is over 90°F.
- Never place the Electric Reclining Chair near a heat source(oven,chimney,fernace etc...) or in direct sunlight.

## **Do Not use the Electric Redining Chair if:**

- The Electric Reclining Chair is wet.
- Your hands are wet.
- Only clean the chair with a dry cloth.
- It's advisable not to use the heat or massage feature for more than 30 minutes at a time and that you drink 2 glasses of water after using it.

## **Situations where you should not use the Electric Redining Chair :**

Switch the Electric Reclining Chair 's massage system off if it gets wet or seems not to be working properly,if any part of theElectric Reclining Chair is damaged or malfunctioning,if any part of the Electric Reclining Chair appears to be damaged or wiring is exposed,if you feel unwell or feel any pain during the massage,or if ther has been a general electrical fault.

## **Usage:**

- Indoors, avoid high temperatures and wet or damp areas.

## **Precaution:**

- Never sit on the remote or place heavy objects on top of it.
- Do not drop the remote on the floor.
- Do not tug on the electric cable.
- Do not use the remote with wet fingers.
- Do not press or touch the buttons with sharp objects.
- Never unplug the remote without first turning the power off.
- The Electric Reclining Chair should rest for 30 minutes after it has been used for 30 minutes.

## **When the massage system of the Electric Reclining Chair is not in use:**

- Make sure it is switched off.
- Unplug the lift chair's massage system from the wall outlet when you are not going to use it for long periods of time.
- Keep the Electric Reclining Chair in a clean and dry place.

## Do not disassemble the Electric Reclining Chair :

- Do not remove the back of the Electric Reclining Chair .
- Do not try to disassemble or repair the Electric Reclining Chair yourself.

## Correct way to handle the electrical plug:

- Check that you have the right voltage.
- Never use force on the cable or plug.
- Never pull the cable with wet hands.
- When removing the plug, hold the plug itself, do not pull on the cable.
- Do not use the Electric Reclining Chair system if either the cable or the plug are damaged.

## Electric Reclining Chair Parts:

1) Back

2) Armrests

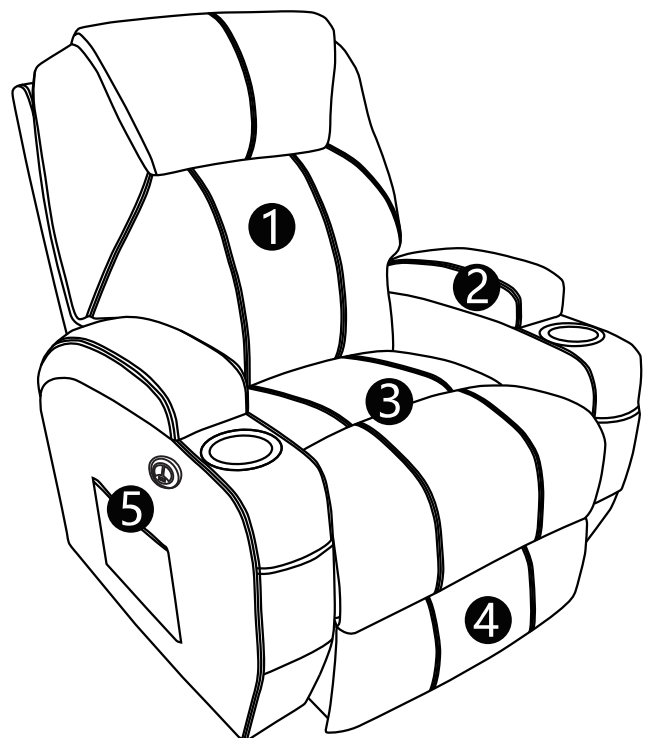
3) Seat

4) Footrest

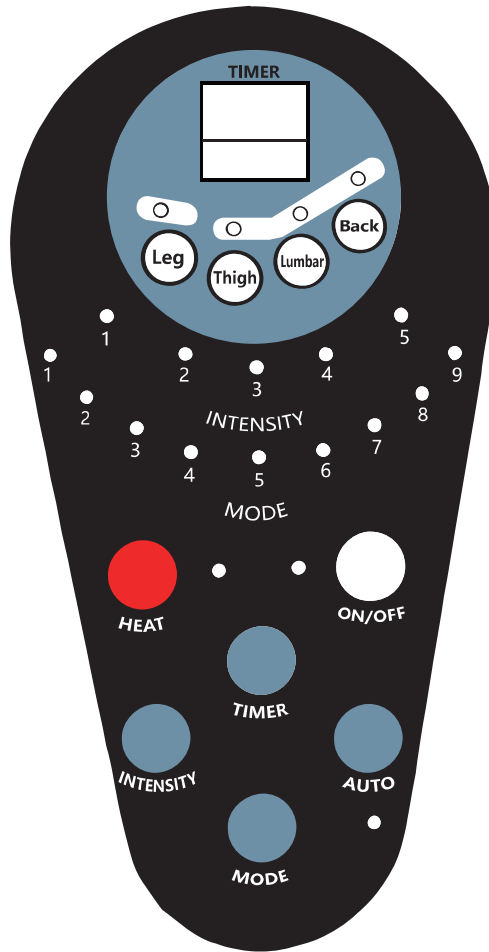
5) 2 Control units

---Heat / Massage Remote

---Electric Recliner button



# Functional Description of Massager



## 1. Graphic presentation of Controller

1. **ON/OFF:** turn on/off selection key
2. **HEAT:** heating on/off key
3. **INTENSITY:** five speed selection key
4. **MODE:** working mode selection key
5. **BACK:** back massage function selection key
6. **LUMBAR:** lumbar massage function selection key
7. **THIGH:** thigh massage function selection key
8. **LEG:** leg massage function selection key
9. **TIMER:** set working time key
10. **AUTO:** automatic mode key

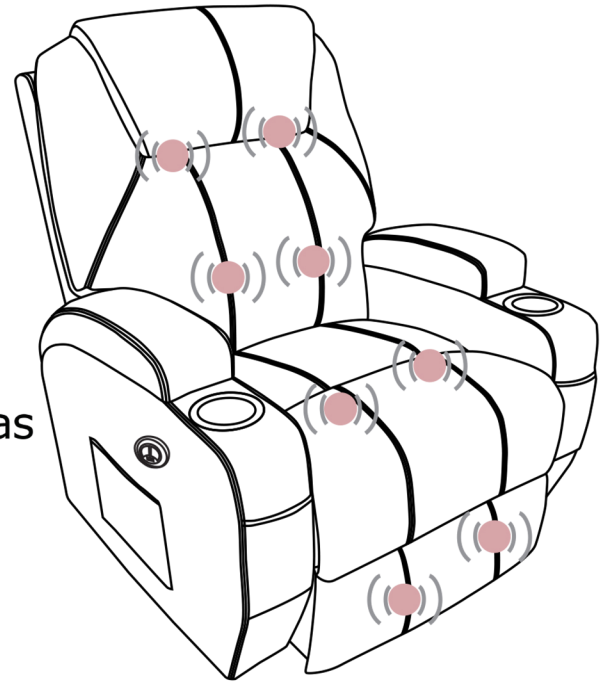
## II. Operating Instructions

1. Insert the power into the DC socket.
2. Press the ON/OFF key to start the unit, when the unit will enter the first mode to run for 10min in the medium step, with all the corresponding indicators illuminated.
3. Press the HEAT to turn on the heating function.
4. Press the TIMER key, the unit's control time will switch between 10min, 20min and 30min.
5. Press the FUNCTION key to select different working modes.
6. Press the INTENSITY key to select the five speed the intensity of vibration.
7. Press the BACK, LUMBAR and THIGH key will to massage the different places of the body.
8. Press the AUTO, will switch with automatic working mode.



## Massage Areas

•The Electric Reclining Chair has 8 vibrating massage points for 2 points in 4 areas: Back, Lumbar, Thighs, Legs. Each Region can be controlled by the massage remote as well as the type of massage pattern and intensity.



115V

230V

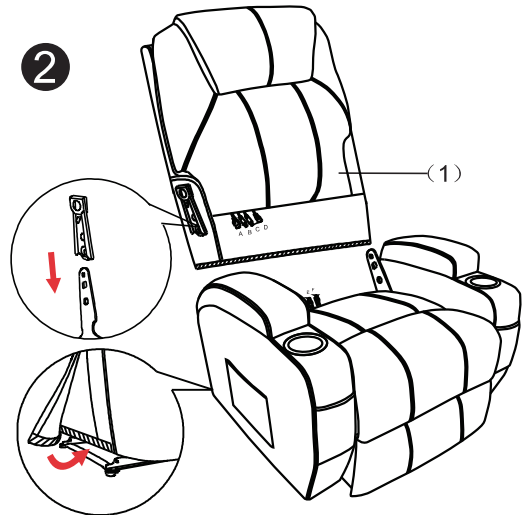
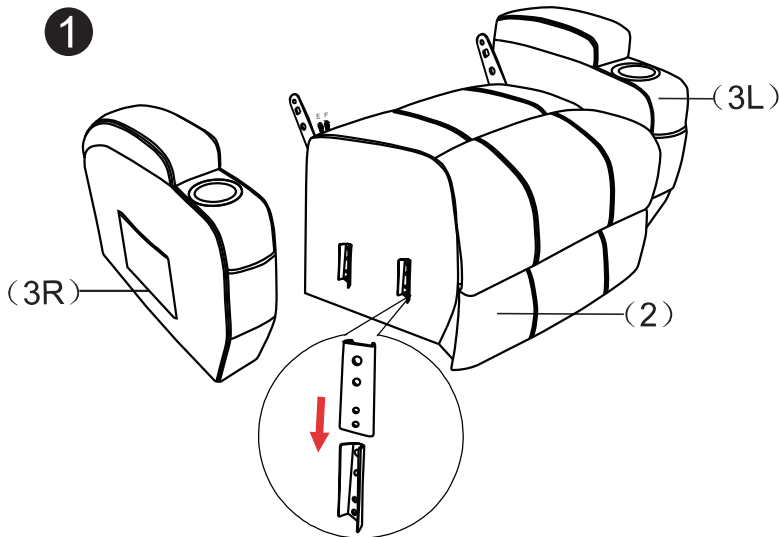
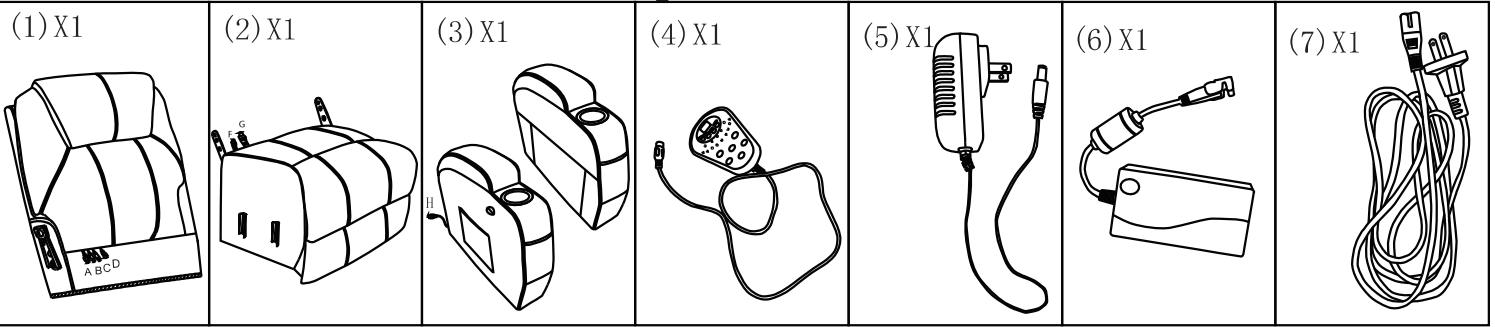
	115V	230V	
Model	RSS1002-144120-W2	RSS1002-144120-W2	
Input voltage	100-240	100-240	V
Input AC frequency	50-60	50-60	Hz
Output voltage	12	12	V
Output current	1.2	1.2	A
Output power	14.4	14.4	W
Average active efficiency	85.8	85.1	%
Efficiency at low load (10 %)	78.61	75.43	%
No-load power consumption	0.08	0.099	W

115V

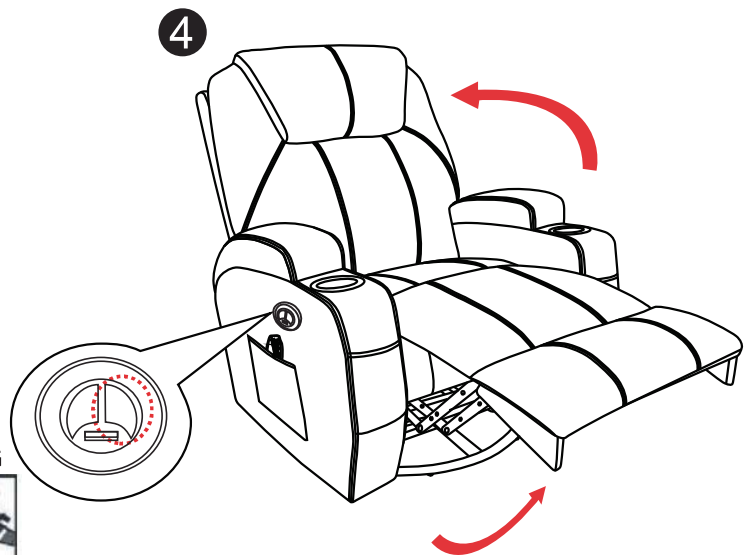
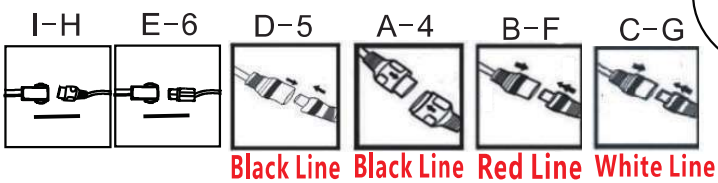
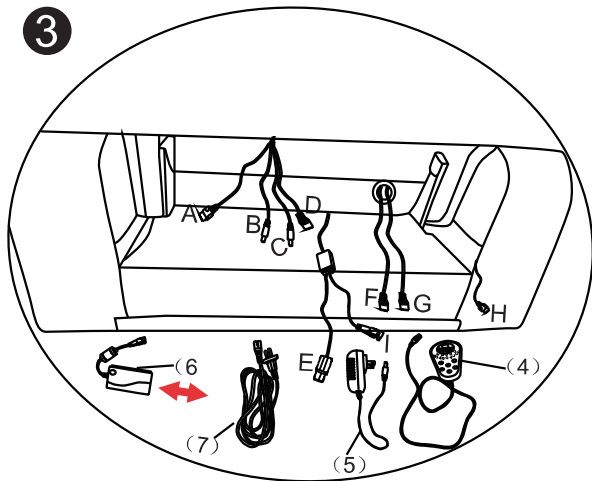
230V

	115V	230V	
Model:	YH-A290015-A	RSS1002-072120-W2	
Input voltage	100-240	100-240	V
Input AC frequency	50-60	50-60	Hz
Output voltage	29	29	V
Output current	1.5	1.5	A
Output power	43.5	43.5	W
Average active efficiency	88.17%	82.46	%
Efficiency at low load (10 %)	88.17%	70.11	%
No-load power consumption	0.039	0.09	W

# Assembly Instructions:



1.2) Position the Arms and Back so that they fit into the seat, you will hear a "click" when they are in place.



4) When you want to recline, press the button one time; when you want to stop, press it one time again.

## Troubleshooting:

If the Electric Reclining Chair is not working, check the following chart. Make sure you turn the power off and unplug from the mains. If you have any questions, please contact us. Do not disassemble or repair any part of the Electric Reclining Chair yourself.

### PROBLEM

### POSSIBLE CAUSE

There is a noise during the massage

The noise caused by the massage motors, not a fault in the Electric Reclining Chair.

The Electric Reclining Chair does not function?

Check that the AC plug is pushed into the mains properly. Check whether the Power supply button is on.