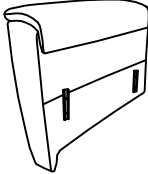
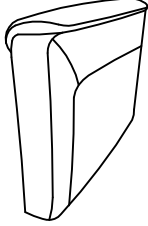


READ AND SAVE THIS INSTRUCTION FOR FUTURE USE

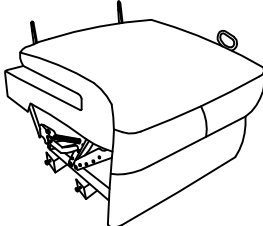

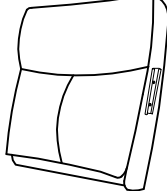
ASSEMBLY INSTRUCTION

PACKING DETAILS: TOTAL 4 BOXES

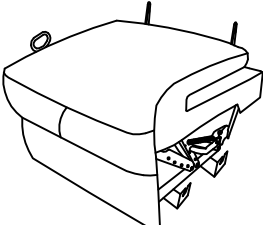
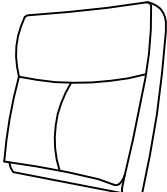
BOX-1/4

NO.	PARTS	QTY
A		1
G		1

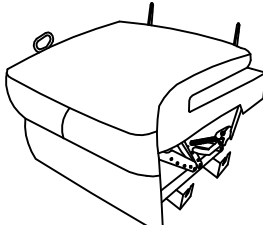
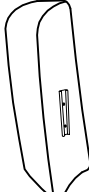

BOX-2/4

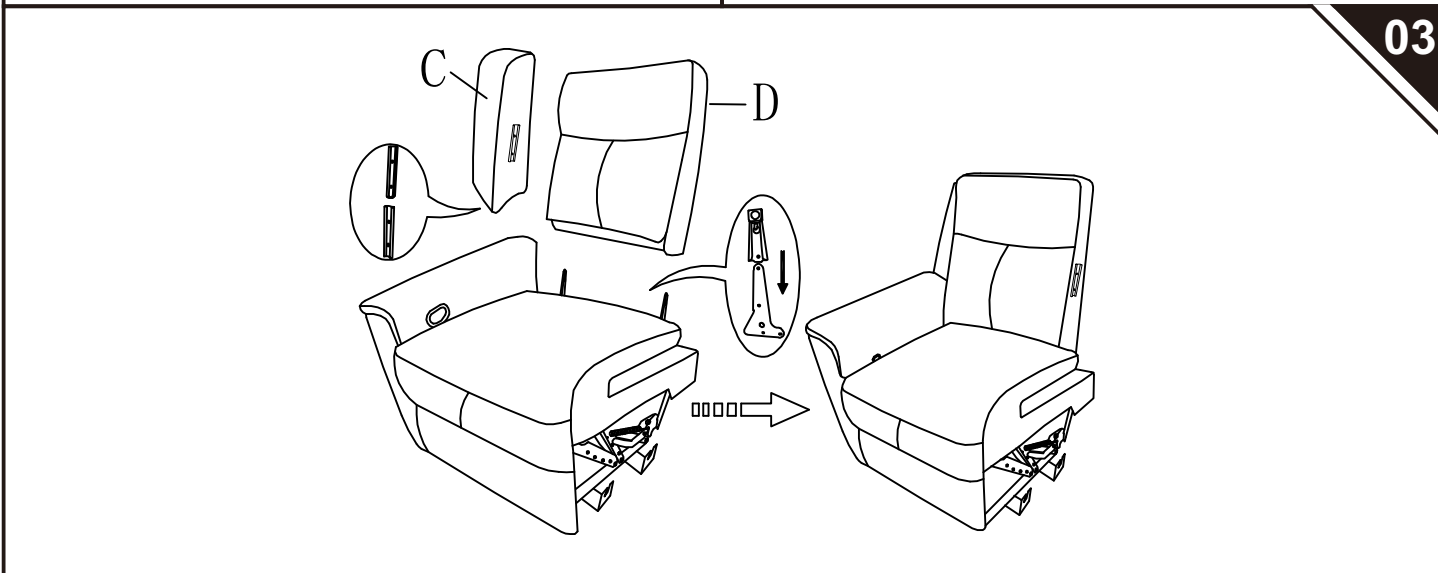
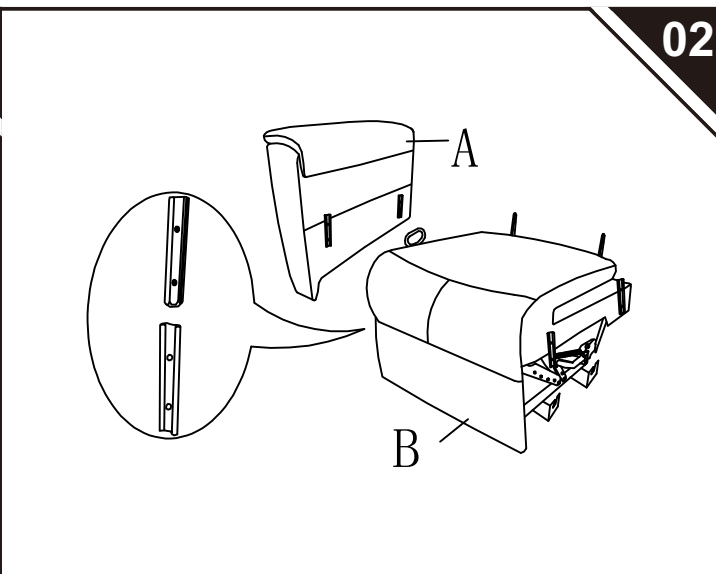
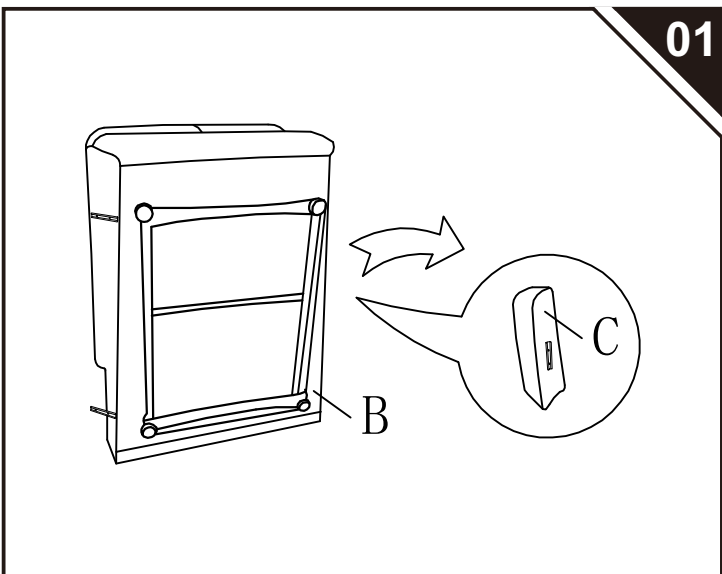
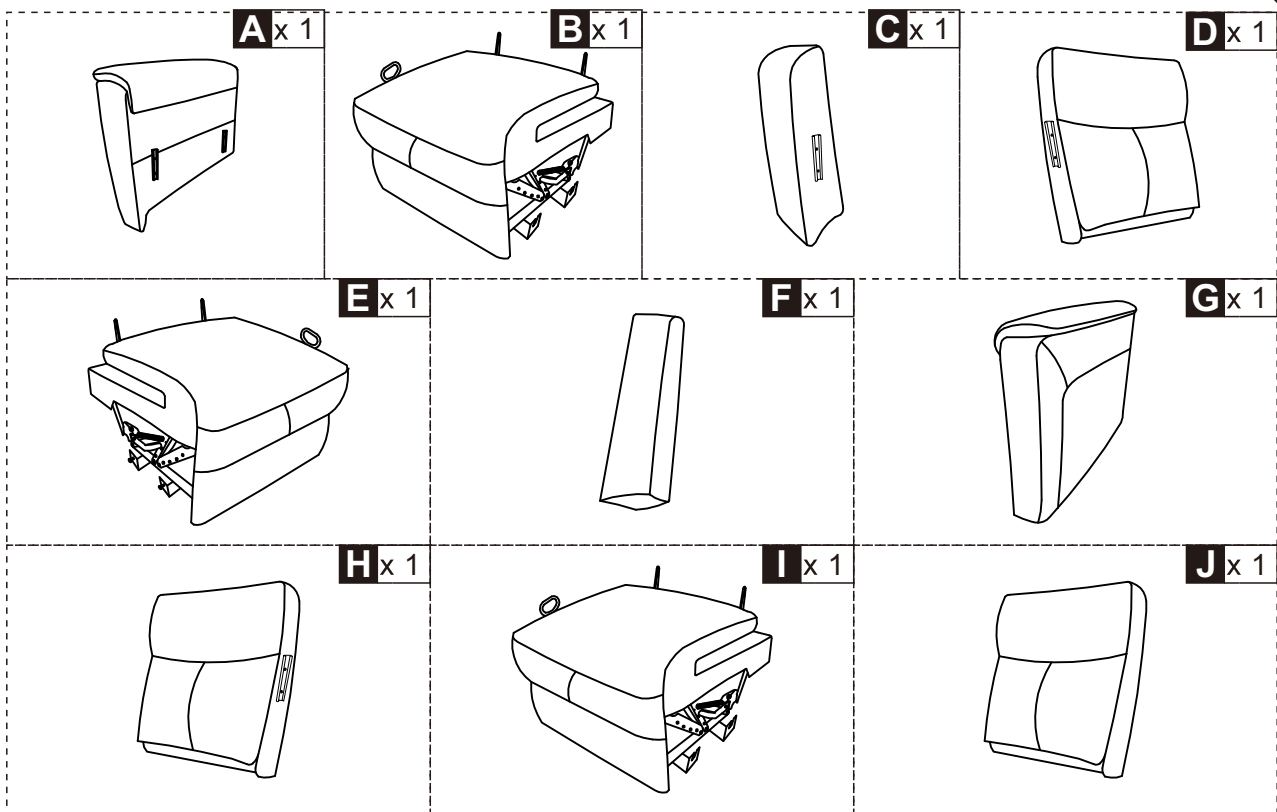
NO.	PARTS	QTY
E		1
F		1
H		1

BOX-3/4

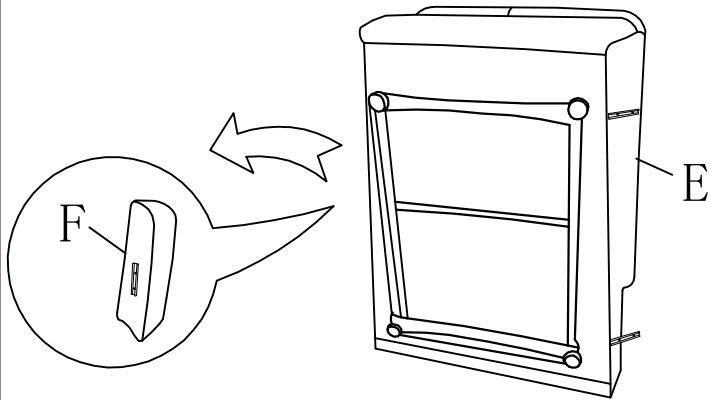
NO.	PARTS	QTY
I		1
J		1

BOX-4/4

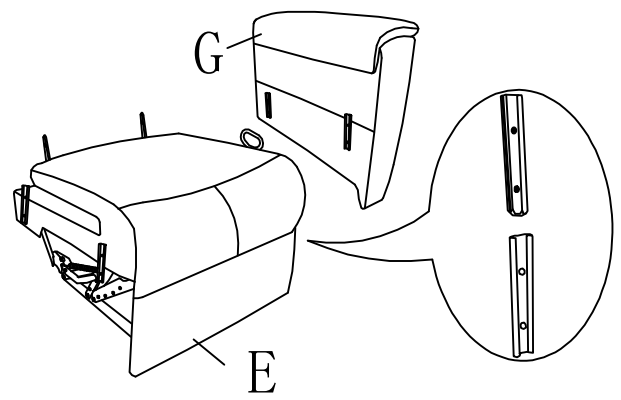
NO.	PARTS	QTY
B		1
C		1
D		1



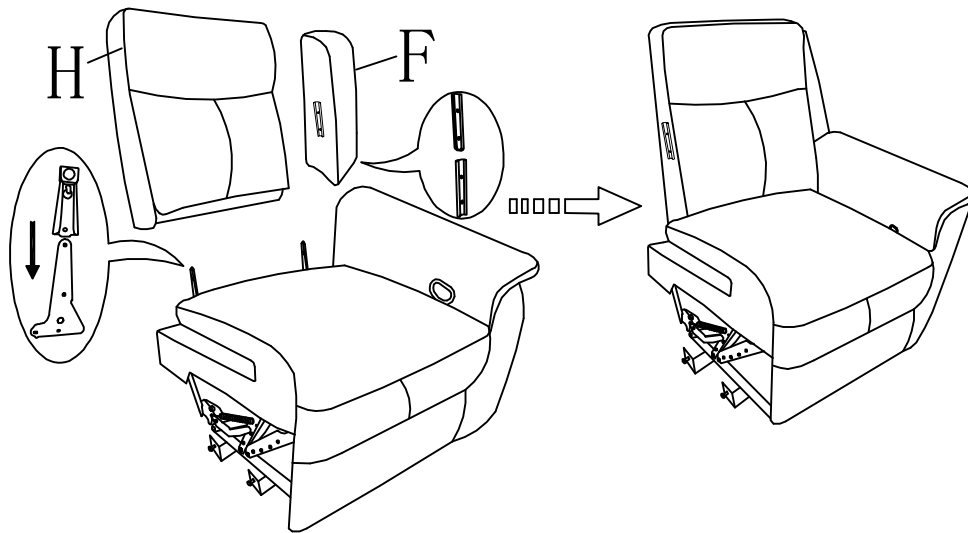
04



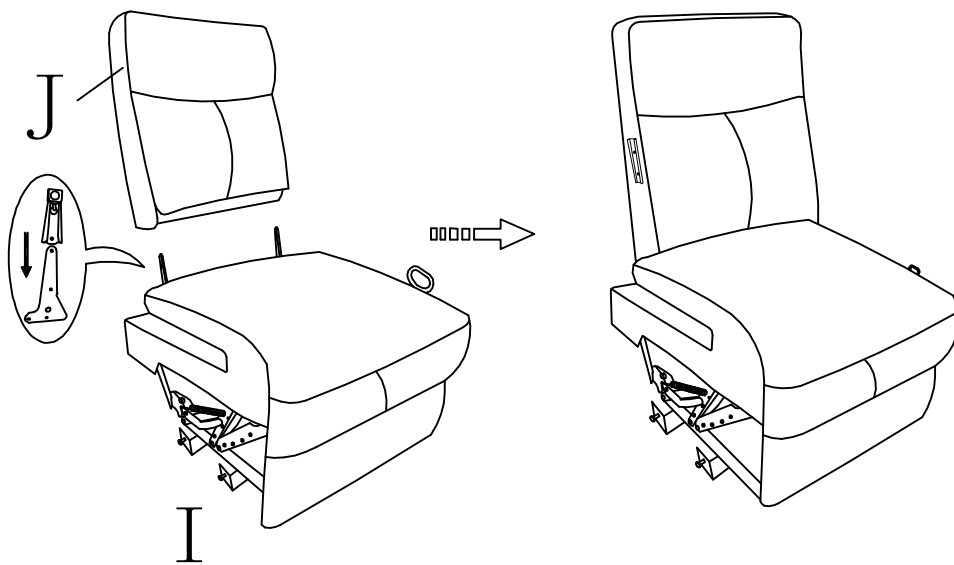
05

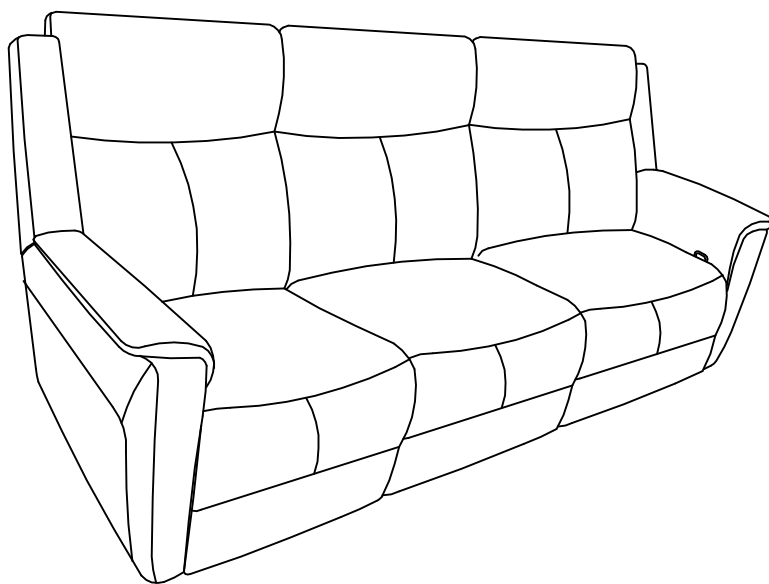
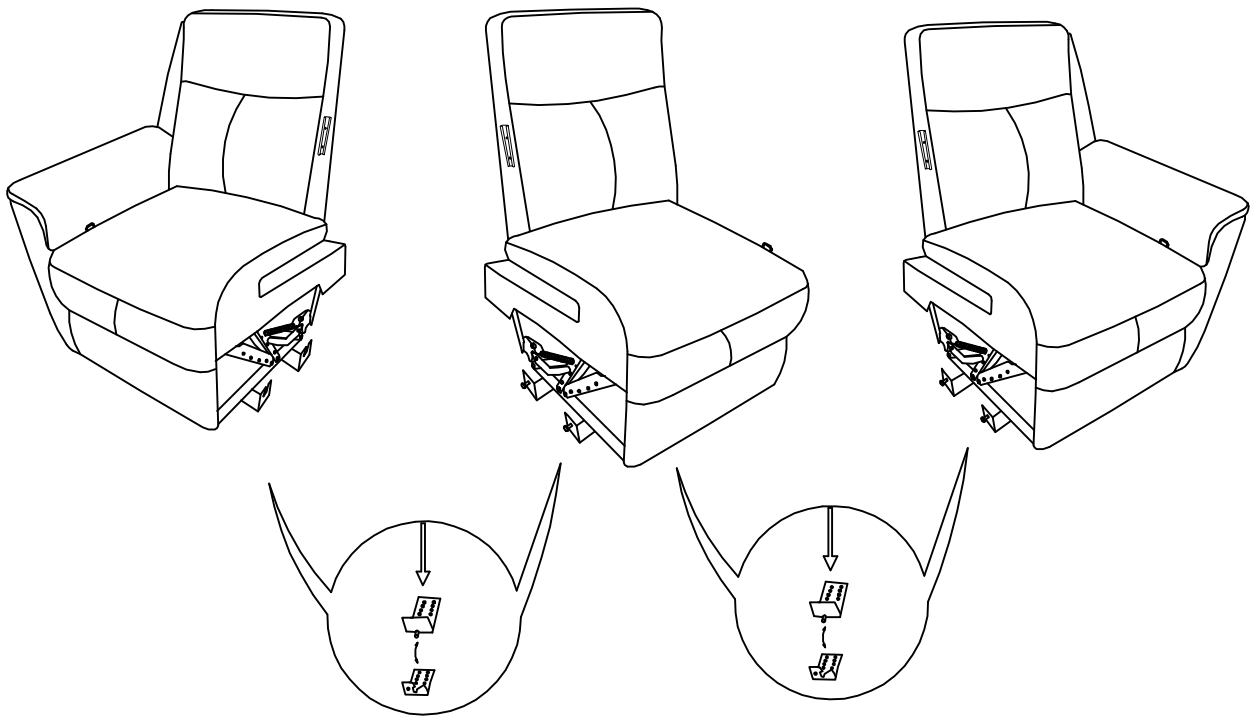


06



07





US



001-877-644-9366
customerservice@aosom.com

CA



001-855-537-6088
customerservice@aosom.ca

UK



0044-800-240-4004
enquiries@mhstar.co.uk

DE



0049-(0)40-88307530
service@aosom.de

FR



0033-1-84166106
contact@aosom.fr

ES



0034-931294512
atencioncliente@aosom.es

IT



0039-0249471447
clienti@aosom.it