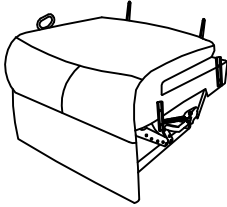
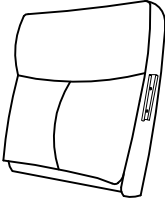
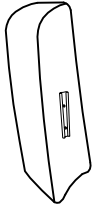
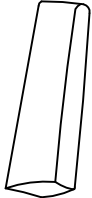


READ AND SAVE THIS INSTRUCTION FOR FUTURE USE


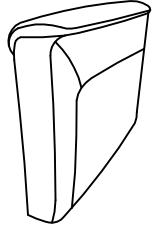
**ASSEMBLY INSTRUCTION**

# PACKING DETAILS: TOTAL 2 BOXES

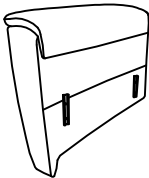
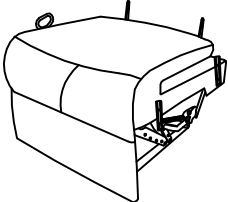
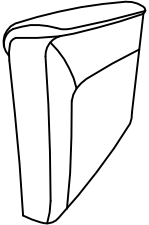
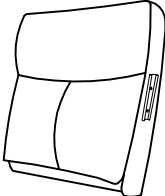
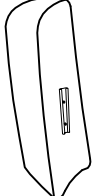
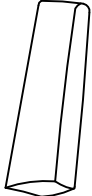
## BOX-1/2

NO.	PARTS	QTY
B		1
D		1
E		1
F		1

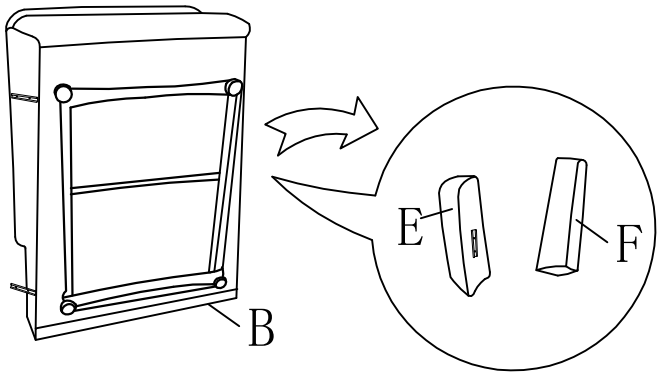
## BOX-2/2

NO.	PARTS	QTY
A		1
C		1

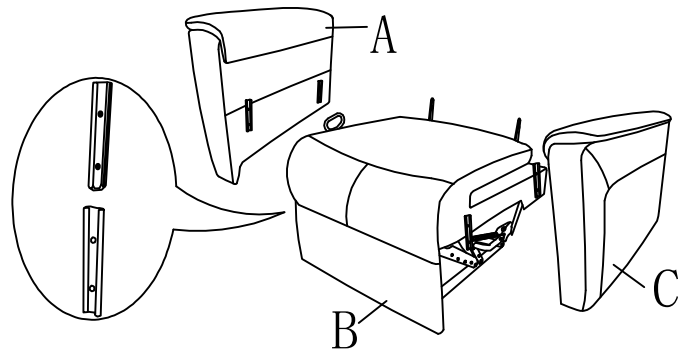
**PART LIST**

	<b>A x 1</b>		<b>B x 1</b>		<b>C x 1</b>
	<b>D x 1</b>		<b>E x 1</b>		<b>F x 1</b>

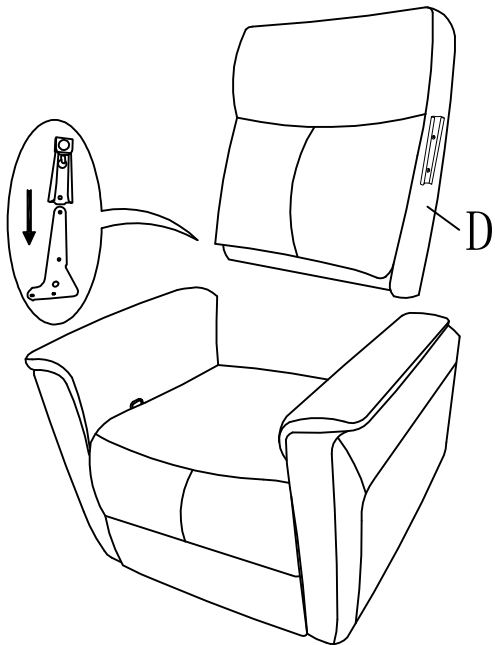
01



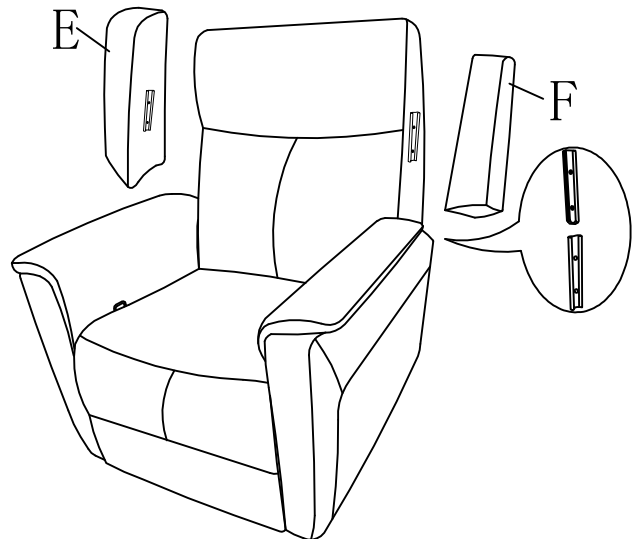
02



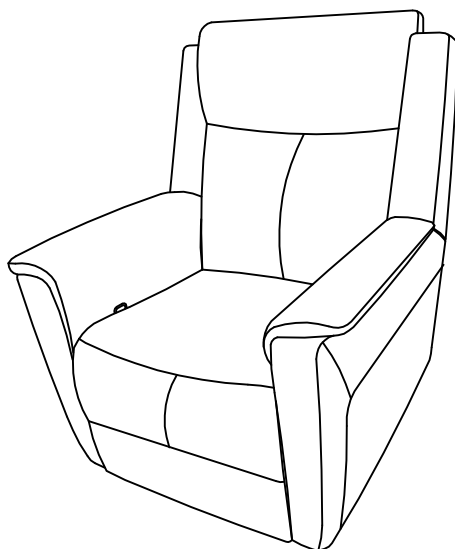
03



04



05



US



001-877-644-9366  
customerservice@aosom.com

CA



001-855-537-6088  
customerservice@aosom.ca

UK



0044-800-240-4004  
enquiries@mhstar.co.uk

DE



0049-(0)40-88307530  
service@aosom.de

FR



0033-1-84166106  
contact@aosom.fr

ES



0034-931294512  
atencioncliente@aosom.es

IT



0039-0249471447  
clienti@aosom.it