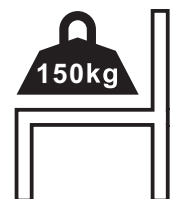
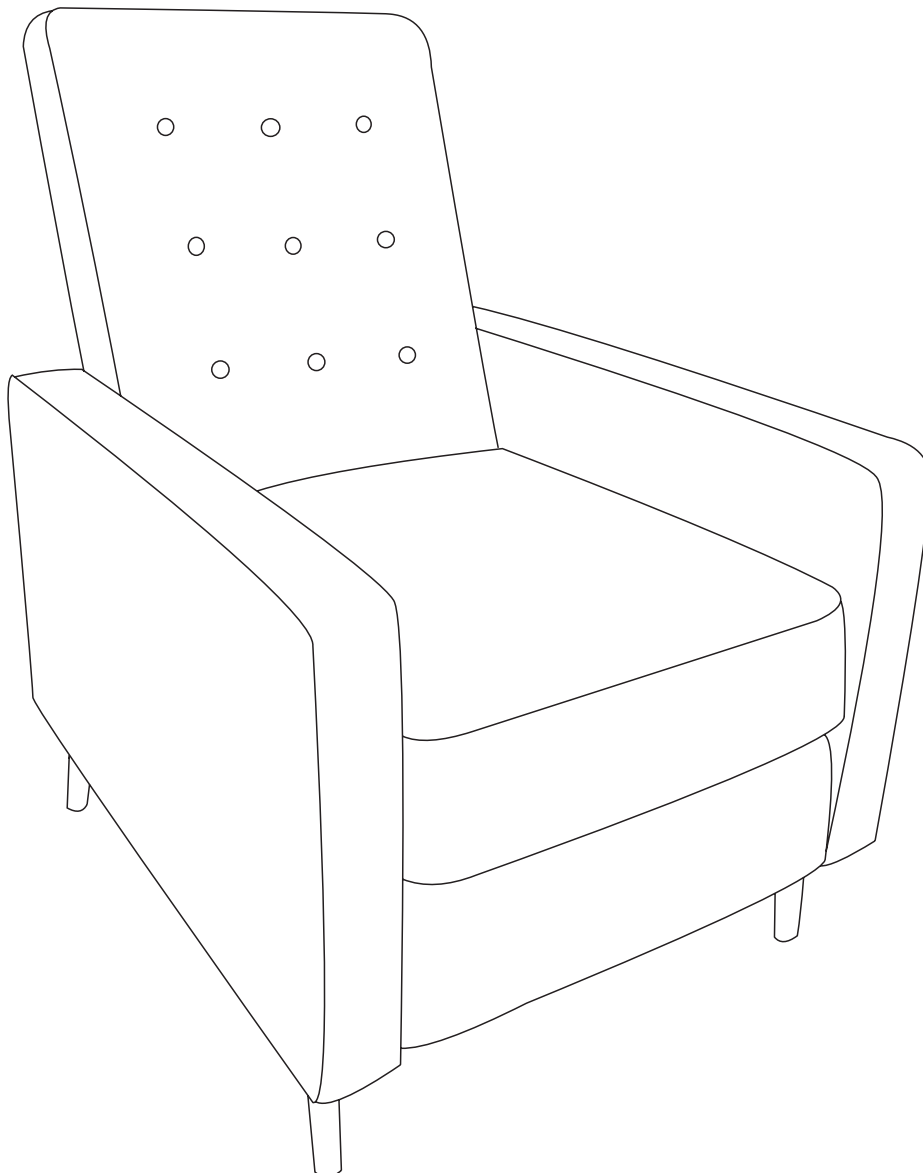




INcxc046\_US

**839-426V00**



**IMPORTANT, RETAIN FOR FUTURE REFERENCE: READ CAREFULLY**

# ASSEMBLY & INSTRUCTION MANUAL

# Chairs

## **IMPORTANT, RETAIN FOR FUTURE REFERENCE: READ CAREFULLY**

### **Only for domestic use**

#### **Instructions for use:**

- \*Put the chair stably on a flat floor.
- \*Building the chairs in good condition.
- \*Stay away from open flames.
- \*Avoid the overload at the chair.

#### **Precautions before assembly:**

- \*Prepare a clean and dry mounting area.
- \*Verify that the product is not damaged.
- \*Check that none of the pieces are missing.

#### **Maintenance:**

- \*Clean with a soft fabric.
- \*Regularly remove leaves and / or water collected on the canvas.
- \*Check the seating regularly.

#### **Storage conditions:**

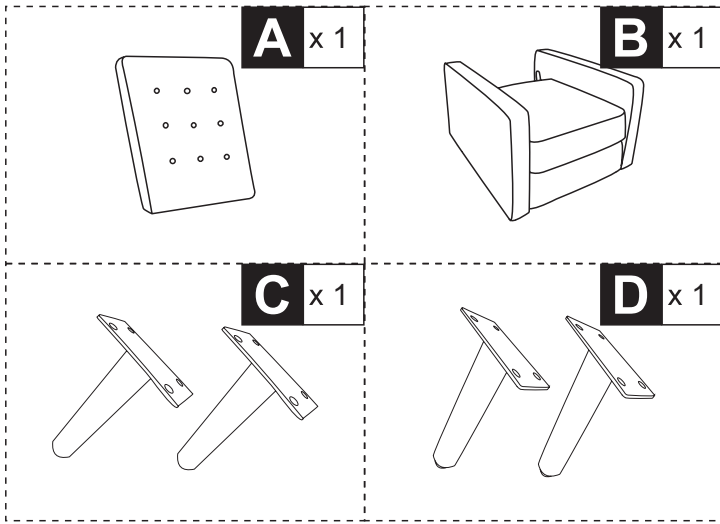
\*The fabric should be stored completely dry, in a clean and dry place to avoid the risks of mold.

### **Beware of crushing and cutting hazards during assembly.**

**The manufacturer declines all responsibility in case of damages due to a bad installation or withering.**

**If the seating is fitted with powered seat height adjustments, only trained personnel may replace or repair those components.**

**PARTS**



**HARDWARE**

