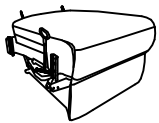




READ AND SAVE THIS INSTRUCTION FOR FUTURE USE

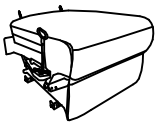
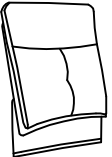
ASSEMBLY INSTRUCTION

PACKING DETAILS: TOTAL 6 BOXES

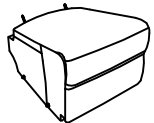


BOX-1/6

NO.	PARTS	QTY
A		1
D		1
F		1


BOX-2/6

NO.	PARTS	QTY
B		1
G		1

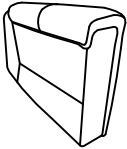

BOX-3/6

NO.	PARTS	QTY
C		1
E		1
H		1

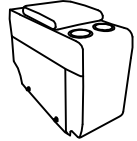




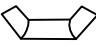
BOX-5/6

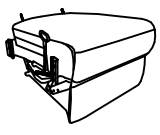
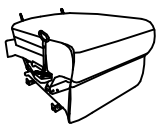
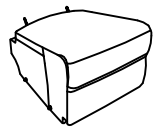

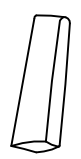

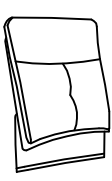

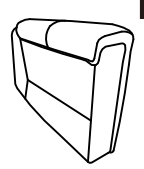

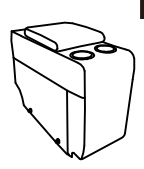
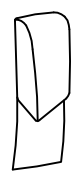
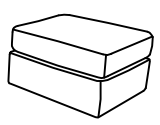

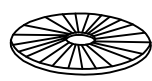
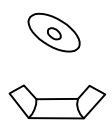
NO.	PARTS	QTY
M		1

BOX-4/6

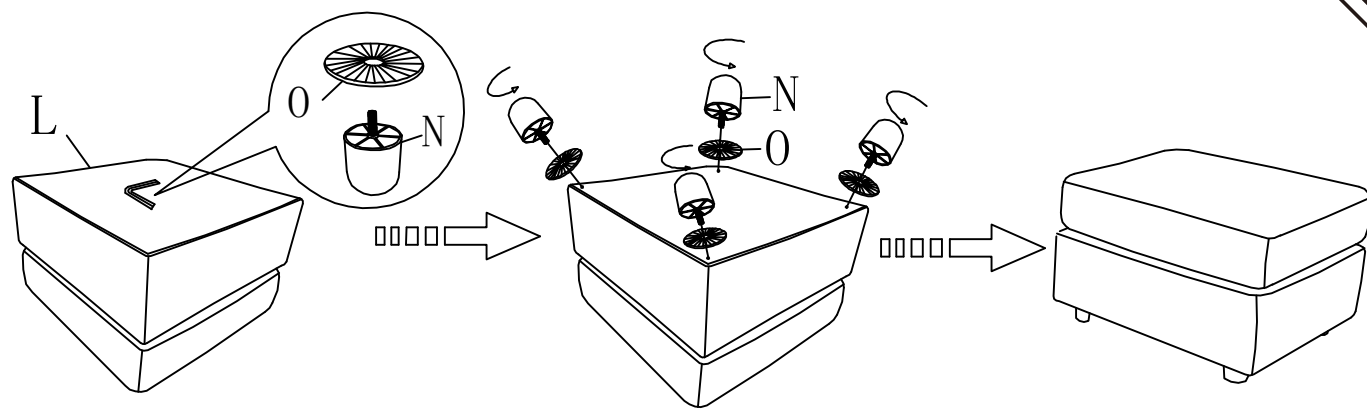
NO.	PARTS	QTY
I		1
J		1

BOX-6/6

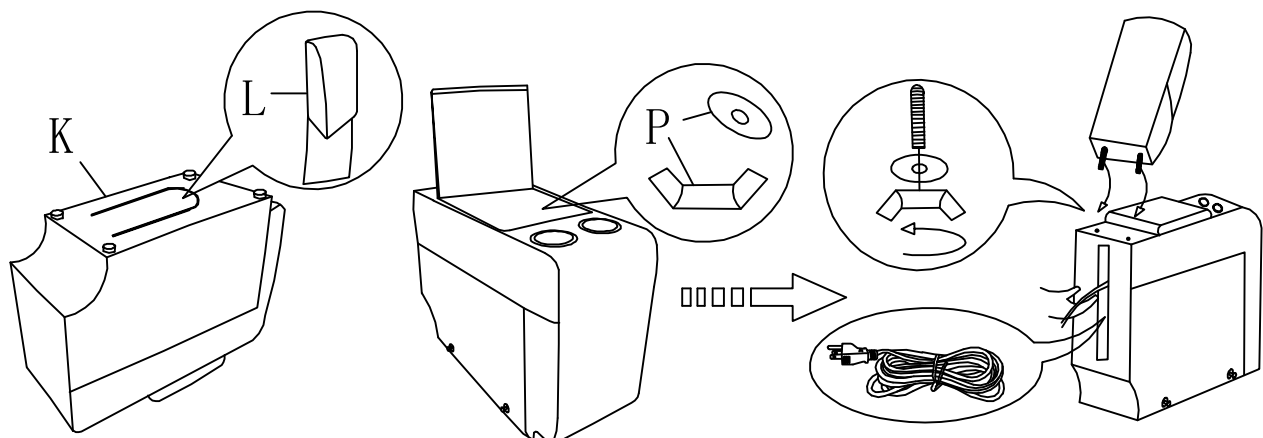
NO.	PARTS	QTY	NO.	PARTS	QTY
K		1	N		4
			O		4
L		1	P		2
					

A x 1 	B x 1 	C x 1 	D x 1 
E x 1 	F x 1 	G x 1 	H x 1 
I x 1 	J x 1 	K x 1 	L x 1 
M x 1 	N x 4 	O x 4 	P x 2 

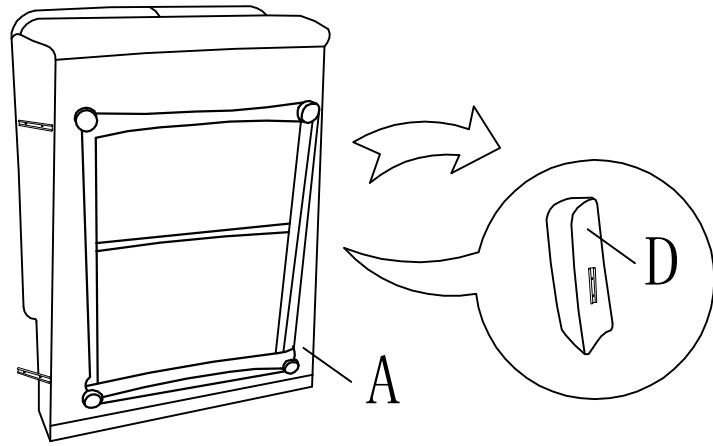
01



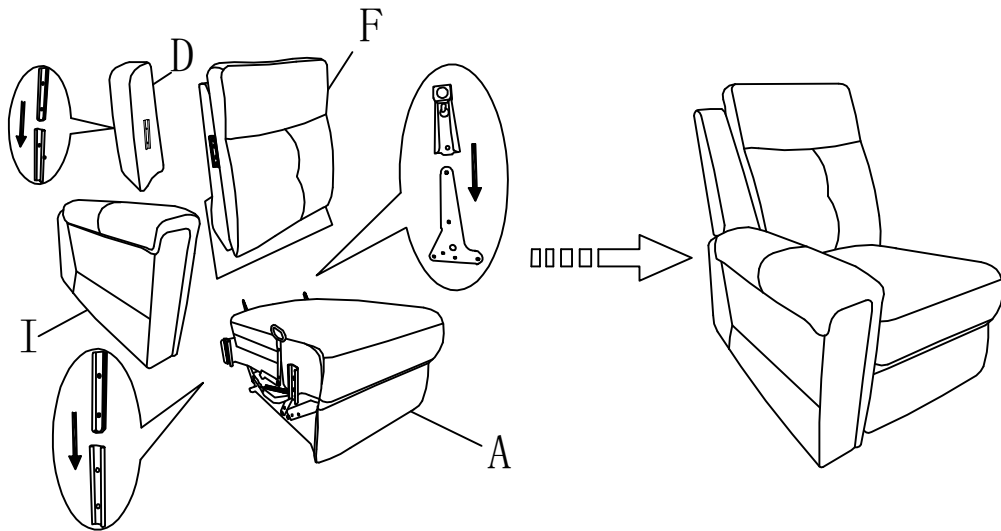
02



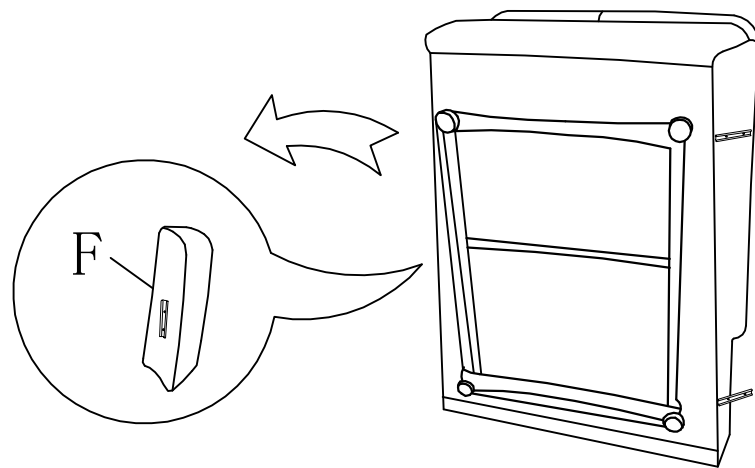
03



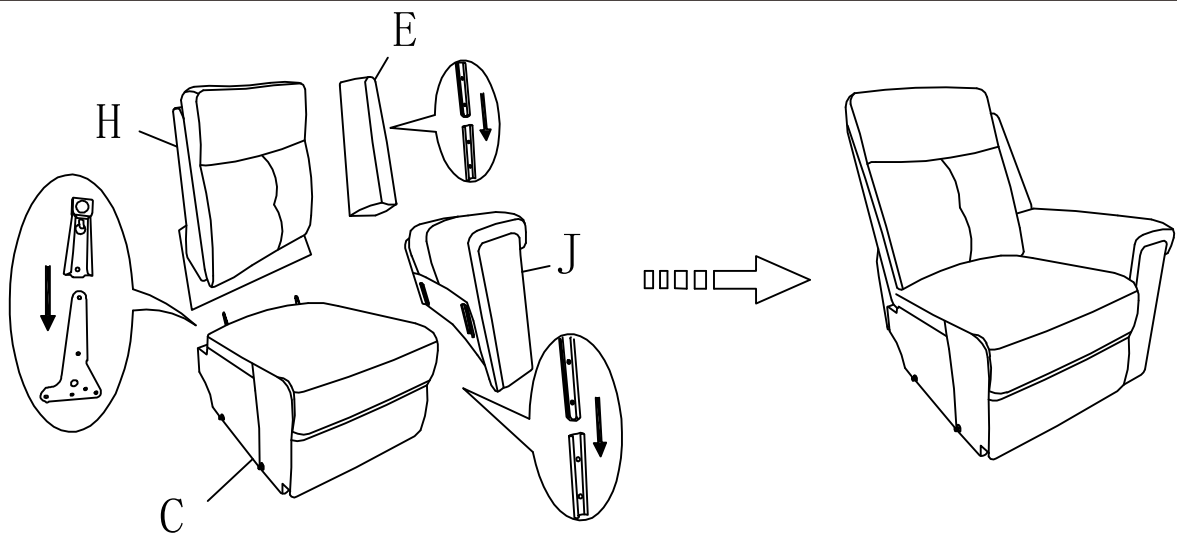
04

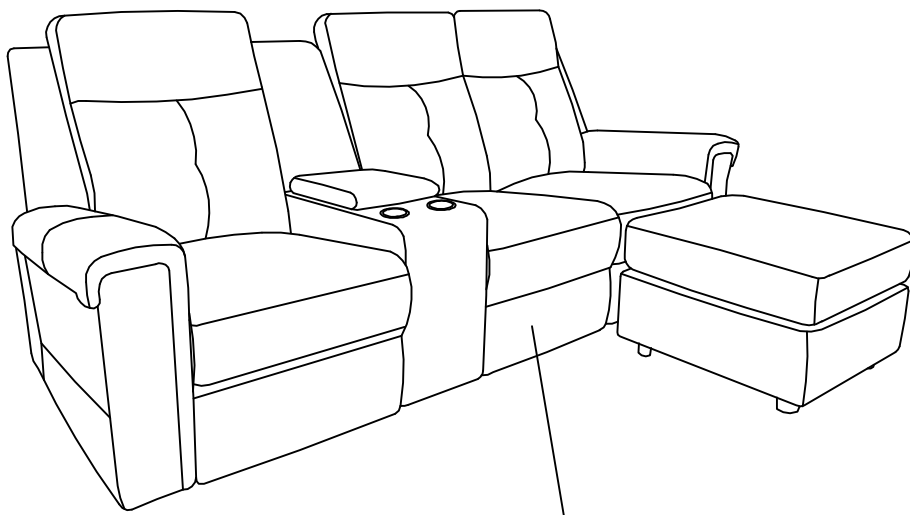
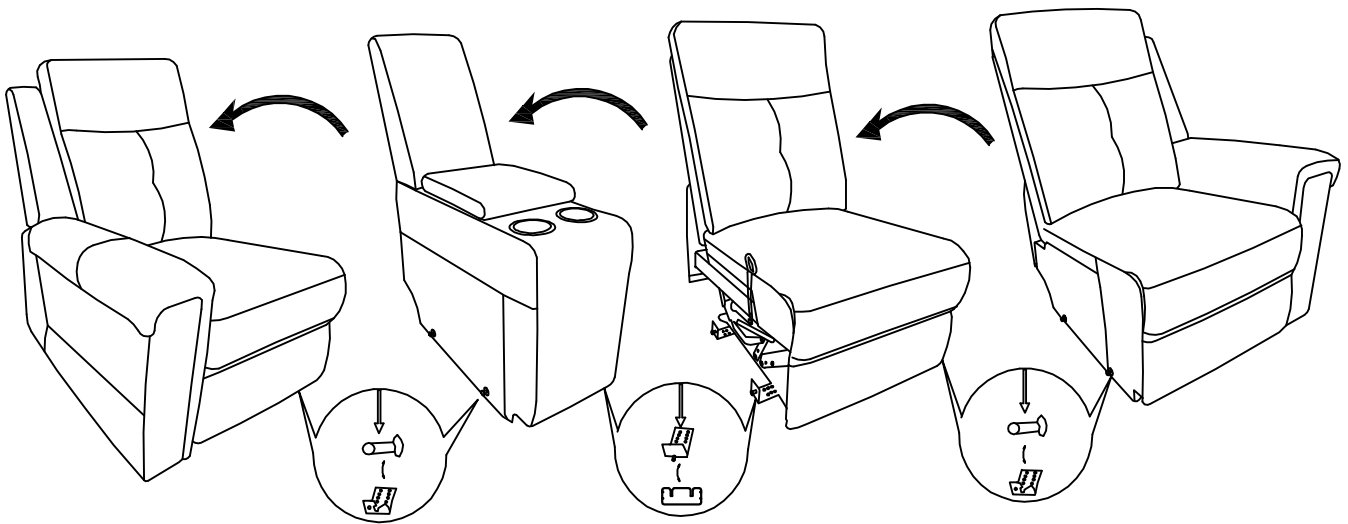
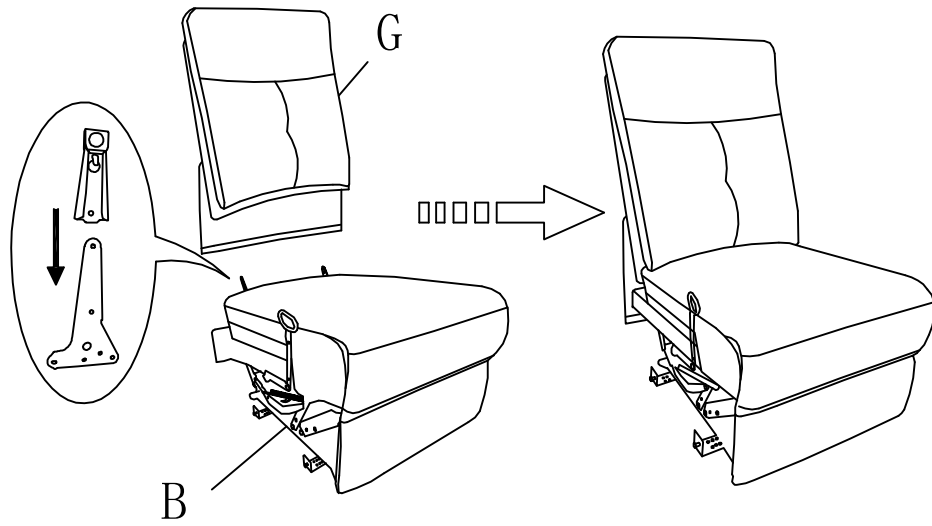


05



06





Note:For convenience, please lie back as far as possible when opening the armless chair. And do not press the footrest.

US



001-877-644-9366
customerservice@aosom.com

CA



001-855-537-6088
customerservice@aosom.ca

UK



0044-800-240-4004
enquiries@mhstar.co.uk

DE



0049-(0)40-88307530
service@aosom.de

FR



0033-1-84166106
contact@aosom.fr

ES



0034-931294512
atencioncliente@aosom.es

IT



0039-0249471447
clienti@aosom.it