
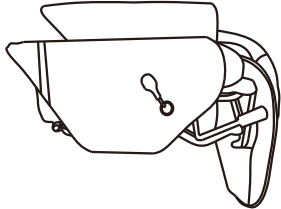



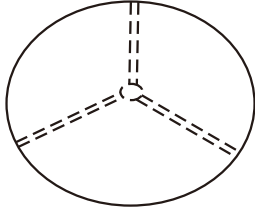
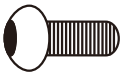




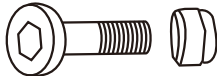


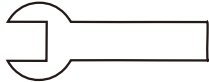

READ AND SAVE THIS INSTRUCTION FOR FUTURE USE

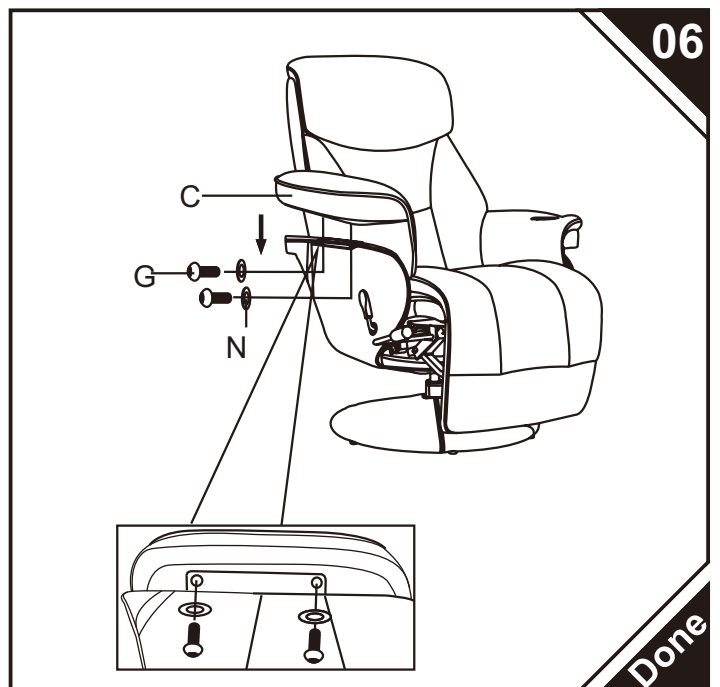
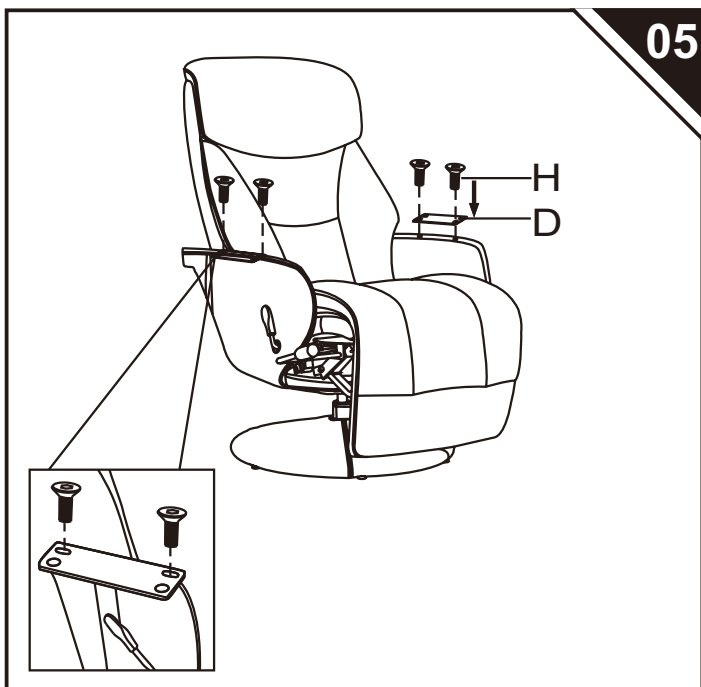
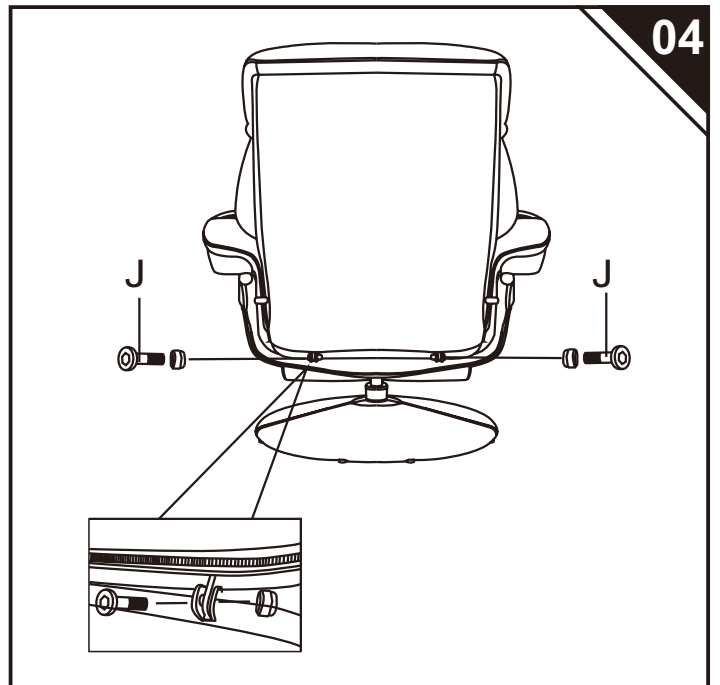
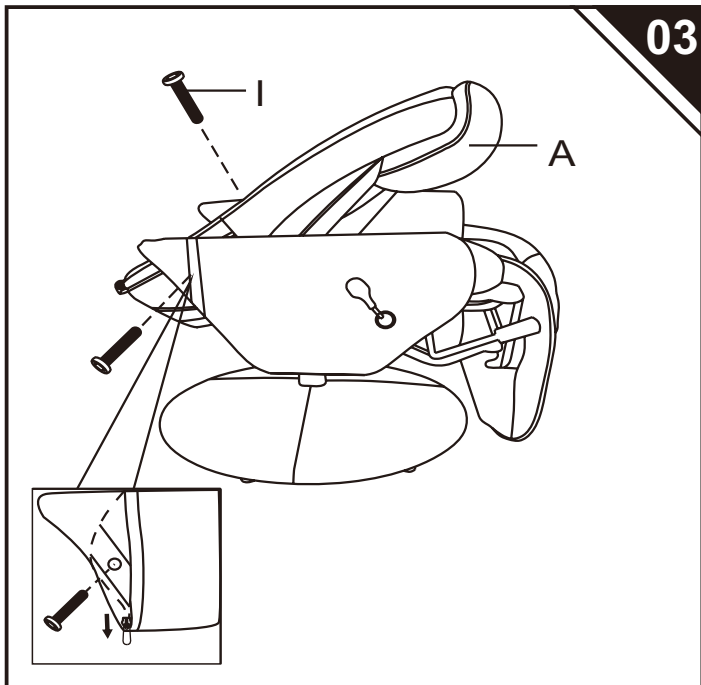
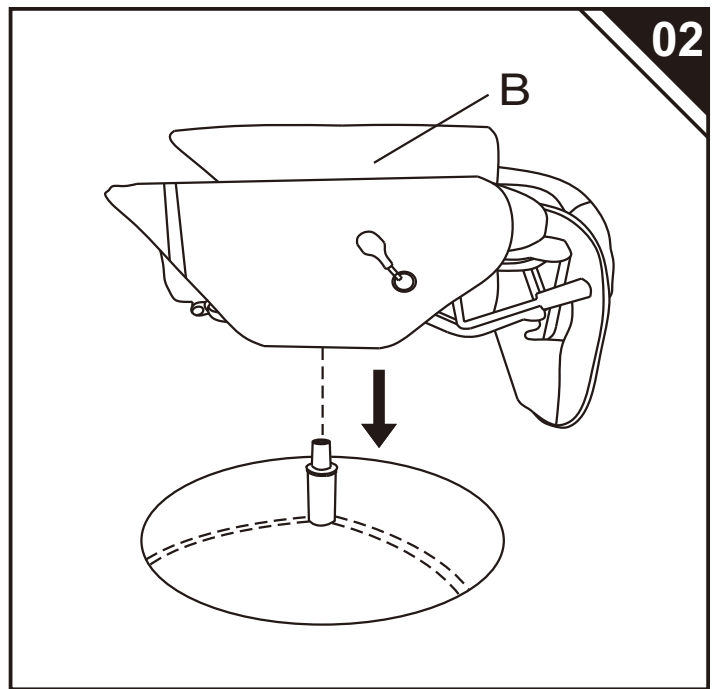
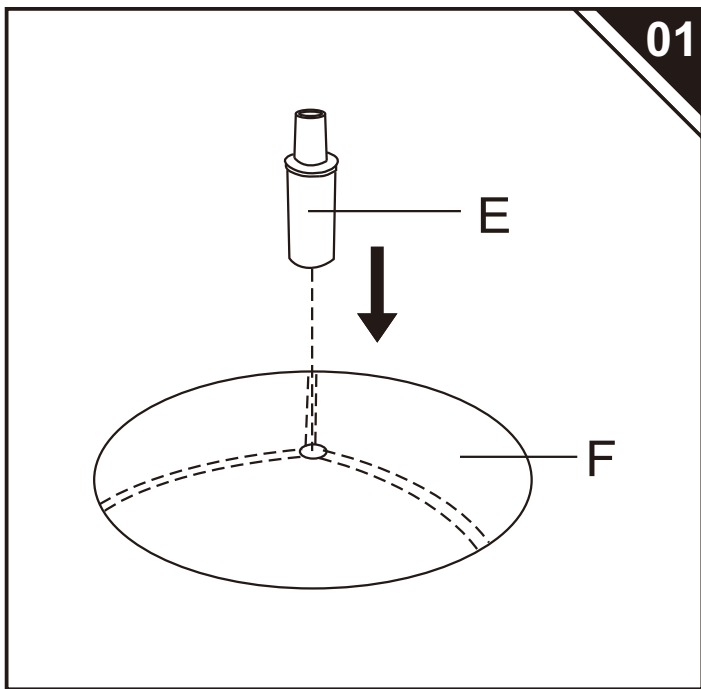
ASSEMBLY INSTRUCTION

BOX-1/2

NO.	PARTS	QTY
A		1
B		1
C		2
D		1
E		1
F		1
G	 M6*20mm	4

BOX-2/2

NO.	PARTS	QTY
H	 M6*20mm	4
I	 M8*40mm	2
J		2
K		1
L		1
M		1
N	 6.5*18*1.5	4



US



001-877-644-9366
customerservice@aosom.com

CA



001-855-537-6088
customerservice@aosom.ca

UK



0044-800-240-4004
enquiries@mhstar.co.uk

DE



0049-(0)40-88307530
service@aosom.de

FR



0033-1-84166106
contact@aosom.fr

ES



0034-931294512
atencioncliente@aosom.es

IT



0039-0249471447
clienti@aosom.it