

PawHut

INdab008V01_US_UK

D00-108



IMPORTANT, RETAIN FOR FUTURE REFERENCE: READ CAREFULLY

ASSEMBLY & INSTRUCTION MANUAL



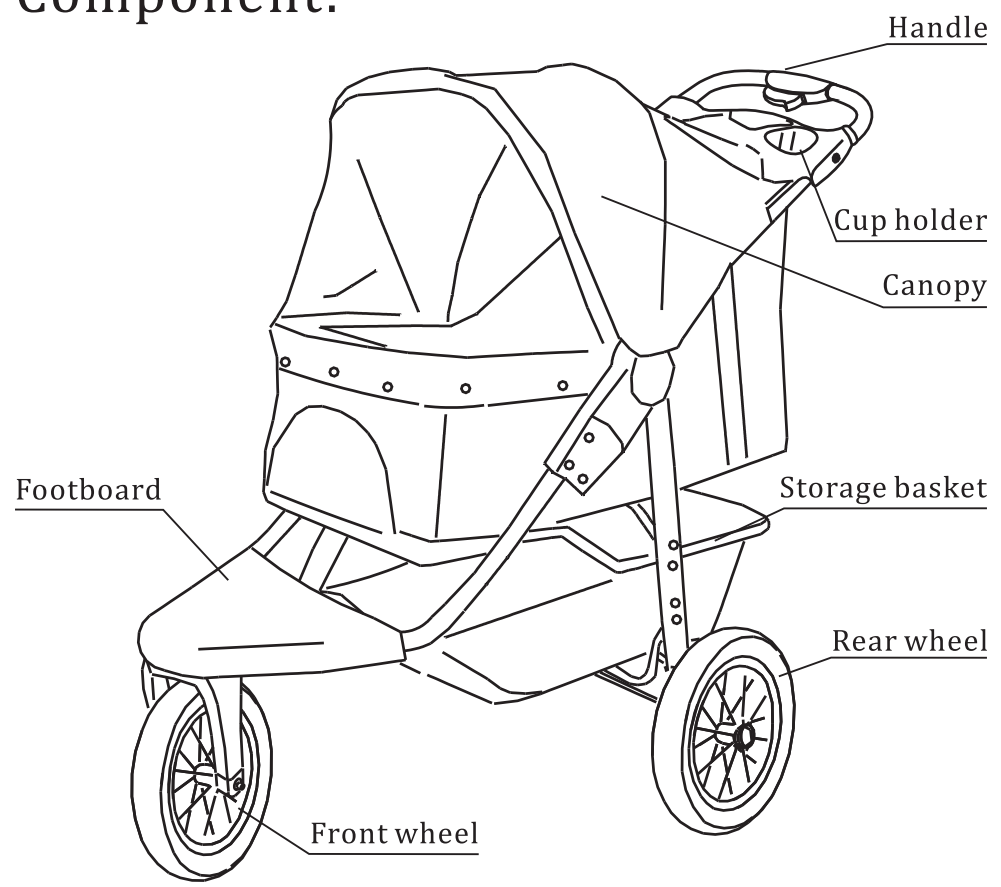
- ▲ 1. For pets only.
- ▲ 2. Do not leave pet in stroller unattended.
- ▲ 3. Always apply the brake whenever the stroller is stationary.
- ▲ 4. The maximum weight capacity is 60lbs.
- ▲ 5. Max load weight of storage basket: 3.3lbs.
- ▲ 6. Do not hang or place anything heavy on the handle that the stroller becomes prone to tipping over backwards.
- ▲ 7. Do not use any component not supplied by manufacturer.
- ▲ 8. Excessive load weight may cause a hazardous unstable condition to exist.

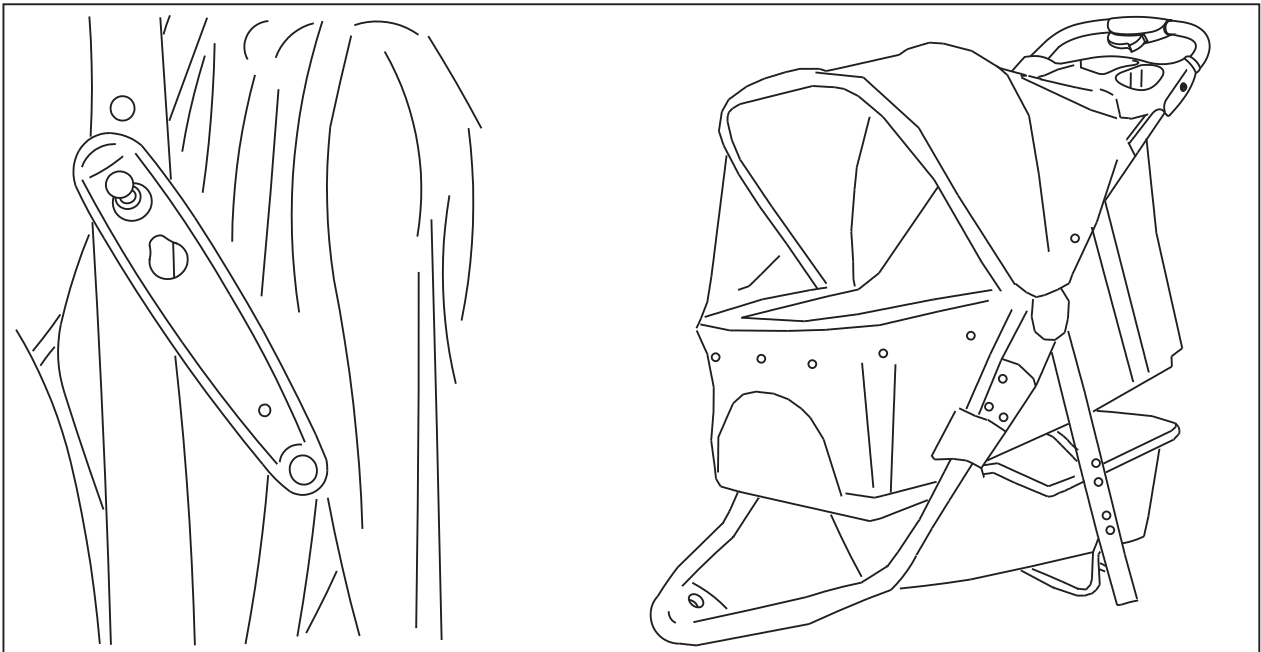
Cleaning and maintenance:

- 1. Unsnap button on stroller;
- 2. Take apart the canopy;
- 3. Take out the cushion ;
- 4. Wipe stroller slightly.

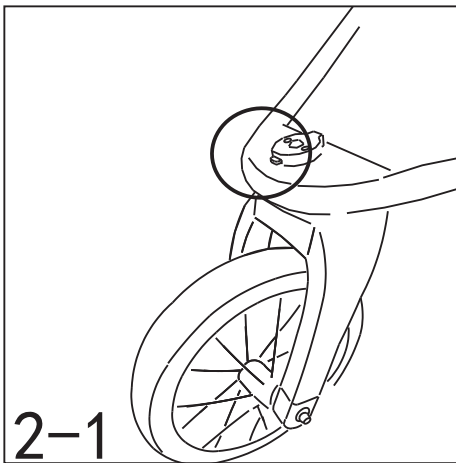
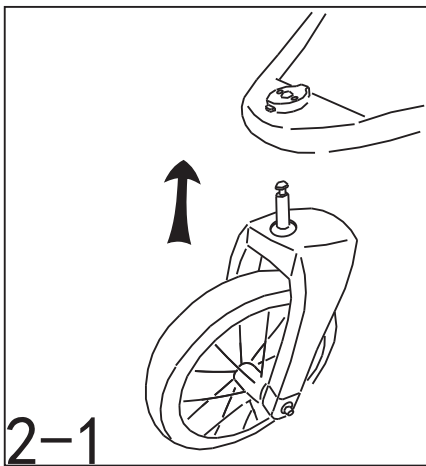
PART LIST

Component:



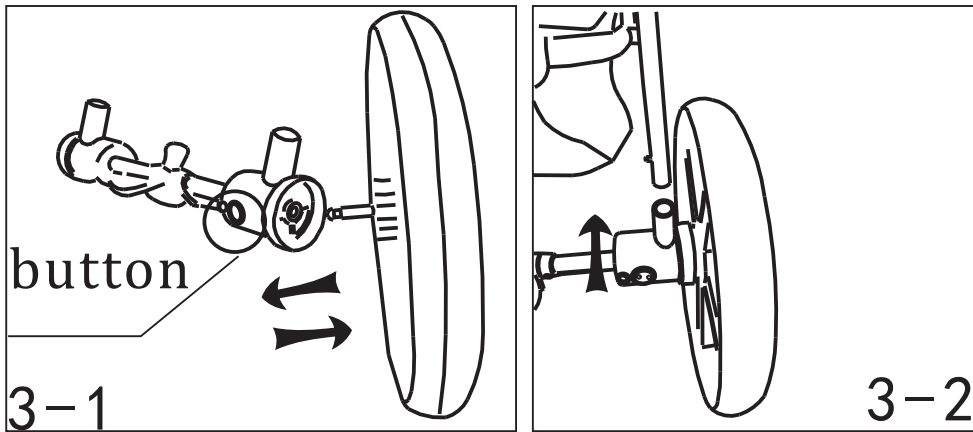


1. To open stroller: release the folding hook as the picture shown, lift the handlebar, unfold the stroller and make sure both joints locked.



2. Assemble the front wheel: insert the axle of the wheel into the hole **TILL A SOUND "CLICK"** as picture 2-1.

Disassemble the front wheel: press the metal clip button as picture 2-2 by one hand and remove the wheel by the other hand.

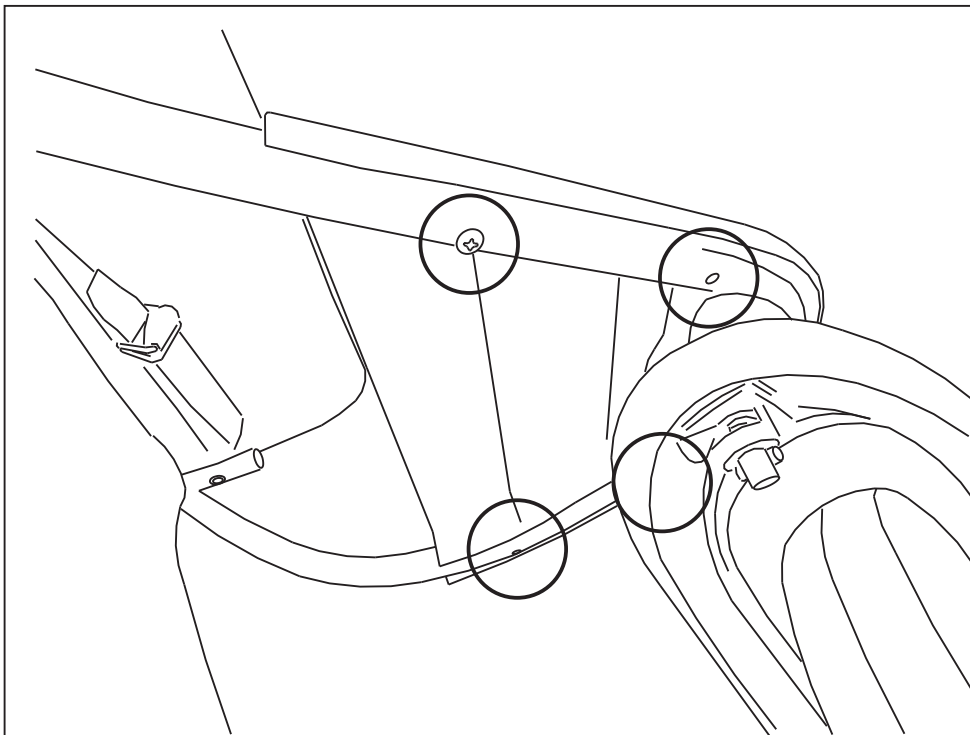


Assemble the rear wheel

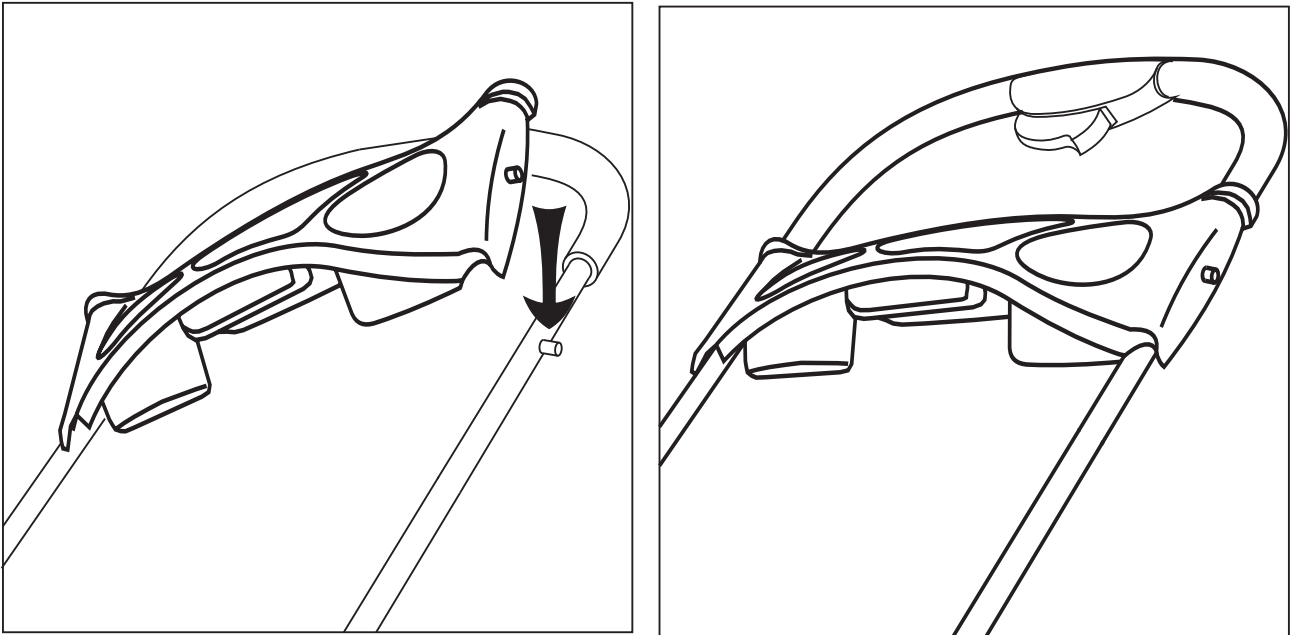
Insert the wheel into the hole on the axle till a sound “click” as picture 3-1. And insert tube leg into wheel connector till "click" sound as picture 3-2.

Disassemble the rear wheel:

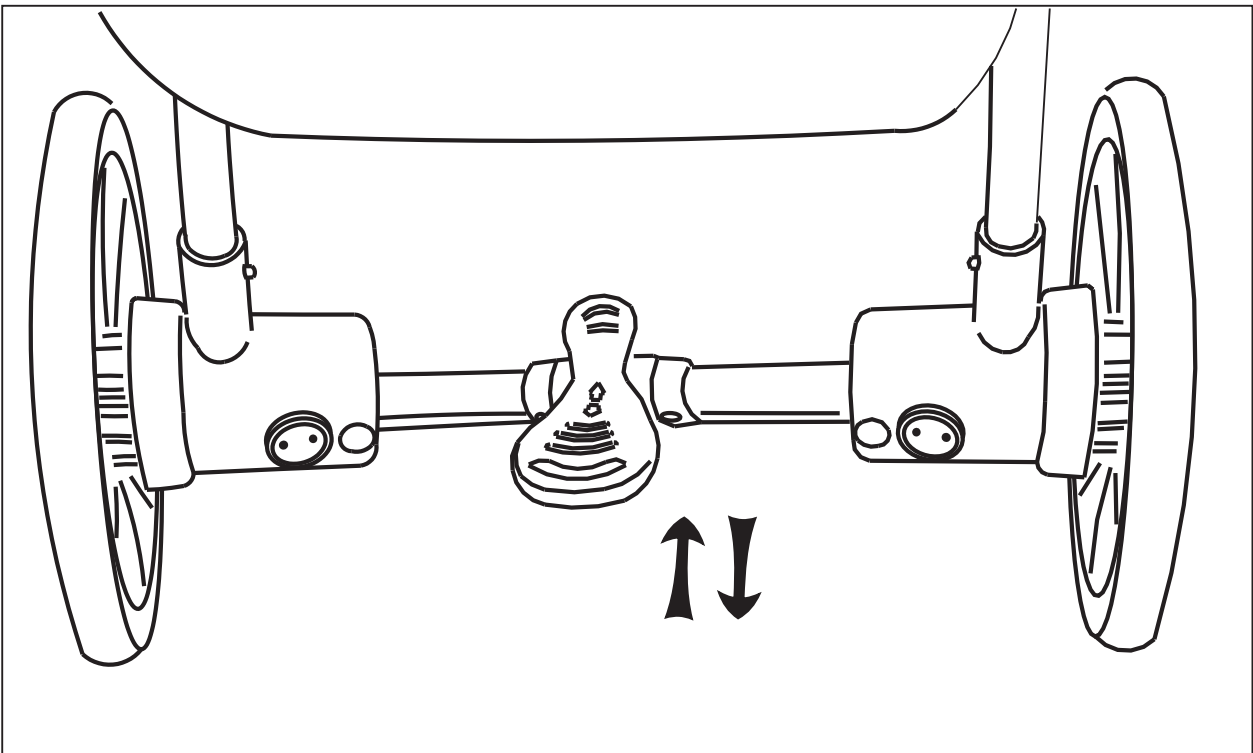
Press the button and remove the rear wheel as picture 3-1.



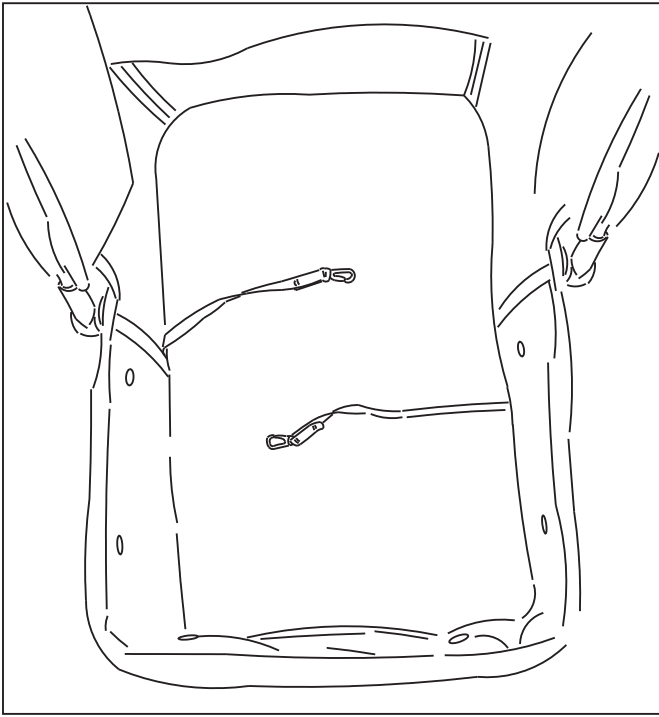
4.To attach footboard: attach footboard position to bottom and tighten screws.



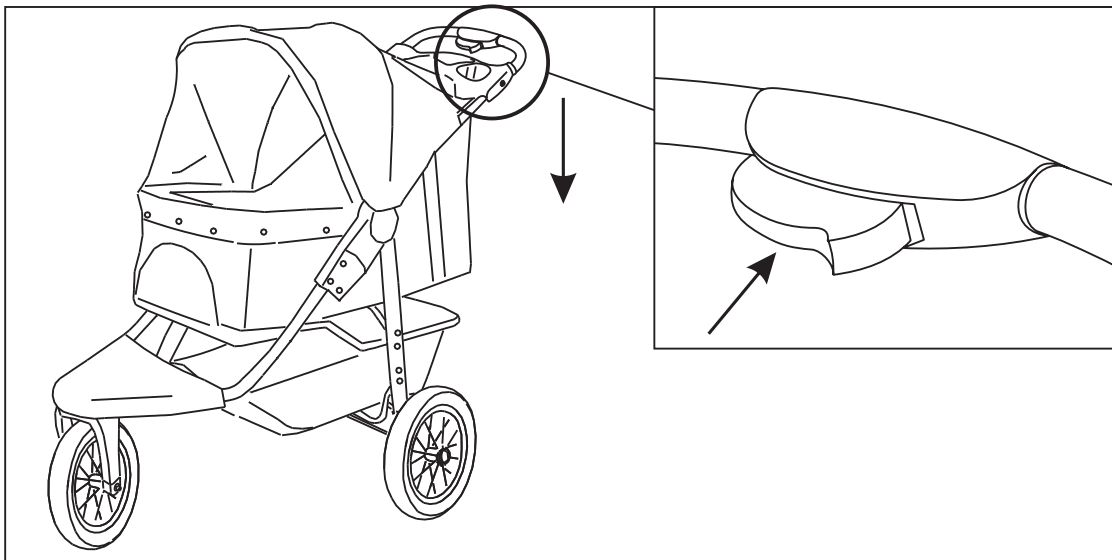
5. To attach cup holder: aim at the stake on the handle tube and fix the cup holder.



6. To step the brake pole down to stop the stroller, and lift it up to release the brake.



7. Fasten the safety leash with the pet collar.



8. Fold the stroller: unzip the canopy window first, then press the folding button as arrow direction to fold the stroller and fasten the folding hook.

US



001-877-644-9366
customerservice@aosom.com

CA



001-855-537-6088
customerservice@aosom.ca

UK



0044-800-240-4004
enquiries@mhstar.co.uk

DE



0049-(0)40-88307530
service@aosom.de

FR



0033-1-84166106
contact@aosom.fr

ES



0034-931294512
atencioncliente@aosom.es

IT



0039-0249471447
clienti@aosom.it