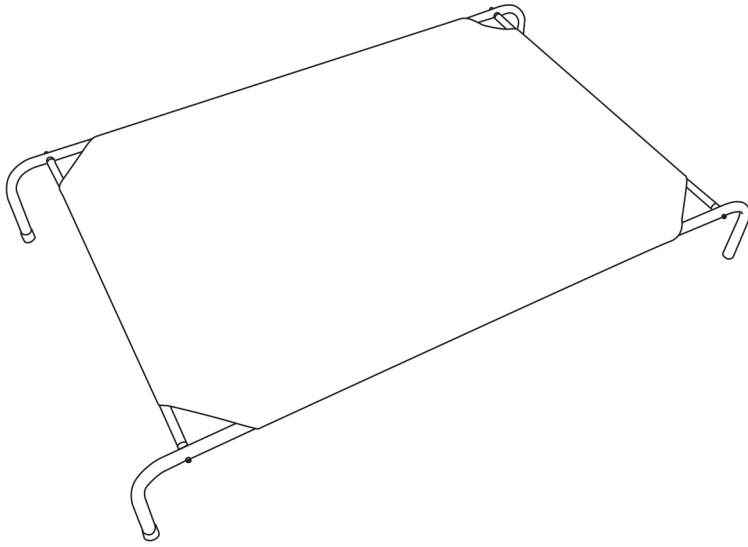


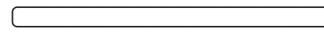
# PawHut Assembly Instructions



A 1PC



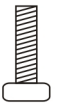
B 2PCS



C 2PCS



D 4PCS



E 4PCS

