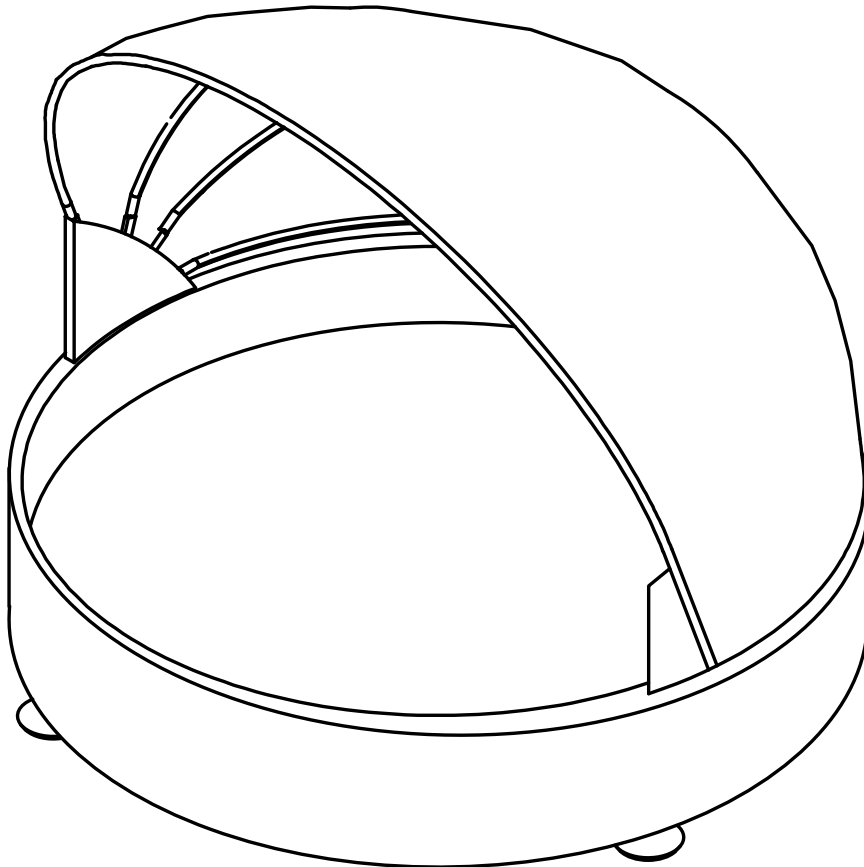


# PawHut

INdba049V01\_GL

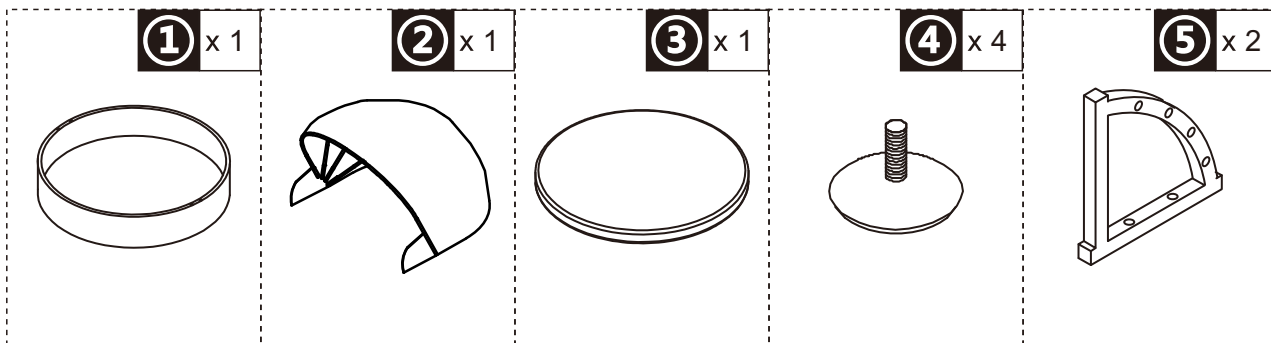
**D02-104**



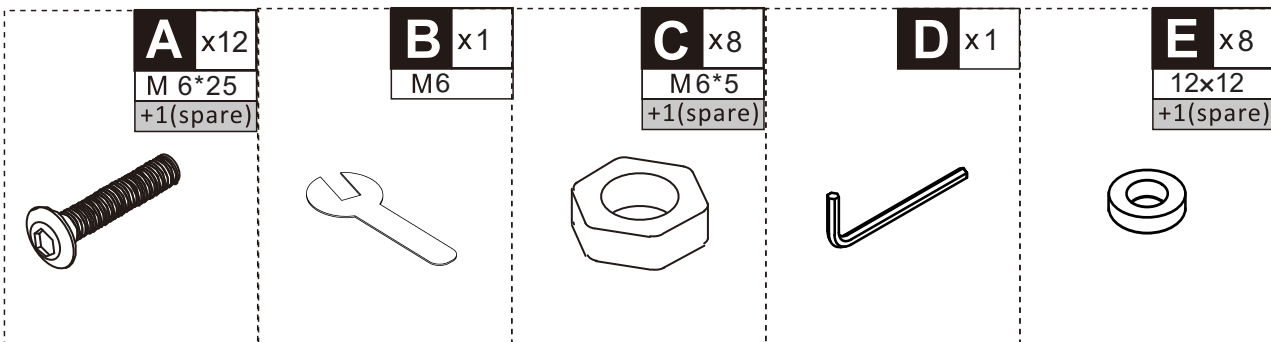
IMPORTANT, RETAIN FOR FUTURE REFERENCE: READ CAREFULLY

## ASSEMBLY & INSTRUCTION MANUAL

**PARTS**

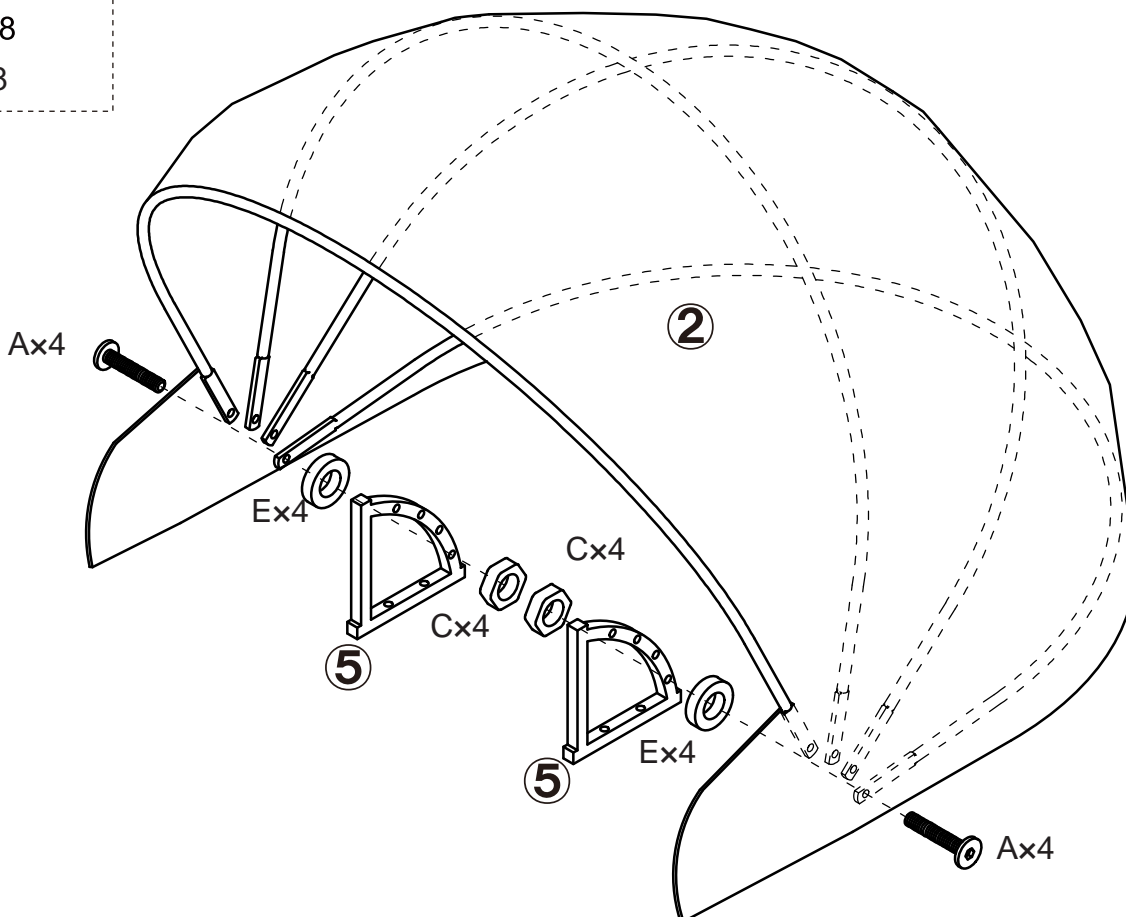


**HARDWARE**



**01**

- Ax8
- Cx8
- Ex8



AX4

