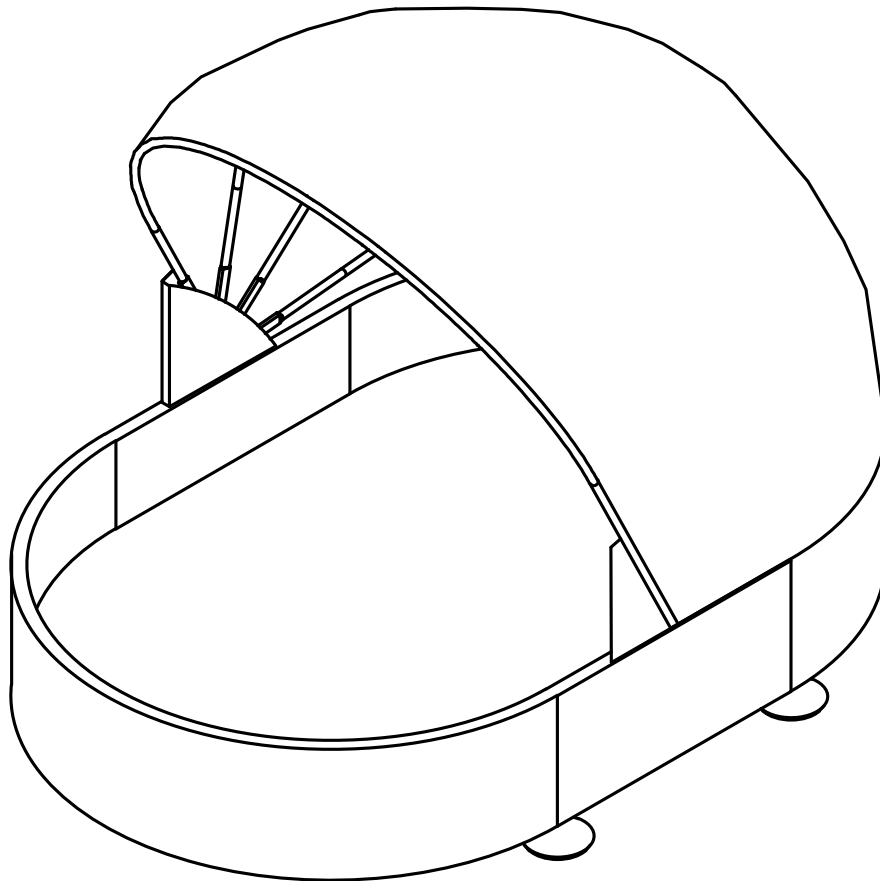


# PawHut

INdba050V01\_GL

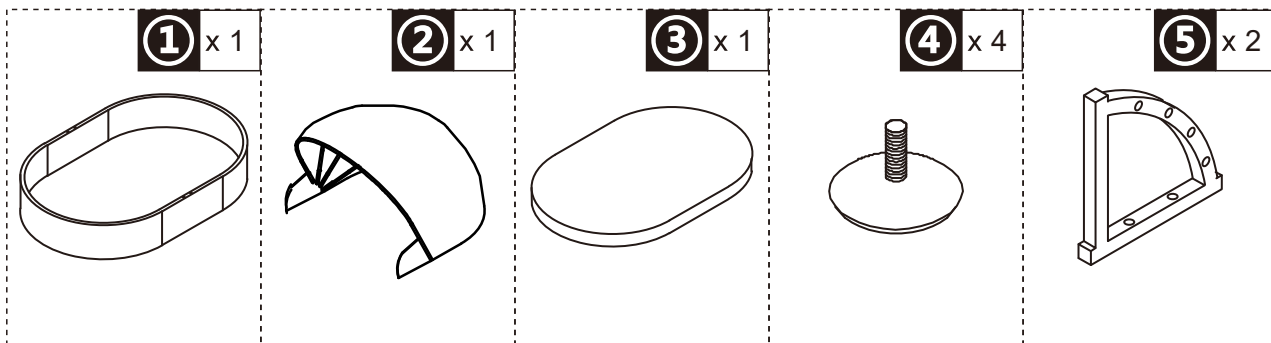
**D02-105V70**



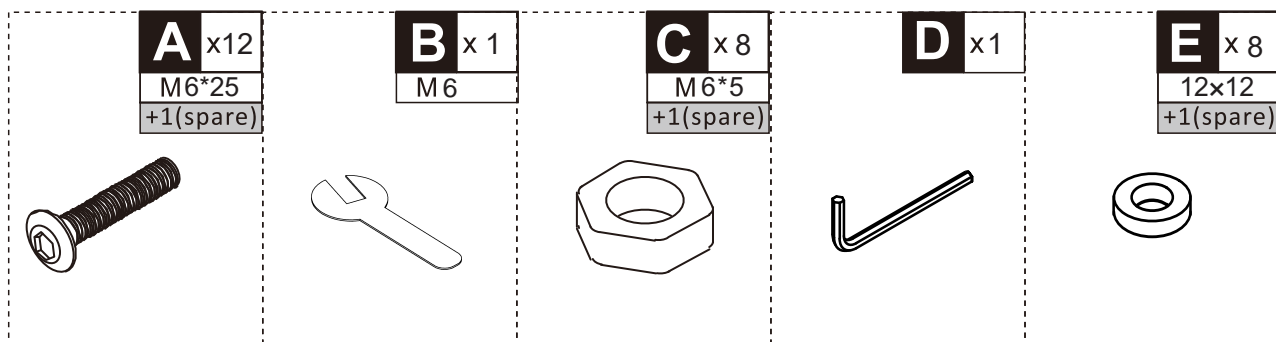
IMPORTANT, RETAIN FOR FUTURE REFERENCE: READ CAREFULLY

## ASSEMBLY & INSTRUCTION MANUAL

**PARTS**

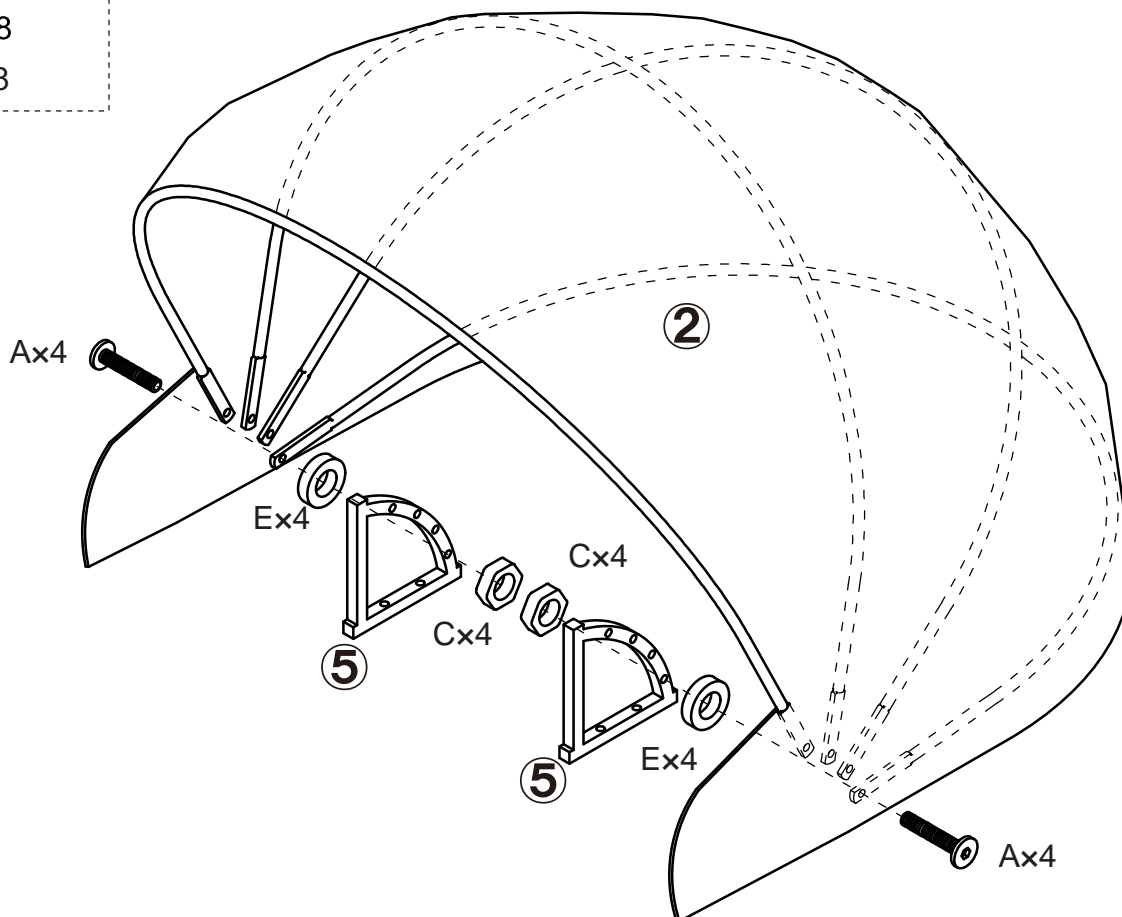


**HARDWARE**



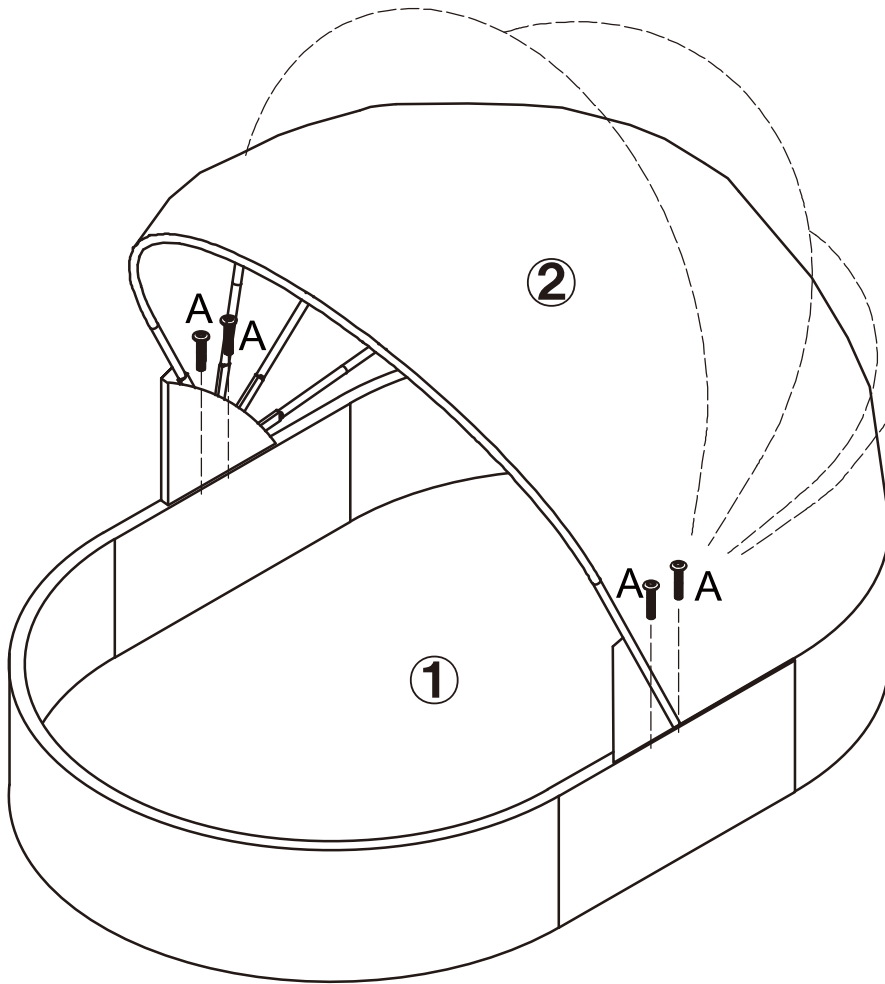
**01**

- Ax8
- Cx8
- Ex8



AX4

02



03

