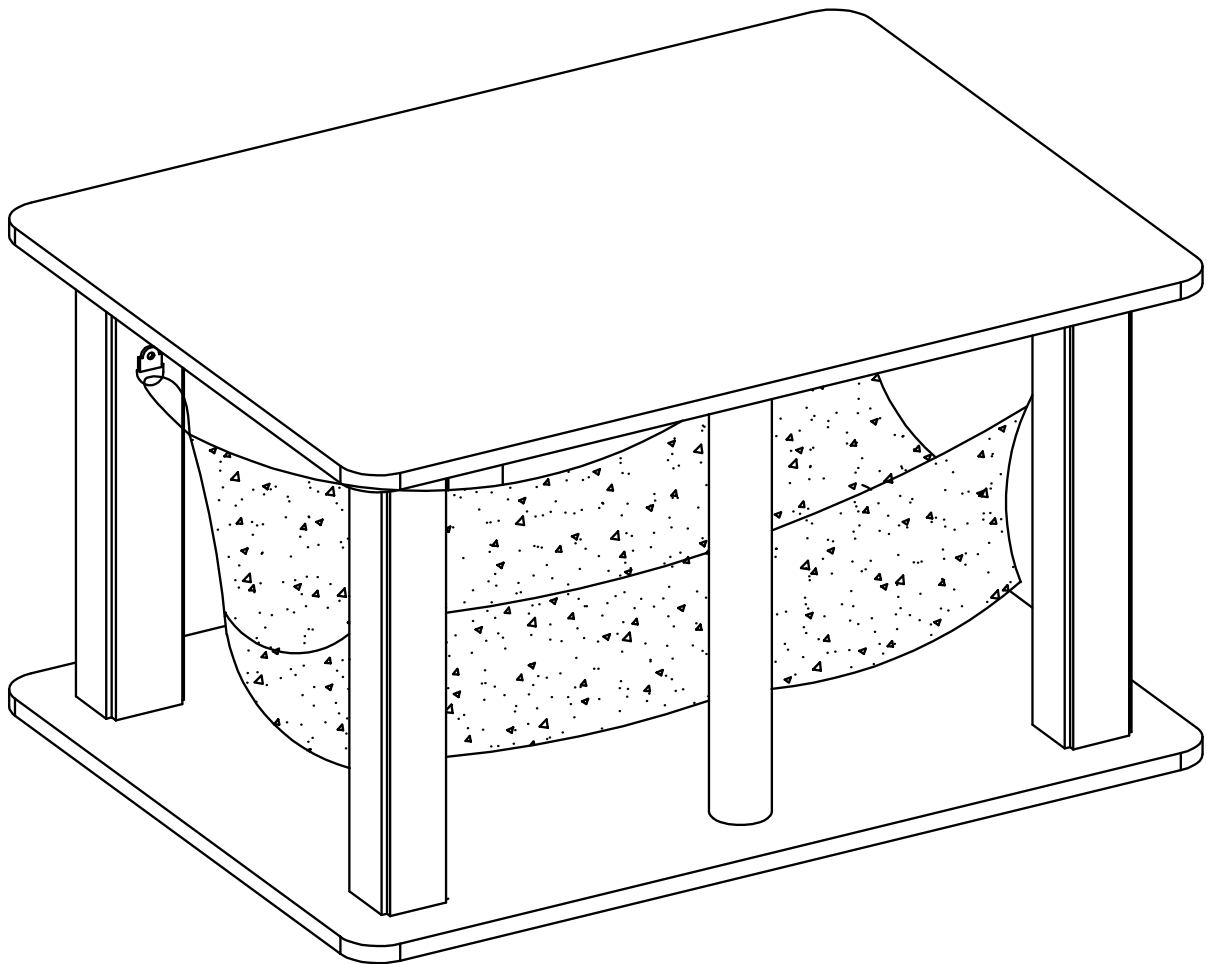


PawHut

INdba064_GL

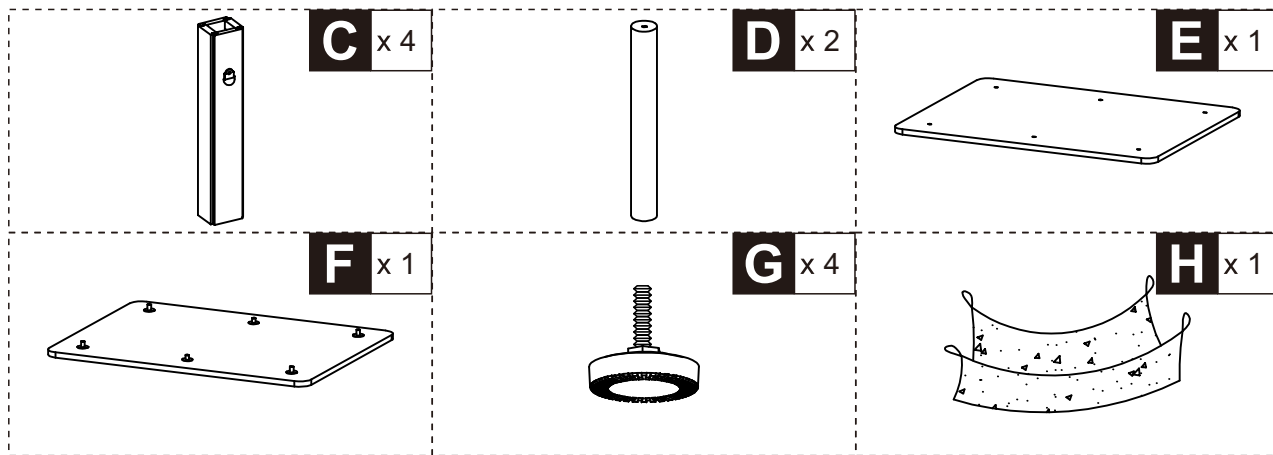
D30-521



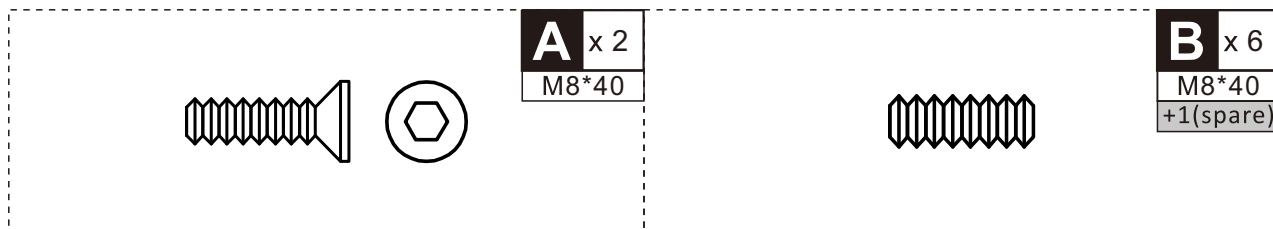
IMPORTANT, RETAIN FOR FUTURE REFERENCE: READ CAREFULLY

ASSEMBLY & INSTRUCTION MANUAL

PARTS

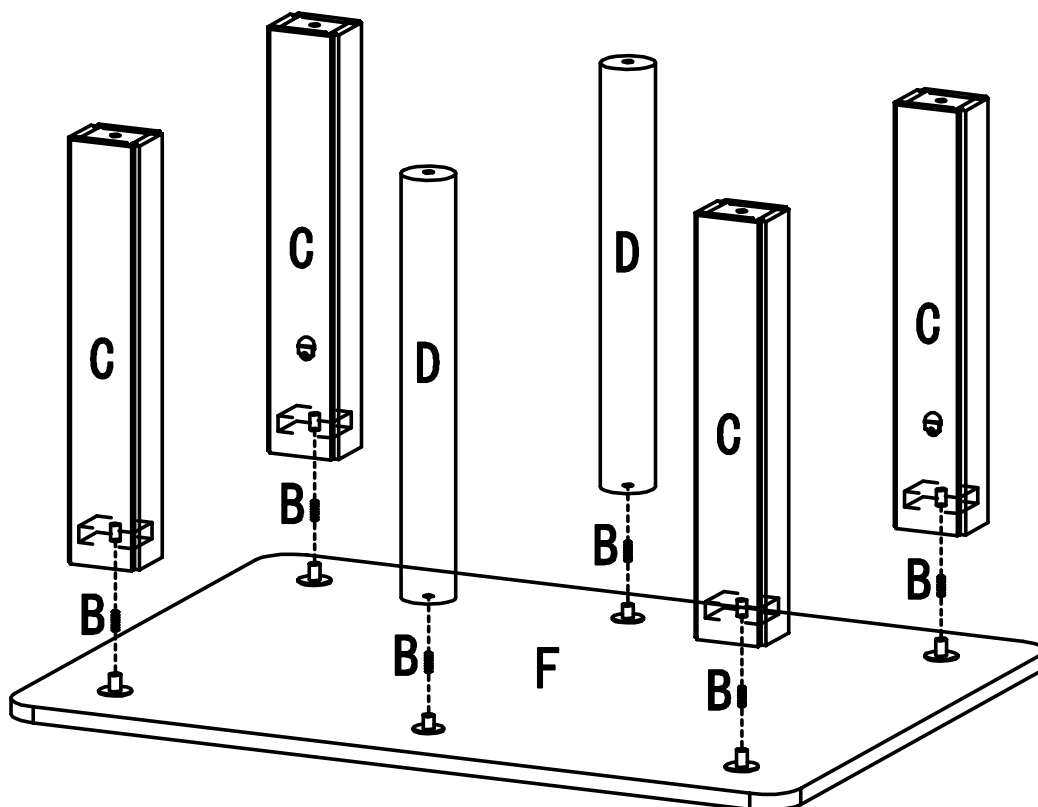


HARDWARE



B x 6
C x 4
D x 2
F x 1

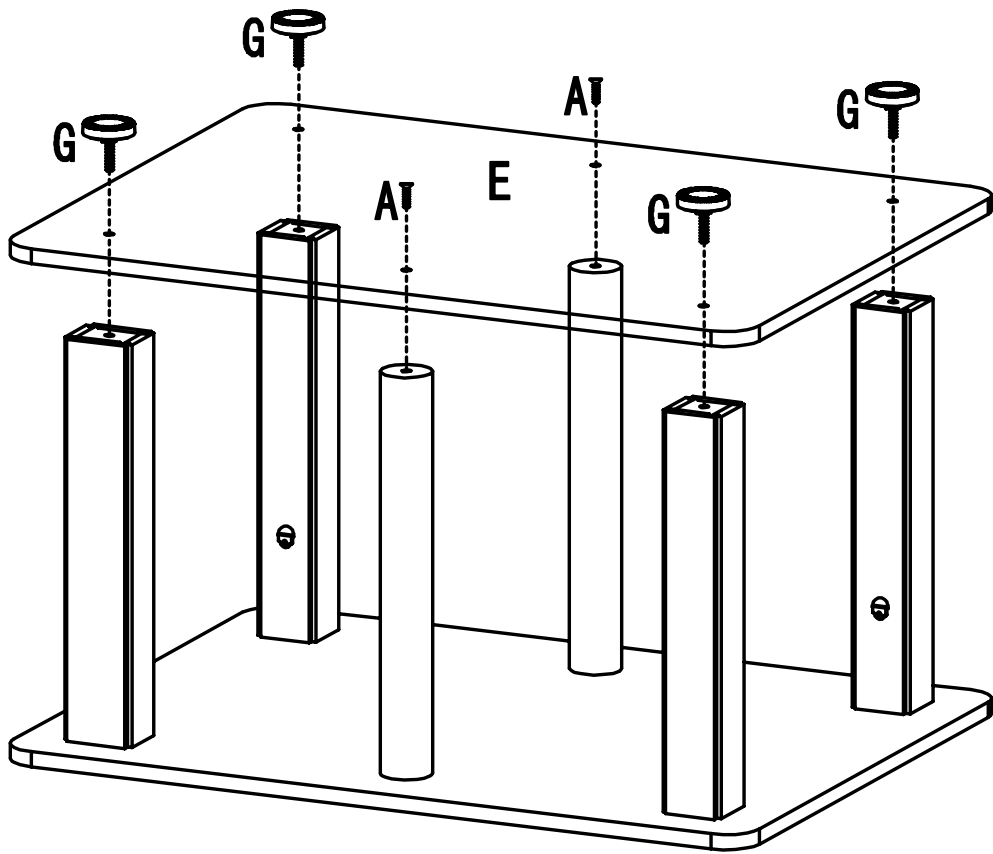
01



A x 2

E x 1

G x 4



H x 1

Done

