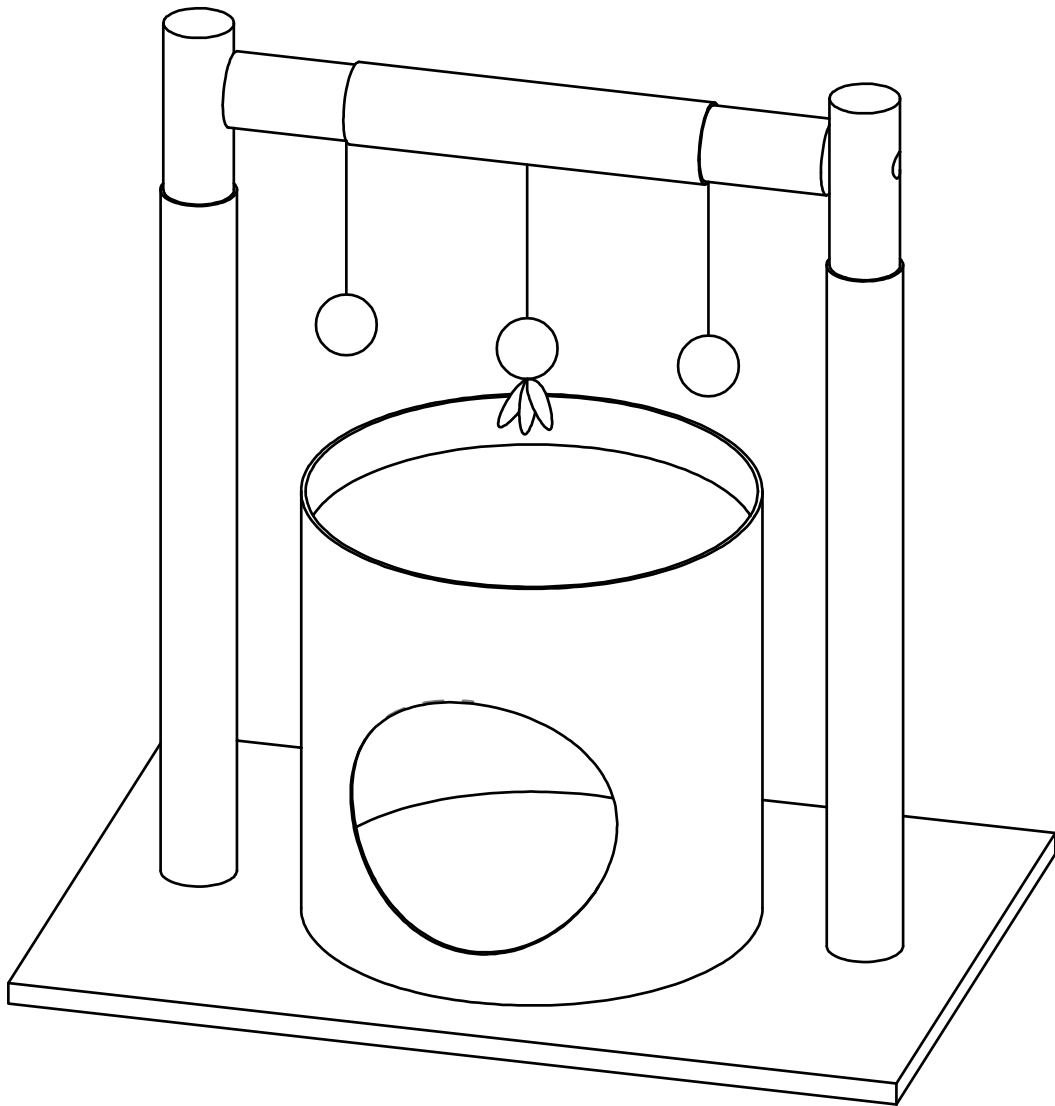


PawHut!

INdba065_GL

D30-519

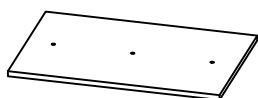


IMPORTANT, RETAIN FOR FUTURE REFERENCE: READ CAREFULLY

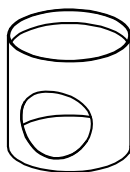
ASSEMBLY & INSTRUCTION MANUAL

PARTS

E x 1



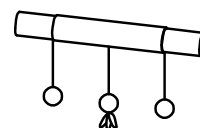
F x 1



G x 2

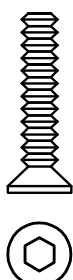


H x 1



HARDWARE

A x 2
M8*60



B x 2
M8*40



C x 1
M8*32



D x 1

